



BOSCH

Jig Saw

GST 54 | 0 601 58A 043

Table of Content

Spare parts list.....	2
Illustration - Type.....	4

Spare parts list

Item	Part Number	Description
1	2 609 100 145	Housing
2	2 604 220 423	Field 220-240V
3	2 604 010 558	Armature 220-240V
3/60	2 606 610 022	Fan
4	2 607 200 260	Switch
5	1 604 460 225	Power supply cord CN 2,65m 2 x 1,5mm H07 RN-F
6	2 600 703 007	Grommet Ø7 MM
7	2 601 035 001	Cable Clip
9	2 609 130 872	Manufacturer's nameplate
12	2 607 329 004	Suppression Capacitor
16	2 604 465 077	Brush Holder
18	2 603 410 001	Socket head cap screw M3x6,5-4.8
19	2 910 611 019	Tapping Screw DIN 7981-ST3,9x16-C-H
27	2 600 150 050	Spring Washer
28	2 600 102 656	Shim 0,2 MM
28	2 600 102 658	Shim 0,5 MM
29	1 619 P02 421	Counter Weight
30	2 600 101 673	Shim Ø 18,3 MM
31	2 606 319 073	Eccentric Cog Wheel Z=39
34	2 603 201 020	Bearing bolt
35	2 600 103 013	Supporting Disc
36	2 600 400 024	Guide Sleeve
39	1 619 P09 928	Holding Spring
40	1 619 P12 589	Lifting Rod
41	2 603 400 000	Clamp Screw
42	2 600 301 049	Sintered-Metal Bushing
43	2 601 020 007	Lubricating Felt
44	2 601 030 006	fixing plate
45	2 910 021 126	Socket head cap screw DIN 84-AM4x16-8.8
46	2 601 016 012	Base Plate
51	2 601 032 017	Profile Beading
52	1 907 950 004	Offset Screwdriver DIN 911, SW3
54	2 604 448 032	Connecting Cable L = 298 MM WHITE
57	2 604 610 009	Compression Spring

Spare parts list

Item	Part Number	Description
58	2 604 448 118	Connecting Cable L=213 MM BLUE
80	2 603 120 019	Detent Pin
83	2 603 105 052	Locking pin
808	1 601 11A 3H3	Nameplate
810	2 604 321 919	Carbon-Brush Set
813	1 600 301 900	Sintered-Metal Bushing
814	2 600 905 039	groove ball bearing 9x24x7
825	2 605 807 905	Bearing Bracket
832	2 600 917 904	Needle bearing
833	2 914 500 009	Screw and washer assembly DIN7985-M4x18Z1-4.8
847	2 608 135 901	Retaining Bracket
850	2 916 080 906	Locking Washer DIN 6799-3,2
855	2 910 611 020	Tapping Screw DIN 7981-ST3,9x19-C-H
856	2 910 611 018	Tapping Screw DIN 7981-ST3,9x13-C-H

Illustration - Type - E


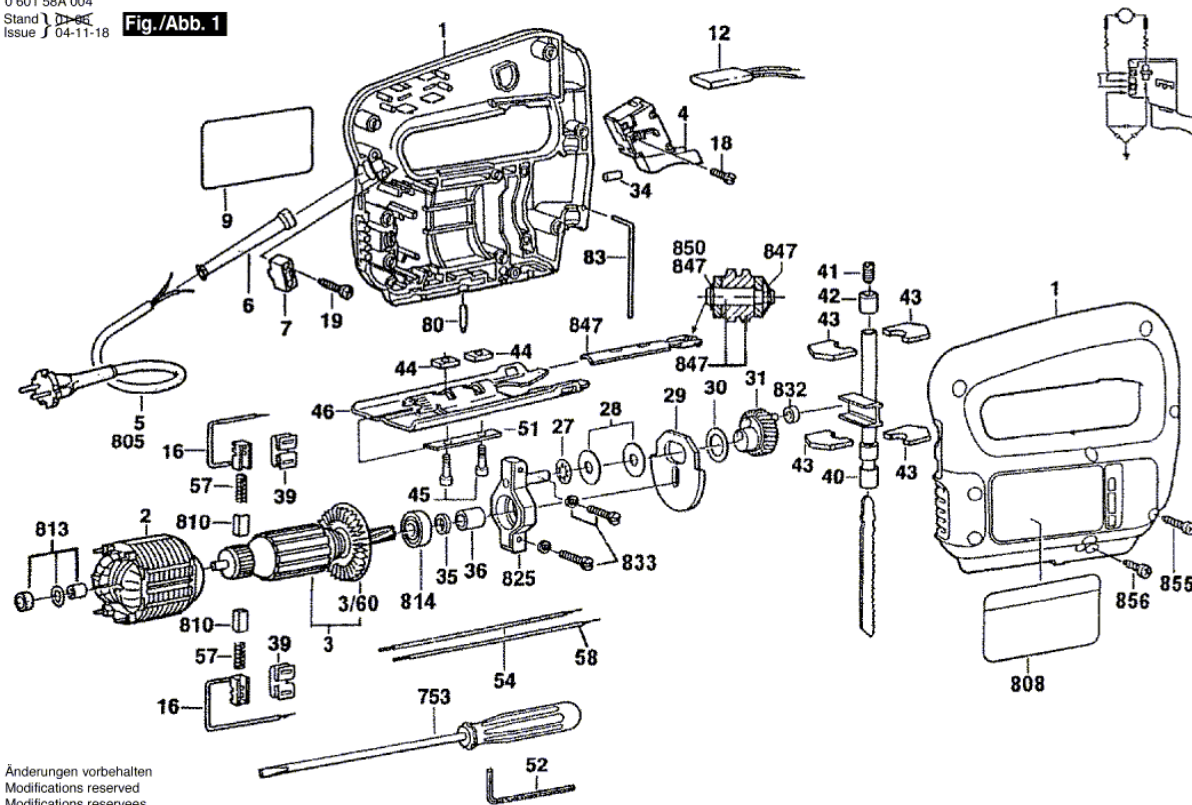
0 601 58A 004
 Stand | 
 Issue | 04-11-18

Fig./Abb. 1



Änderungen vorbehalten
 Modifications reserved
 Modifications reserves
 Salvo modificaciones