

## Orbital Sander - 0 601 288 139 - GSS 28 A

www.powertools-aftersaleservice.com



**BOSCH**

Item	Part Number	Description	Illustration	Price	Quantity	Price Group
	2 2 604 220 443	Field 110-120V		1	-,-	1 33
	3 2 604 010 910	Armature 110-120V		1	-,-	1 41
3/10	2 606 610 027	Fan		1	-,-	1 12
	4 2 607 200 260	Switch		1	-,-	1 23
	5 2 604 460 187	Power supply cord USA/CDN 2,68m 2 x 082mm SJ 18/2		1	-,-	1 26
	6 2 600 703 008	Grommet Ø8,2 MM		1	-,-	1 11
	7 2 601 035 001	Cable Clip		1	-,-	1 11
	9 2 601 118 586	Sticker		1	-,-	2 15
13	1 900 905 015	Deep-Groove Ball Bearing 625-2Z DIN 625		1	-,-	1 29
14	1 900 905 041	Deep-Groove Ball Bearing 8x22x7		1	-,-	1 25
16	2 604 330 016	Brush Holder		1	-,-	2 11
18	2 603 410 001	Socket head cap screw M3x6,5-4.8		1	-,-	2 11
19	2 603 490 022	Torx Oval-Head Screw 4x16		1	-,-	11 10
25	2 605 500 106	Housing Cover BLUE		1	-,-	1 22
28	2 608 000 126	Sander Plate		1	-,-	1 34
29	2 605 702 005	Flanged Fitting		1	-,-	1 13
30	2 601 005 015	Felt Strip		1	-,-	1 11
32	2 600 905 024	Deep-Groove Ball Bearing 12x28x8		1	-,-	3 26
33	2 600 917 003	Needle bearing Ø8x8 MM		1	-,-	1 14
34	2 606 625 006	Toothed Belt Wheel Z=68		1	-,-	1 27
35	2 606 625 005	Toothed Belt Wheel Z=28		1	-,-	1 15
36	2 606 110 000	Eccentric Shaft		1	-,-	1 32
37	2 600 232 000	Bearing Flange		1	-,-	1 28
38	2 605 510 014	Protective Cover		1	-,-	1 14
39	2 600 101 014	Shim washer		1	-,-	1 11
40	1 600 114 038	Conical Spring Washer		1	-,-	1 11
42	2 604 736 003	Toothed Belt Z= 84		1	-,-	1 17
43	2 600 306 003	Seal ring		1	-,-	1 18
45	2 602 329 022	Pressure Bar		1	-,-	2 11
47	2 602 098 011	Control Lever		1	-,-	2 13
48	2 600 591 004	Plug		1	-,-	1 11
49	2 601 330 002	Angle Piece		1	-,-	2 11
50	2 600 108 004	Felt Washer		1	-,-	1 11

Item	Part Number	Description	Illustration	Price	Quantity	Price Group
51	2 601 316 001	Hose Clamp	1	-,-	2	19
53	1 604 652 004	Spiral Spring	1	-,-	2	11
54	2 604 681 001	Split Pin	1	-,-	2	11
57	2 604 448 011	Cable L = 194 MM WHITE	1	-,-	1	12
58	2 604 448 000	Connecting Cable L=154 MM WHITE	1	-,-	1	11
59	2 601 022 000	Damping Plate	1	-,-	1	11
61	2 916 660 011	Spring retaining ring DIN 472-28x1,2 MM	1	-,-	1	11
62	1 900 210 012	O-Ring 15x2 MM	1	-,-	1	11
63	2 603 490 020	Torx Oval-Head Screw 4x8	1	-,-	3	10
64	2 603 490 003	Thread-forming tap. Screw DIN 7500 C M 3x8 MM	1	-,-	3	11
65	2 603 450 008	Thread-forming tap. Screw	1	-,-	6	11
67	2 914 501 028	Screw and washer assembly M 4x12 MM	1	-,-	4	10
69	2 910 861 118	Countersunk-Head Screw	1	-,-	1	11
70	2 910 021 138	Socket head cap screw DIN 84-BM4x40-8.8	1	-,-	4	13
71	2 916 201 002	Plain Washer DIN 7349-4,3-ST	1	-,-	4	11
76	2 603 490 017	Torx Oval-Head Screw 3x10	1	-,-	4	10
77	2 601 314 002	index turning toolholder	1	-,-	1	15
78	2 910 011 128	Socket head cap screw DIN 84-AM4x18-5.8	1	-,-	2	10
79	2 605 500 107	Handle Cover	1	-,-	1	16
81	2 915 011 005	Hex Nut DIN 934 -M4-m-8	1	-,-	2	10
82	2 604 448 003	Cable	1	-,-	1	12
83	2 604 448 049	Connecting Cable L=136MM WHITE	1	-,-	2	11
90	2 606 610 026	Fan	1	-,-	1	14
751	2 608 005 901	Outer Rim	N/A	-,-	1	-
774	2 605 411 900	Dust Bag	1	-,-	1	-
801	2 605 104 894	Housing Section BLUE	1	-,-	1	35
810	2 604 321 904	Carbon-Brush Set	1	-,-	1	22
826	2 608 000 900	Pivot Plate	1	-,-	1	39
827	2 608 000 903	Swing-Plate	1	-,-	1	42
831	1 605 133 036	Handle BLACK	1	-,-	1	20
888	1 601 106 032	Nameplate 26x52 MM	1	-,-	1	13

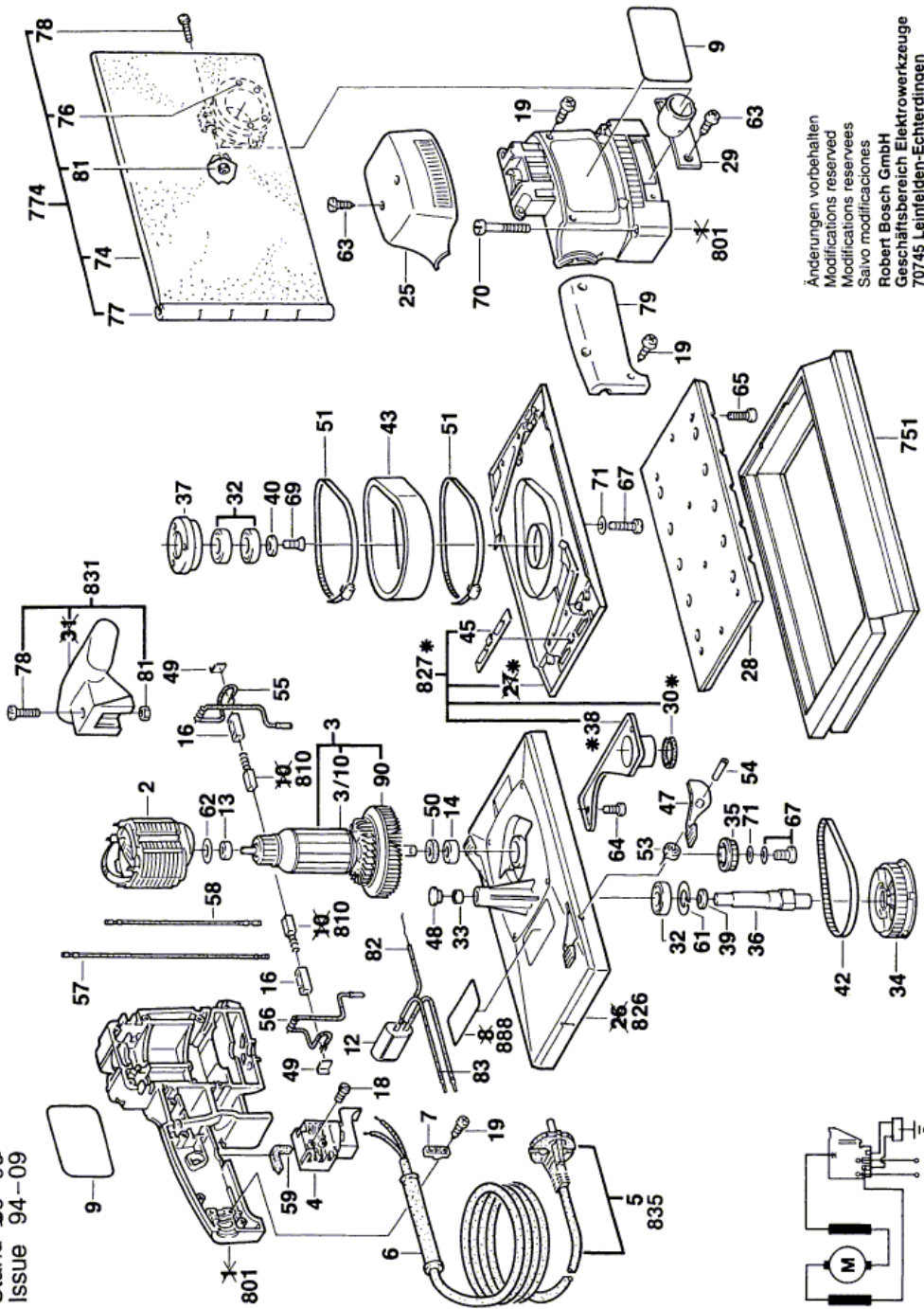
## Product information Orbital Sander - 0 601 288 139 - GSS 28 A

Product No	0 601 288 139
Description	251.720; Orbital Sander
DIN-Text	
ID_Text_Ext	0
Trading_Description	GSS 28 A
Voltage_1	115 V
ID_Country_Product	USA

Illustration - Type E

**Typ 0 601 288 1 . . = GSS 28 A Neue Ausführung; New Execution; Nouveau Exécution; Nueva Ejecución = \*FD851→**

Stand ~~89-86~~  
Issue 94-09



Anderungen vorbehalten  
Modifications reserved  
Modificaciones reservadas  
Saivo modificaciones  
Robert Bosch GmbH  
Geschäftsbereich Elektrowerkzeuge  
70745 Leinfelden-Echterdingen

Information subject to change without further notice.