



BOSCH

Cordless Drill Driver

GSR 9,6-2 | 3 601 J18 L80

Table of Content

Spare parts list.....	2
Illustration - Type.....	3

Cordless Drill Driver | GSR 9,6-2 | 3 601 J18 L80

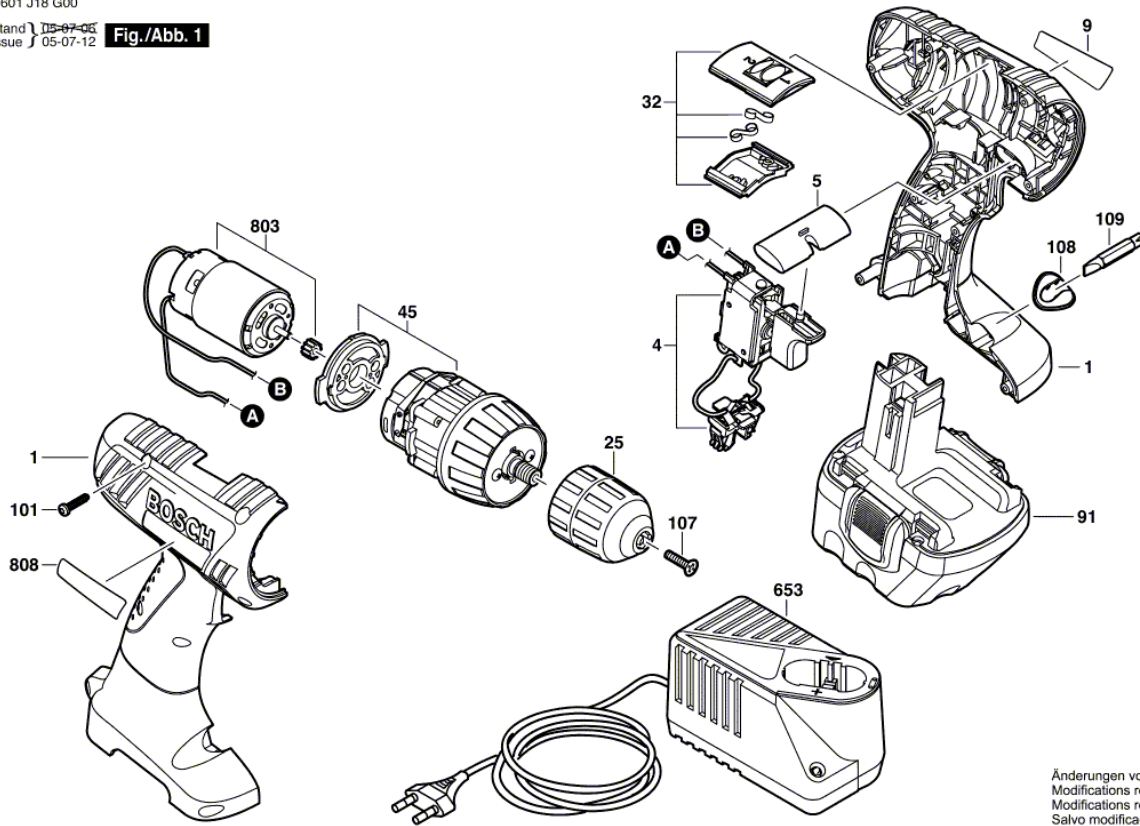
Spare parts list

Item	Part Number	Description
1	2 609 100 374	Housing BLUE
4	2 609 199 070	On-Off Switch
5	2 609 100 744	Button
9	2 609 130 865	Manufacturer's nameplate GSR 9,6-2
25	2 609 110 495	Keyless Chuck Ø1,0-10 MM, 3/8
32	2 609 120 202	Regulator
45	2 609 110 385	Planetary Gear Train
91	2 607 335 707	Slide-In Accu Package 9,6V,1,5Ah, NiCd
101	2 609 110 201	Torx Flat-Head Screw 3x16
107	2 609 110 721	Countersunk-Head Screw M5x20
108	2 607 001 443	Toolholder
109	2 609 160 063	Screwdriver Bit
653	2 607 224 727	Fast Charger CN 220/7,2-14,4V, 1h
803	2 609 120 258	DC motor 9,6V
808	2 609 131 123	Nameplate

Illustration - Type - E

3 601 J18 G00
 Stand } 05-07-05
 Issue } 05-07-12

Fig./Abb. 1



Änderungen vorbehalten
 Modifications reserved
 Modifications reserves
 Salvo modificaciones