

## Batt-Oper Screwdriver - 0 601 936 7B5 - GSR 7,2 VE...

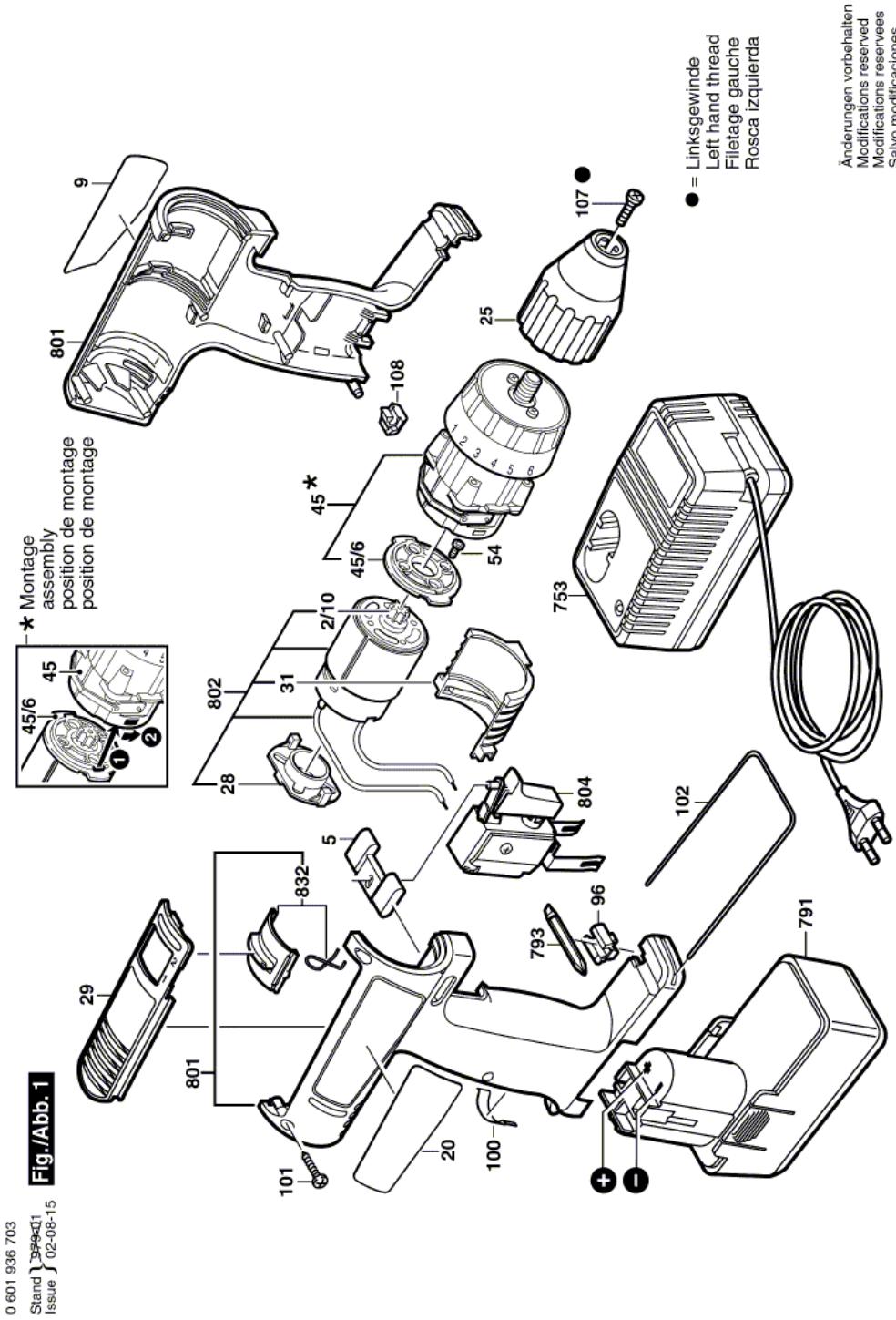
www.powertools-aftersaleservice.com



**BOSCH**

| Item | Part Number   | Description                                   | Illustration | Price | Quantity | Price Group |
|------|---------------|---|--------------|-------|----------|-------------|
| 2/10 | 2 606 316 161 | Pinion Z=12                                   | 1            | -,-   | 1        | 17          |
| 5    | 2 601 099 055 | Adjusting Slide RED                           | 1            | -,-   | 1        | 15          |
| 9    | 2 601 118 479 | Manufacturer's nameplate SUNNY SIDE           | 1            | -,-   | 1        | 14          |
| 20   | 2 601 118 480 | Reference Plate SHADOW SIDE                   | 1            | -,-   | 1        | 14          |
| 25   | 2 608 572 214 | Keyless Chuck                                 | 1            | -,-   | 1        | 38          |
| 28   | 2 605 719 018 | Adapter Insert BLACK                          | 1            | -,-   | 1        | 11          |
| 29   | 2 605 510 130 | Insert Piece BLACK                            | 1            | -,-   | 1        | 15          |
| 31   | 2 608 040 098 | Inserted Part                                 | 1            | -,-   | 1        | 13          |
| 45   | 2 606 200 065 | Planetary Gear Train                          | 1            | -,-   | 1        | 39          |
| 45/6 | 2 605 719 008 | Intermediate Flange                           | 1            | -,-   | 1        | 15          |
| 54   | 2 603 414 048 | Torx SH cap screw M3x5-8.8-Z                  | 1            | -,-   | 2        | 11          |
| 96   | 2 608 040 131 | Support                                       | 1            | -,-   | 1        | 12          |
| 100  | 2 601 322 016 | Clamp Spring                                  | 1            | -,-   | 1        | 14          |
| 101  | 2 603 490 018 | Torx Oval-Head Screw 3x18                     | 1            | -,-   | 6        | 10          |
| 102  | 2 601 329 041 | Retaining Bracket                             | 1            | -,-   | 1        | 13          |
| 107  | 2 609 110 721 | Countersunk-Head Screw M5x20                  | 1            | -,-   | 1        | 11          |
| 108  | 2 602 180 001 | Support                                       | 1            | -,-   | 1        | 11          |
| 753  | 2 607 224 431 | Fast Charger USA 120/7,2-24V, 1h              | 1            | -,-   | 1        | 48          |
| 753  | 2 607 224 708 | Fast Charger USA 120/7,2-14,4V, 30 MIN.       | 1            | -,-   | 1        | -           |
| 791  | 2 607 335 150 | Accumulator Battery 7,2V,2,0Ah,NiCd           | 1            | -,-   | 1        | -           |
| 793  | 2 608 521 018 | Screwdriver Blade                             | 1            | -,-   | 1        | 18          |
| 801  | 2 605 104 824 | Housing Section BLUE                          | 1            | -,-   | 1        | 26          |
| 802  | 2 607 022 945 | DC motor 7,2V                                 | 1            | -,-   | 1        | 32          |
| 804  | 2 607 200 353 | On-Off Switch                                 | 1            | -,-   | 1        | 39          |
| 832  | 2 601 099 126 | Adjusting Slide                               | 1            | -,-   | 1        | 23          |
| 899  | 0 601 936 723 | Batt-Oper Screwdriver BATTERY WITHOUT CHARGER | N/A          | -,-   | 1        | -           |

Illustration - Type E



Information subject to change without further notice.