



BOSCH

Drill Screwdriver

GSR 6-25 TE | 3 601 D45 081

Table of Content

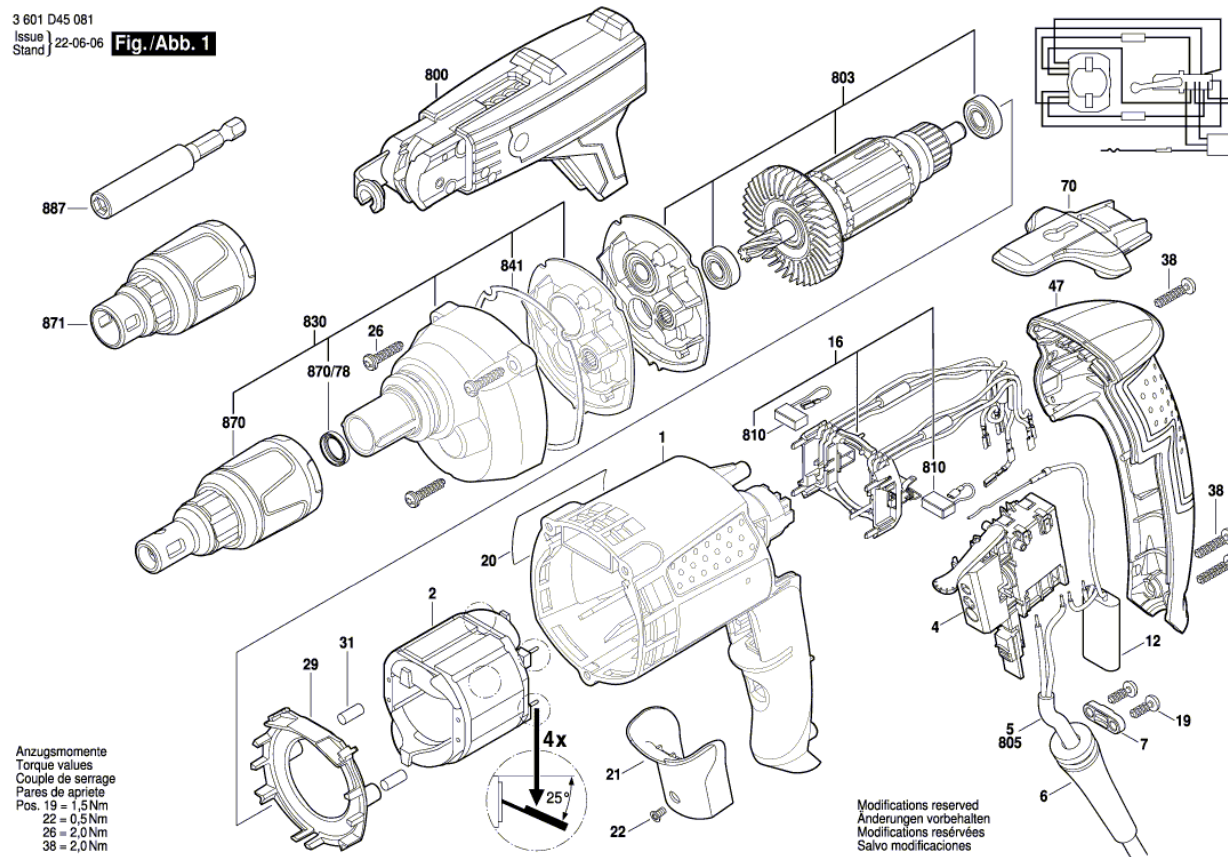
Spare parts list.....	2
Illustration - Type.....	3

Spare parts list

Item	Part Number	Description	
1	2 605 108 083	Motor Housing	DARK BLUE
2	2 604 220 456	Field	220-240V
4	2 607 200 638	Switch	
5	1 604 460 223	Power supply cord H05 RN-F	CN 2,65m 2 x 1,0mm
6	2 600 703 017	Grommet	Ø6,4-Ø7,2x76 MM
7	2 601 035 004	Cable Clip	
12	2 607 329 151	Suppression Filter	
16	2 605 807 124	Brush Plate	
19	2 603 490 021	Torx Oval-Head Screw	4x12
20	2 601 111 965	Reference Plate	
21	2 605 500 196	Switch Cover	RED
22	2 910 541 050	Countersunk-Head Screw M3x8-8.8	DIN 7991
26	2 603 490 024	Torx Oval-Head Screw	4x25
29	2 601 328 092	Air-Deflector Ring	
31	2 602 391 004	Rubber Buffer	
38	2 603 490 023	Torx Oval-Head Screw	4x20
47	2 605 132 073	Housing Cover	DARK BLUE
70	2 601 329 127	Belt holder clip	
800	2 607 020 396	Hopper	
803	2 604 011 941	Armature	230V
810	2 604 321 943	Carbon-Brush Set	
830	2 606 200 268	Gear Unit	
841	2 601 015 097	Seal	
870	2 600 460 049	Depth-Gauge	
870/78	3 600 290 502	Seal Ring	
871	2 600 460 050	Depth-Gauge	
887	3 603 008 500	Toolholder	1/4"

Illustration - Type - E

3 601 D45 081
 Issue | 22-06-06
 Stand | **Fig./Abb. 1**



Anzugsmomente
 Torque values
 Couple de serrage
 Pares de apriete
 Pos. 19 = 1,5Nm
 22 = 0,5Nm
 26 = 2,0Nm
 38 = 2,0Nm

Modifications reserved
 Änderungen vorbehalten
 Modifications réservées
 Salvo modificaciones