

Cordless Drill Driver - 3 601 JE1 1D0 - GSR 18 V-E...

www.powertools-aftersaleservice.com

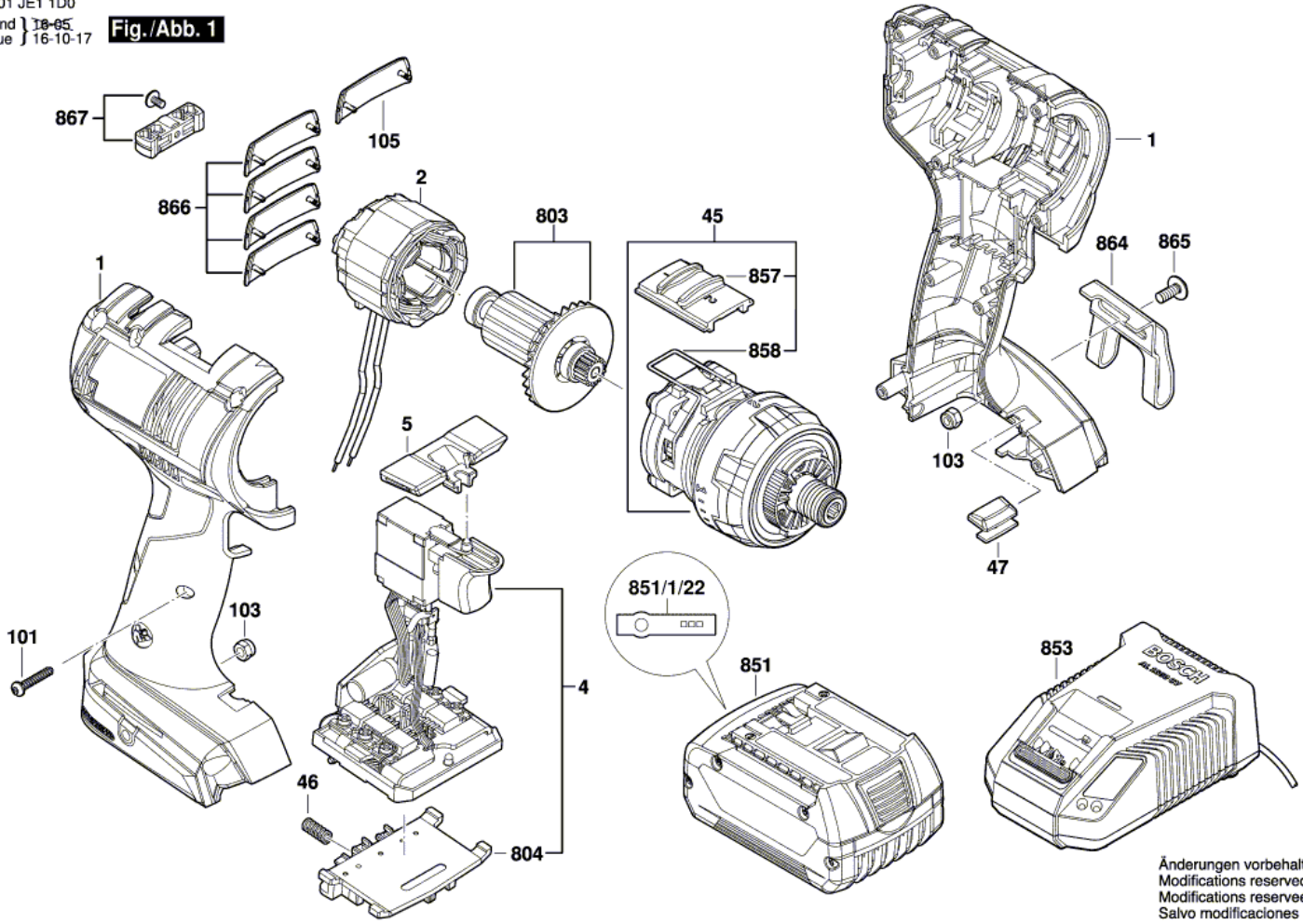


BOSCH

Item	Part Number	Description	Illustration	Price	Quantity	Price Group
1	2 609 101 226	Housing	1	-,-	1	33
2	1 619 P08 583	Stator 18V	1	-,-	1	38
4	1 600 A00 1BG	Electronic Module	1	-,-	1	45
5	2 609 101 227	Adjusting lever	1	-,-	1	10
45	2 609 199 714	Gear Box	1	-,-	1	45
46	1 609 280 477	Compression Spring	1	-,-	1	11
47	2 609 100 858	Lens	1	-,-	1	11
101	2 609 110 353	Torx Oval-Head Screw	1	-,-	10	10
103	2 609 110 835	Nut	1	-,-	2	11
105	2 609 101 409	Color clip	1	-,-	1	11
803	2 609 199 671	Rotor 14,4-18V	1	-,-	1	37
804	1 609 280 478	Contact retainer	1	-,-	1	26
851	1 607 A35 0BG	Battery Pack EU GBA 18V 2.0Ah Li SCM	1	-,-	1	42
851/1/22	2 601 115 537	Sticker	1	-,-	1	13
853	2 607 225 437	Fast Charger BR 220/10,8-18V,1h	1	-,-	1	46
853	2 607 225 431	Fast Charger RC 115/10,8-18V, 1h	1	-,-	1	47
853	2 607 225 589	Fast Charger AR 230/10,8-18V, 1h	1	-,-	1	46
854	1 602 025 090	Auxiliary Handle	2	-,-	1	29
854/120	1 602 025 07H	Auxiliary Handle	2	-,-	1	23
854/124	1 611 316 021	Clamping Band Ø50 MM	2	-,-	1	14
854/125	1 613 490 002	T-Head Bolt M8x40 MM	2	-,-	1	14
854/802	1 617 000 475	Support clamp	2	-,-	1	22
857	2 609 101 293	Switch Slide	1	-,-	1	12
858	2 609 111 078	Switch Spring	1	-,-	1	10
860	2 609 199 634	Chuck attachment	2	-,-	1	44
861	2 609 199 635	Right-angle attachment	2	-,-	1	44
863	2 609 199 816	Attachment	2	-,-	1	48
864	2 609 110 956	Clip	1	-,-	1	20
865	2 609 110 834	Screw	1	-,-	1	11
866	2 609 199 746	Color clip	1	-,-	1	13
867	2 609 199 748	Bit holder	1	-,-	1	12

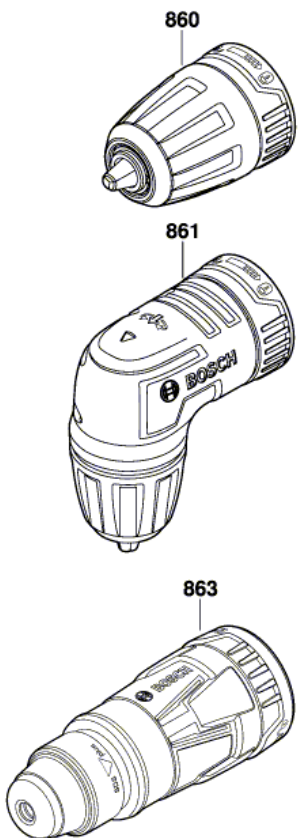
3 601 JE1 ID0
 Stand } 18-05
 Issue } 16-10-17

Fig./Abb. 1

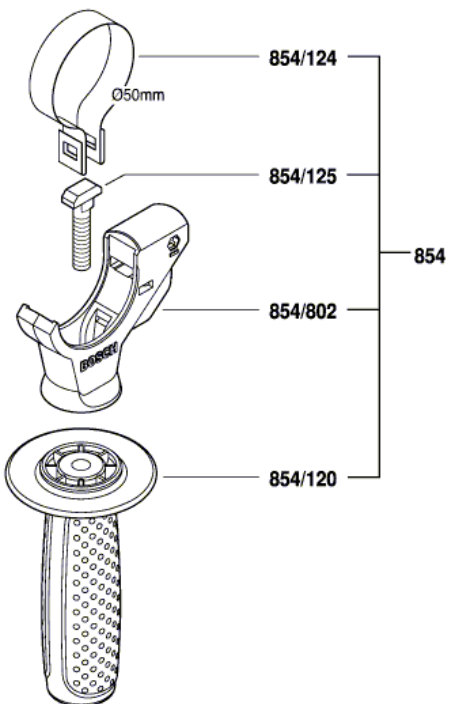


Änderungen vorbehalten
 Modifications reserved
 Modificaciones reservées
 Salvo modificaciones

Illustration - Type E



Änderungen vorbehalten
Modifications reserved
Modificaciones reservées
Salvo modificaciones



3 601 JE1 1D0
Stand } 16-05
Issue } 17-01-19

Fig./Abb. 2

Information subject to change without further notice.