



BOSCH

Cordless Drill Driver

GSR18V-975C | 3 601 JG0 111

Table of Content

Spare parts list.....	2
Illustration - Type.....	3

Cordless Drill Driver | GSR18V-975C | 3 601 JG0 111

Spare parts list

Item	Part Number	Description	Illustration
1	1 600 A00 M51	Housing	1
3	2 609 170 278	O-Ring	1
4	1 607 233 5DC	Electronics Module	1
4/3	1 607 503 377	Printed-Board Assembly	1
5	2 609 101 551	Adjusting lever	1
7	1 600 A00 RU9	Cover unit	1
9	2 610 067 343	Manufacturer's nameplate	1
16	1 607 503 333	Printed-Board Assembly	1
17	1 600 A00 M53	Cover Panel	1
25	1 600 A01 YE8	Keyless Chuck	1
45	1 600 A00 3BB	Gear Box	1
46	1 609 280 477	Compression Spring	1
47	2 609 101 490	Lens	1
101	2 609 110 353	Torx Oval-Head Screw	1
107	2 603 421 229	Countersunk-Head Screw LEFTHAND THREADS	M6x23 1
181	1 600 A01 4J4	Warning Label	1
182	2 610 045 280	Warning Plate	1
655	2 609 199 748	Bit holder	1
656/1	2 609 111 584	Clip	1
656/2	2 609 110 834	Screw	1
803	1 600 A00 XG0	Motor Spare Parts Set	1
804	1 609 280 820	Contact retainer	18V 1
808	1 601 11A 8UC	Nameplate	1
857	2 609 101 554	Switch Slide	1
858	2 609 112 036	Switch Spring	1
91	2 607 336 819	Battery Pack	USA BAT620 18V 4,0Ah 2
91/1/22	2 601 115 537	Sticker	2
650	1 602 025 07X	Auxiliary Handle	2
653	2 607 225 927	Charger	USA BC 1880 CV 13,3-18V/120V 2

Illustration - Type - E

3 601 JG0 110
 Issue | 18-09-18
 Stand | Fig./Abb. 1

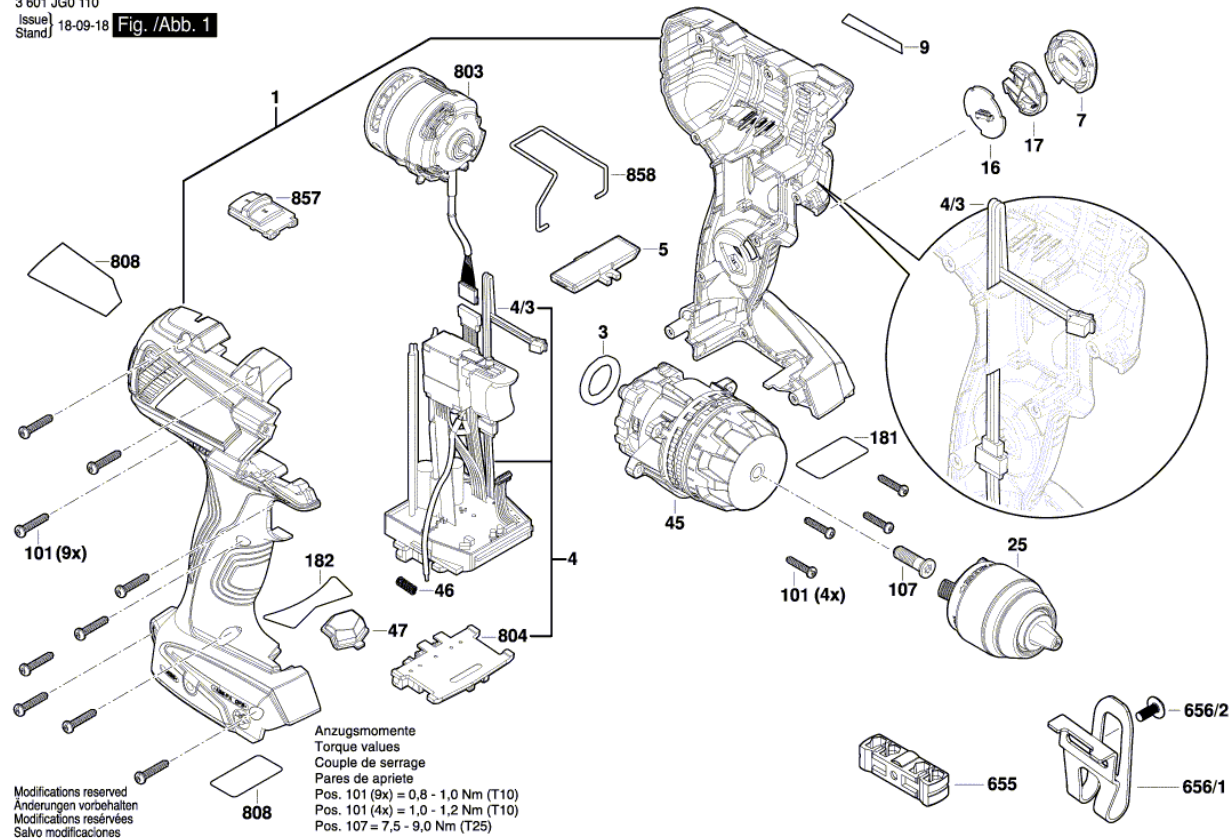
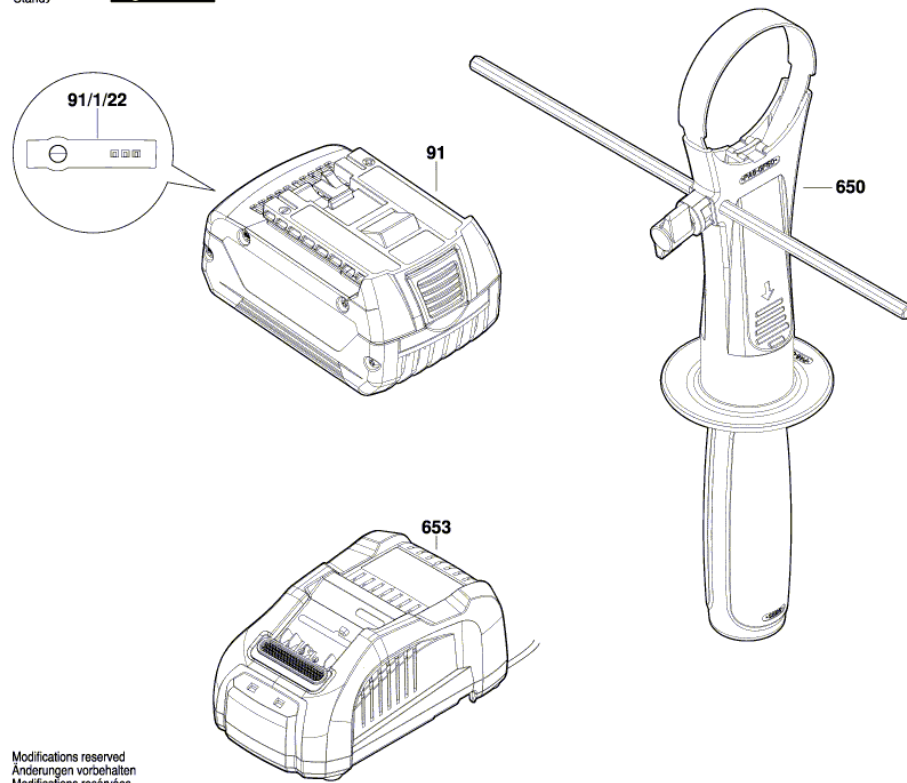


Illustration - Type - E

3 601 JG0 110
Issue/ Stand | 18-06-26 Fig. /Abb. 2



Modifications reserved
Änderungen vorbehalten
Modifications réservées
Salvo modificaciones