



**BOSCH**

# Cordless Drill Driver

GSR 14,4 V | 3 601 J95 480

---

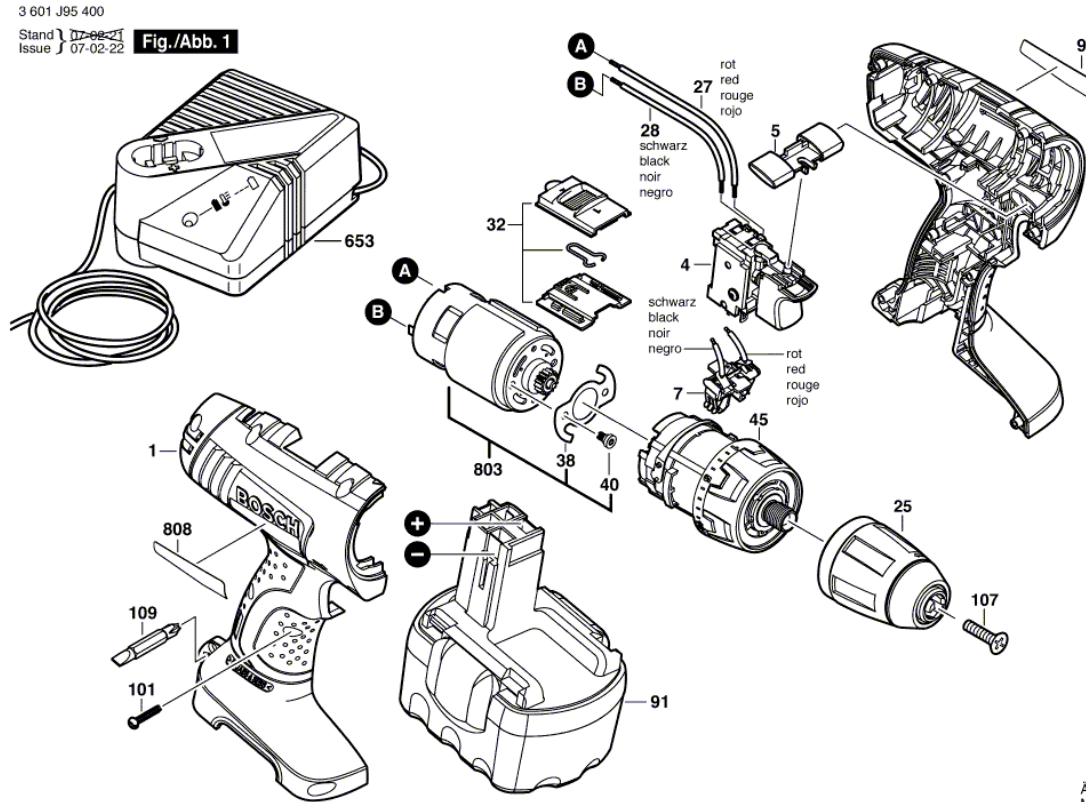
## Table of Content

Spare parts list.....	2
Illustration - Type.....	3

**Cordless Drill Driver | GSR 14,4 V | 3 601 J95 480****Spare parts list**

<b>Item</b>	<b>Part Number</b>	<b>Description</b>
1	2 609 100 502	Housing
4	2 607 202 014	Switch      BLACK
5	2 609 100 504	Reverse-Transfer Lever
7	2 609 199 125	Contact retainer      RED
9	2 609 131 282	Manufacturer's nameplate      GSR 14,4V
25	2 609 110 660	Keyless Chuck      10 MM
27	2 609 120 264	Connecting Cable      RED
28	2 609 120 263	Connecting Cable      BLACK
32	2 609 199 119	Slide Switch
38	2 609 110 633	Tab Washer
40	2 609 110 634	Screw
45	2 609 199 343	Planetary Gear Train
91	2 607 335 743	Slide-In Accu Package      14,4V,2,0Ah,NiCd
101	2 609 110 201	Torx Flat-Head Screw      3x16
107	2 609 110 635	Pan head screw      M 6x30
109	2 609 160 063	Screwdriver Bit
653	2 607 225 495	Fast Charger      CN 220/7,2-24V, 1h
803	2 609 199 127	DC motor      14,4V
808	2 609 131 939	Nameplate

Illustration - Type - E



Änderungen vorbehalten  
 Modifications reserved  
 Modifications reserves  
 Salvo modificaciones