



BOSCH

Cordless Drill Driver

GSR12V-300FC | 3 601 JH3 010

Table of Content

| | |
|--------------------------|---|
| Spare parts list..... | 2 |
| Illustration - Type..... | 3 |

Spare parts list

| Item | Part Number | Description | Illustration |
|-------------|--------------------|--|---------------------|
| 1 | 1 600 A01 3ZK | Housing | 1 |
| 4 | 1 607 233 5HJ | Electronic Module | 1 |
| 9 | 1 601 11A 6L6 | Manufacturer's nameplate | 1 |
| 20 | 1 600 A01 6R3 | Lens | 1 |
| 32 | 1 600 A01 3HK | Switchover Unit | 1 |
| 41 | 1 601 11C 2MP | Sticker | 1 |
| 42 | 1 601 11C 2NE | Sticker | 1 |
| 45 | 1 600 A01 95M | Gear Box | 1 |
| 70 | 2 609 110 537 | Clip | 1 |
| 91 | 1 607 A35 0C8 | Battery Pack BAT 414 10,8/12V 2,0Ah | 1 |
| 101 | 2 609 110 883 | Screw | 1 |
| 102 | 1 600 A01 6R4 | Cap Nut | 1 |
| 105 | 1 600 A01 8UV | Color clip | 1 |
| 653 | 2 607 225 519 | Fast Charger USA 120/3,6-10,8V,1h | 1 |
| 657 | 1 600 A02 47P | Clip | 1 |
| 658 | 1 600 A02 0HN | Bit holder | 1 |
| 802 | 1 600 A01 M97 | Brushless DC motor | 1 |
| 805 | 1 607 000 E1T | Switch | 1 |
| 808 | 1 601 11A 6PX | Nameplate | 1 |
| 855 | 1 600 A00 5HR | Chuck attachment | 2 |
| 856 | 1 600 A00 5HS | Bit holder | 2 |
| 857 | 1 600 A00 5HP | Right-angle attachment | 2 |
| 858 | 1 600 A00 5HN | Eccentric attachment | 2 |

Illustration - Type - E

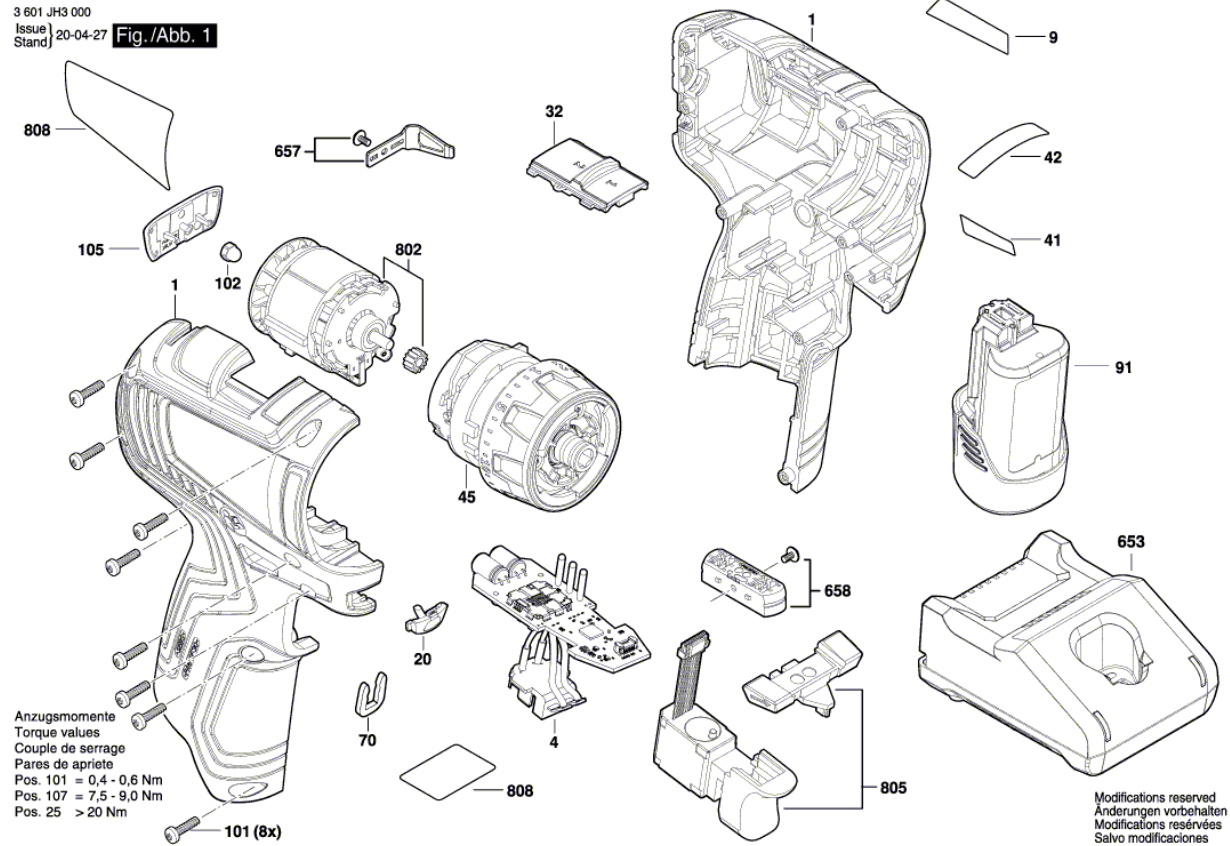
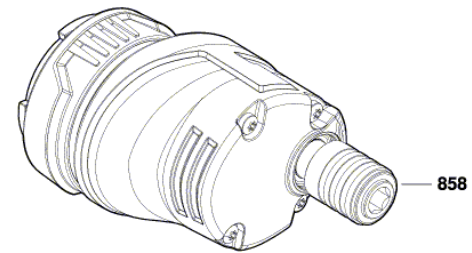
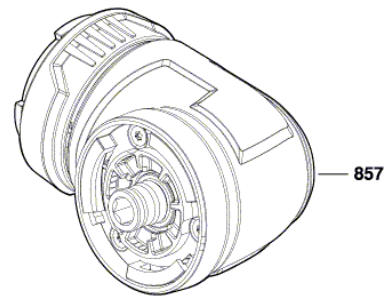
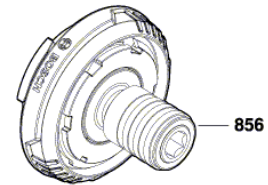
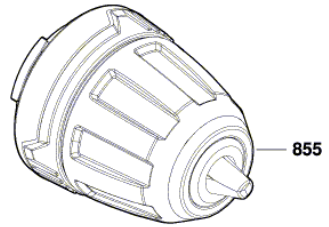


Illustration - Type - E

3 601 JH3 000
Issue | 19-02-12
Stand | **Fig./Abb. 2**



Modifications reserved
Änderungen vorbehalten
Modifications réservées
Salvo modificaciones