



BOSCH

Cordless Drill Driver

GSR 10,8 V-LI | 3 601 J92 280

Table of Content

Spare parts list.....	2
Illustration - Type.....	3

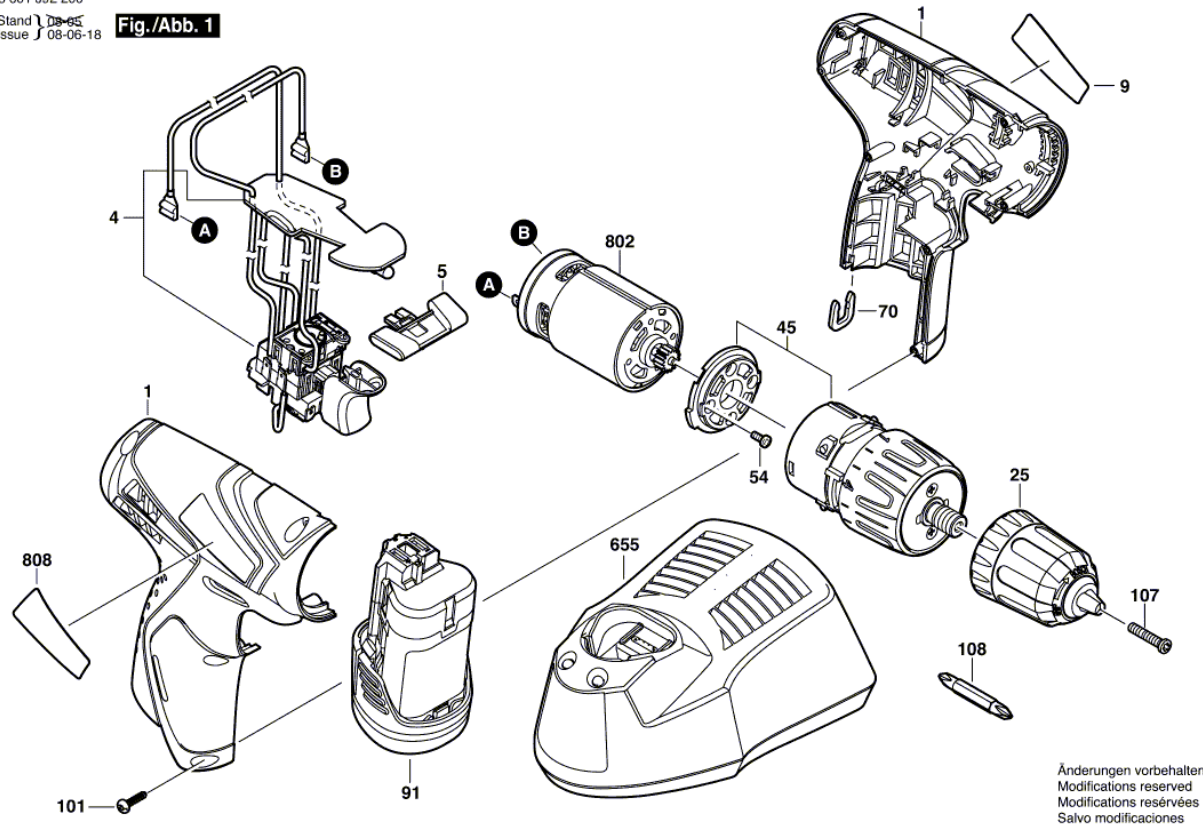
Spare parts list

Item	Part Number	Description
1	2 609 100 564	Housing BLUE
4	1 607 233 352	Electronic Module
5	2 601 099 153	Adjusting Slide RED
9	2 609 134 471	Manufacturer's nameplate TSR 1080Q-Li
25	2 609 110 798	Keyless Chuck
45	2 606 200 242	Gear Box
54	2 603 414 048	Torx SH cap screw M3x5-8.8-Z
70	2 609 110 537	Clip
91	1 607 A35 0C5	Battery Pack GBA 12V 2.0Ah Li SCM
101	2 603 415 206	Torx Oval-Head Screw
107	2 609 110 804	Countersunk-Head Screw
108	2 609 160 063	Screwdriver Bit
655	2 607 225 303	Fast Charger CN 220/10,8V, 30 MIN.
802	2 607 022 838	DC motor 10,8V
808	2 609 131 951	Nameplate

Illustration - Type - E

3 601 J92 200
 Stand } 08-05
 Issue } 08-06-18

Fig./Abb. 1



Änderungen vorbehalten
 Modifications reserved
 Modifications réservées
 Salvo modificaciones