

Cordless Screwdriver - 0 601 927 734 - GSR 9,6 VET

www.powertools-aftersaleservice.com



BOSCH

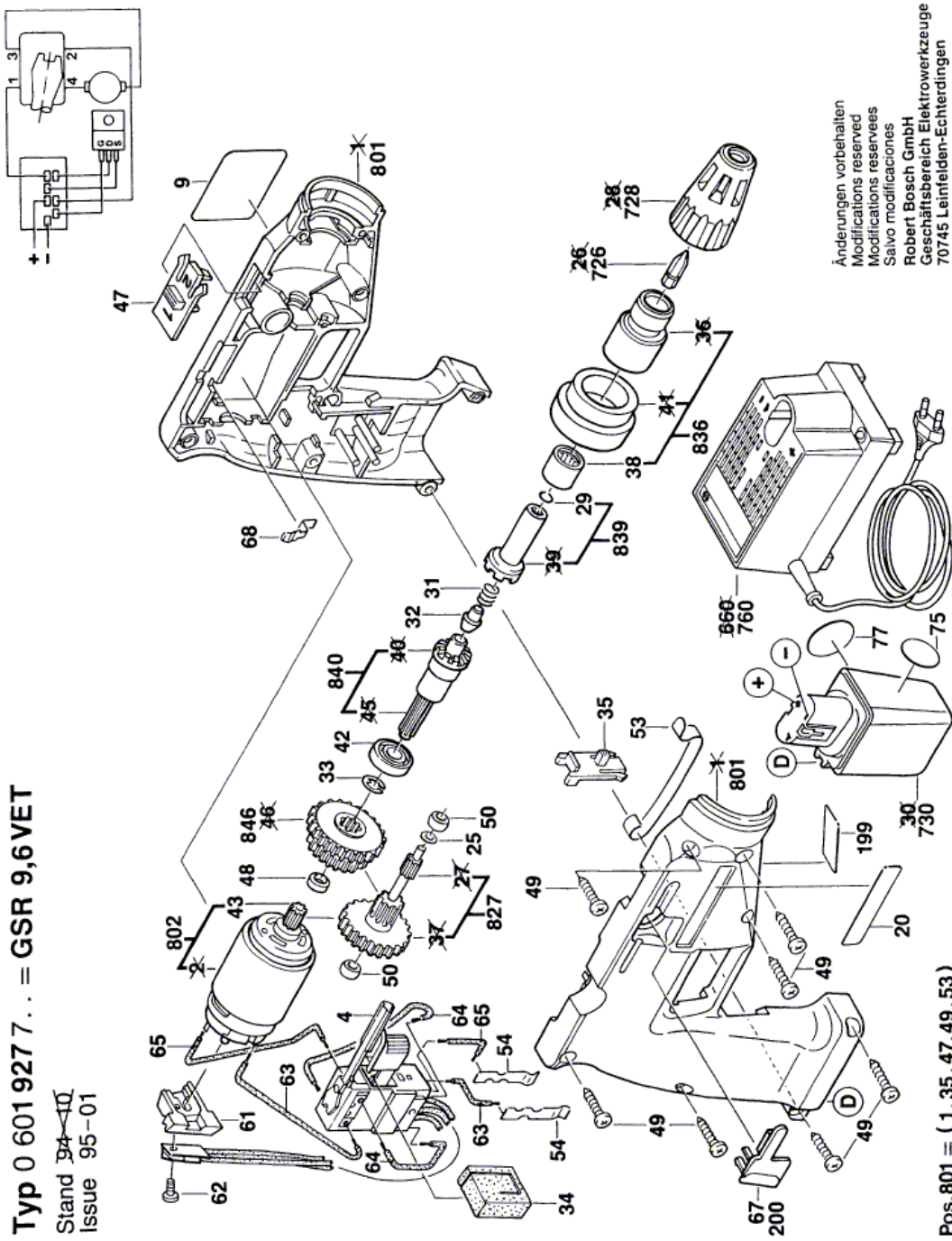
Item	Part Number	Description	Illustration	Price	Quantity	Price Group
4	2 607 200 302	On-Off Switch	1	-,-	1	37
9	2 601 110 781	Sticker SUNNY SIDE	1	-,-	1	12
20	2 601 110 606	Sticker SHADOW SIDE	1	-,-	1	11
25	2 600 100 636	Shim 0,3 MM THICK	1	-,-	1	11
29	2 604 601 004	Retaining ring	1	-,-	1	11
31	2 604 611 040	Compression Spring	1	-,-	1	11
32	2 603 132 002	Pressure Spindle	1	-,-	1	11
33	2 916 650 001	Spring retaining ring DIN 471-10x1MM-FSt	1	-,-	1	10
34	2 601 010 038	Dust Protection	1	-,-	1	11
35	2 601 099 026	Locking Lever 36,5 MM	1	-,-	1	11
38	2 600 914 015	Needle bearing	1	-,-	1	19
42	1 900 905 120	Deep-Groove Ball Bearing 10x26x8	1	-,-	1	22
43	2 606 316 112	Pinion Z=11	1	-,-	1	16
47	2 601 099 027	Adjusting Slide BLACK	1	-,-	1	11
48	2 600 301 011	Sintered-Metal Bushing	1	-,-	1	11
49	2 603 490 022	Torx Oval-Head Screw 4x16	1	-,-	7	10
50	2 600 302 002	Sintered-Metal Bushing	1	-,-	2	11
53	2 601 251 003	Holding Spring Ø8,7 MM	1	-,-	1	14
54	2 601 324 012	Contact Spring	1	-,-	2	12
61	2 605 715 000	Heat Sink	1	-,-	1	16
62	2 910 641 050	Oval-Head Screw DIN 7985-M3x8-4.8	1	-,-	1	10
63	2 604 413 005	Cable L=52 MM WHITE	1	-,-	2	11
64	2 604 413 004	Cable L=79 MM WHITE	1	-,-	2	11
65	2 604 413 009	Connecting Cable	1	-,-	2	-
68	2 601 250 002	Holding Spring	1	-,-	1	11
75	2 601 110 461	Sticker RECHARGABLE BATTERY	N/A	-,-	1	11
77	2 601 110 230	Sticker YELLOW	N/A	-,-	1	11
200	2 605 510 027	Filler Piece BLUE	1	-,-	1	11
726	2 607 000 239	Screwdriver Blade	1	-,-	1	-
728	2 600 460 007	Depth-Gauge	1	-,-	1	-
730	2 607 335 203	Slide-In Accu Package 9,6V,1,4Ah, NiCd	1	-,-	1	-
760	2 607 224 431	Fast Charger USA 120/7,2-24V, 1h	1	-,-	1	48
760	2 607 224 708	Fast Charger USA 120/7,2-14,4V, 30 MIN.	1	-,-	1	-

Item	Part Number	Description	Illustration	Price	Quantity	Price Group
801	2 605 104 776	Housing Section BLUE	1	-,-	1	30
802	2 607 022 902	DC motor 9,6V	1	-,-	1	29
827	1 609 340 005	Toothed Shaft Z=10/19/81	1	-,-	1	29
836	2 600 390 902	Threaded Sleeve	1	-,-	1	35
839	2 606 490 913	Coupling Half	1	-,-	1	40
840	2 606 490 914	Coupling Half	1	-,-	1	-
846	1 609 340 007	Set Of Gears Z=58/67	1	-,-	1	30
897	3 609 391 500	Thermal Conduction Compou	N/A	-,-	1	40
899	0 601 927 727	Diy-Drill-Driver BATTERY WITHOUT CHARGER	N/A	-,-	1	-

Product information Cordless Screwdriver - 0 601 927 734 - GSR 9,6 VET

Product No	0 601 927 734
Description	183.490; Cordless Screwdriver
DIN-Text	
ID_Text_Ext	0
Trading_Description	GSR 9,6 VET
Voltage_1	9,6 V
ID_Country_Product	USA

Illustration - Type E



Information subject to change without further notice.