

Drill Screwdriver - 0 601 416 760 - GSR 6-16 TE

www.powertools-aftersaleservice.com



BOSCH

Item	Part Number	Description	Illustration	Price	Quantity	Price Group
1	2 605 104 116	Motor Housing BLUE	1	-,-	1	31
2	2 604 220 427	Field 100V	1	-,-	1	32
4	2 607 200 138	On-Off Switch	1	-,-	1	44
6	2 600 703 012	Grommet Ø6,5-Ø6,9x95 MM	1	-,-	1	13
7	2 601 035 001	Cable Clip	1	-,-	1	11
9	3 601 110 050	Manufacturer's nameplate	1	-,-	1	-
12	2 607 329 110	Suppression Capacitor	1	-,-	1	31
13	1 900 905 018	Deep-Groove Ball Bearing 7x22x7	1	-,-	1	29
14	2 600 905 021	Deep-Groove Ball Bearing 9x24x7	1	-,-	1	21
16	2 604 465 071	Suppressor Box L=93/85 MM	1	-,-	1	19
18	2 603 410 001	Socket head cap screw M3x6,5-4.8	1	-,-	2	11
19	2 910 611 019	Tapping Screw DIN 7981-ST3,9x16-C-H	1	-,-	2	13
25	2 600 460 901	Depth-Gauge	1	-,-	1	-
27	2 601 250 001	Leaf Spring	1	-,-	1	11
28	1 903 230 003	Ball DIN 5401-2,5MM-III-ST	1	-,-	1	10
30	2 600 283 012	Seal ring	1	-,-	1	14
31	2 600 499 002	Bushing	1	-,-	1	16
33	2 600 910 001	Needle bearing Ø14 MM	1	-,-	1	16
37	2 600 900 008	Deep-Groove Ball Bearing Ø 8 MM	1	-,-	1	27
39	2 916 660 008	Spring retaining ring DIN 472-24x1,2 MM	1	-,-	1	11
40	2 601 328 033	Cover Disc	1	-,-	1	13
41	2 604 337 003	Brush Holder	1	-,-	2	12
42	2 600 150 004	Shim	1	-,-	1	11
43	2 604 448 005	Cable L=130 MM WHITE	1	-,-	4	11
44	2 600 101 023	Shim 0,3 MM	1	-,-	1	11
44	2 600 101 022	Shim 0,2 MM	1	-,-	1	11
44	2 600 101 020	Shim 0,5 MM	1	-,-	1	11
45	2 603 490 017	Torx Oval-Head Screw 3x10	1	-,-	4	10
47	2 603 490 023	Torx Oval-Head Screw 4x20	1	-,-	2	10
48	2 605 132 040	Housing Cover BLUE	1	-,-	1	21
50	2 603 435 015	Recessed-Head Screw DIN 7981-ST3,5x9,5-F	1	-,-	4	11
51	2 600 500 002	Cupped Washer	1	-,-	1	11
52	2 600 108 077	Felt Washer	1	-,-	1	11

Item	Part Number	Description	Illustration	Price	Quantity	Price Group
53	2 600 400 008	Receptacle	1	-,-	1	11
55	2 600 914 010	Needle bearing Ø6 MM	1	-,-	2	14
56	2 600 100 607	Shim 0,3 MM	1	-,-	2	11
60	2 603 435 017	Headless Screw	1	-,-	2	13
61	2 604 611 037	Compression Spring	1	-,-	1	11
62	2 603 126 006	Pressure Spindle	1	-,-	1	11
63	2 600 914 013	Needle bearing	1	-,-	1	18
65	2 601 110 230	Sticker YELLOW	1	-,-	1	11
70	2 600 210 028	O-Ring 21,0x2,0 MM	N/A	-,-	1	11
71	2 604 601 012	Stop Spring	N/A	-,-	1	13
96	2 606 610 049	Fan	1	-,-	1	12
115	2 603 490 024	Torx Oval-Head Screw 4x25	1	-,-	1	11
800	2 605 700 930	Intermediate Flange	1	-,-	1	38
802	2 606 490 910	Coupling Half	1	-,-	1	41
803	2 605 806 983	Gear Housing	1	-,-	1	45
804	2 606 490 912	Coupling Half	1	-,-	1	43
805	2 606 309 906	Toothed Shaft Z= 18/21	1	-,-	1	38
811	2 604 321 905	Carbon-Brush Set	1	-,-	1	23
835	1 607 000 385	Power supply cord EU 2,6m 2 x 1,0 mm	1	-,-	1	23
888	1 601 106 032	Nameplate 26x52 MM	1	-,-	1	13

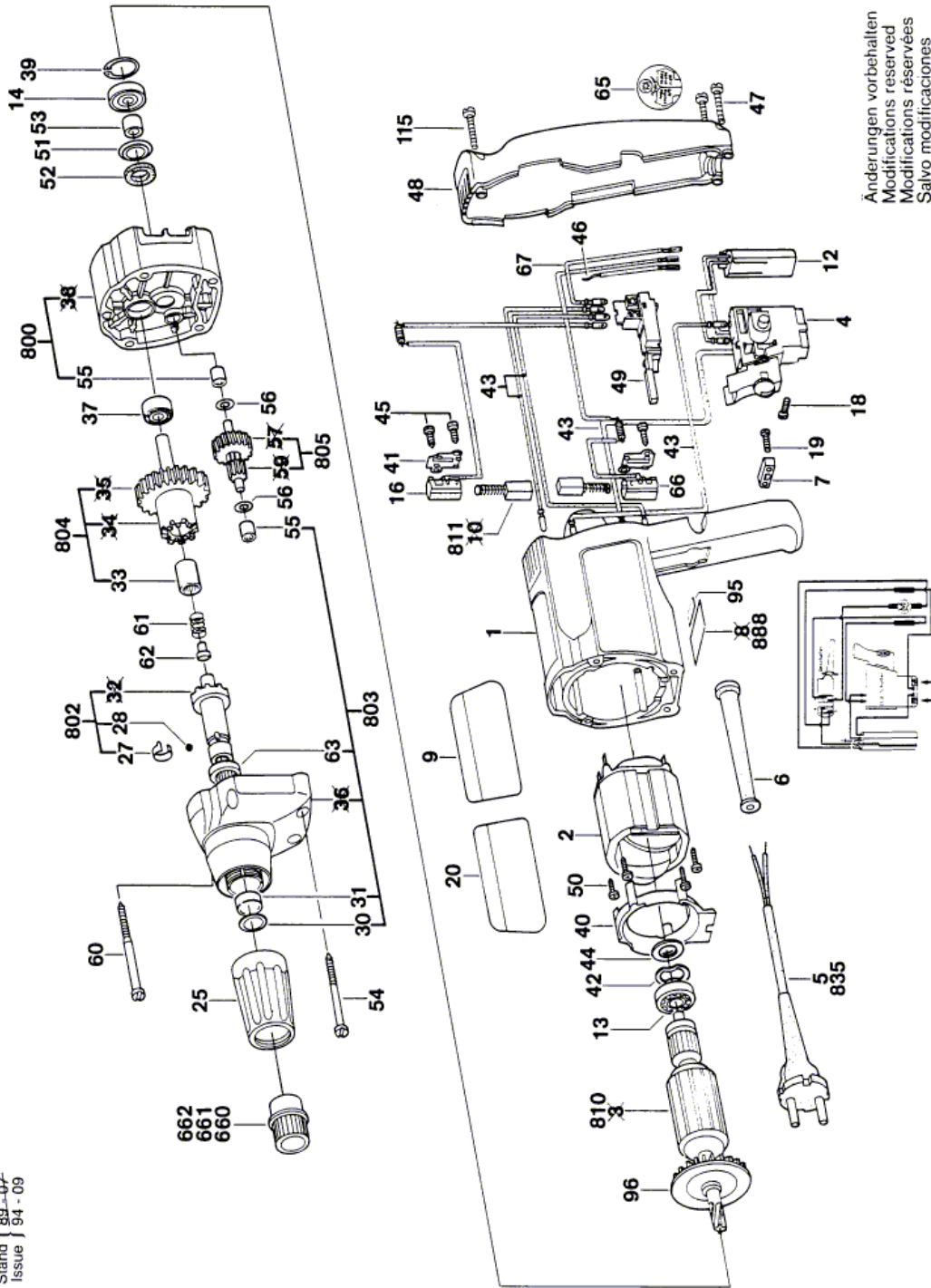
Product information Drill Screwdriver - 0 601 416 760 - GSR 6-16 TE

Product No	0 601 416 760
Description	251.348; Drill Screwdriver
DIN-Text	
ID_Text_Ext	0
Trading_Description	GSR 6-16 TE
Voltage_1	115 V
ID_Country_Product	USA

Illustration - Type E

Typ 0 601 416 6..

Stand | 89-07-
Issue | 94-09



Änderungen vorbehalten
Modifications reserved
Modificacions reservadas
Salvo modificaciones

Information subject to change without further notice.