

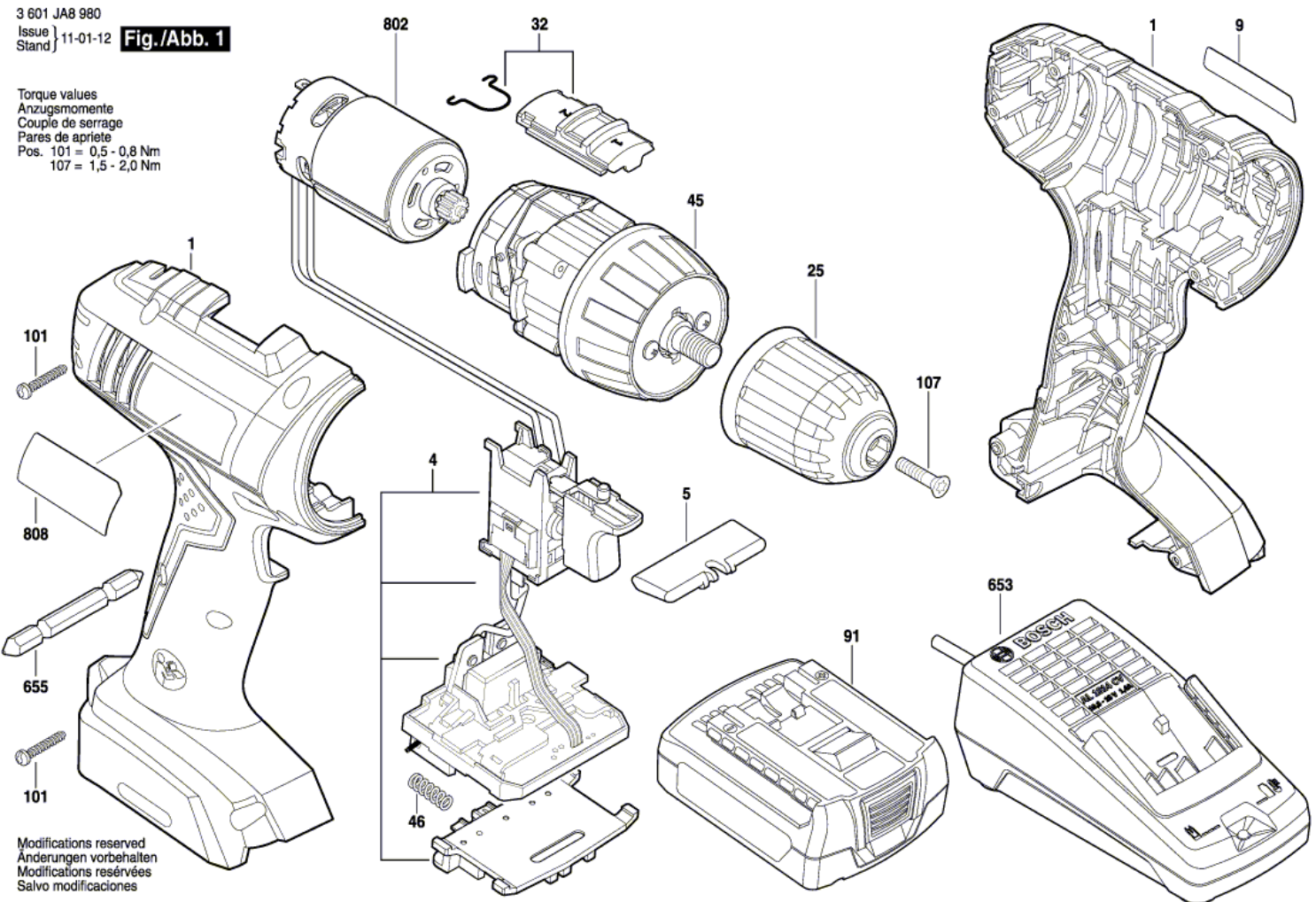
## Cordless Drill Driver - 3 601 JA8 9D1 - GSR 1200-L...

[www.powertools-aftersaleservice.com](http://www.powertools-aftersaleservice.com)



**BOSCH**

Item	Part Number	Description	Illustration	Price	Quantity	Price Group
1	2 609 100 955	Housing BLUE	1	-,-	1	28
4	2 609 199 618	Electronics Module	1	-,-	1	39
5	2 609 100 698	Button	1	-,-	1	12
9	F 000 621 06Z	Manufacturer's nameplate GSR 1200-LI	1	-,-	1	-
25	2 609 111 225	Keyless Chuck 13 MM	1	-,-	1	35
32	2 609 199 336	Switchover Unit RED	1	-,-	1	15
45	2 609 199 337	Gear Box	1	-,-	1	37
46	1 609 280 477	Compression Spring	1	-,-	1	11
91	2 607 337 115	Slide-In Accu Package 12V 1,5Ah LI Alpha	1	-,-	1	37
101	2 609 110 201	Torx Flat-Head Screw 3x16	1	-,-	8	10
107	2 609 111 314	Countersunk-Head Screw	1	-,-	1	11
653	2 607 225 777	Battery Charger TW 115/10,8-18V, 30 MIN	1	-,-	1	40
653	2 607 225 779	Battery Charger BR 127/10,8-18V, 30 MIN	1	-,-	1	40
653	2 607 225 781	Fast Charger BR 220/10,8-18V, 30 MIN	1	-,-	1	40
653	2 607 225 783	Battery Charger AR 230/10,8-18V, 30 MIN	1	-,-	1	40
802	2 609 199 366	DC motor 10,8 V	1	-,-	1	33
808	2 609 135 282	Nameplate	1	-,-	1	-



Information subject to change without further notice.