

## Cordless Screwdriver - 0 601 921 565 - GSR 12 VES

www.powertools-aftersaleservice.com



**BOSCH**

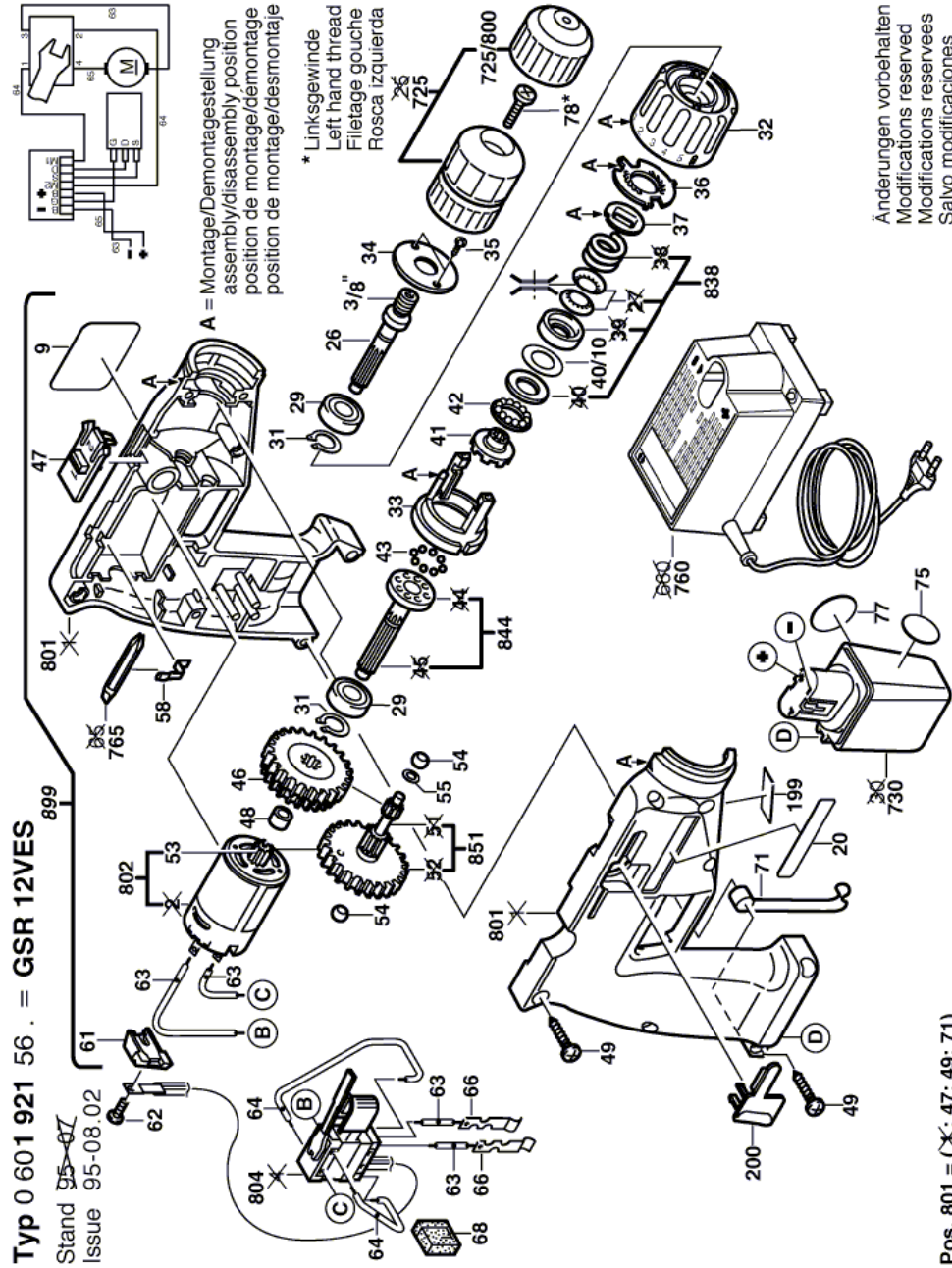
Item	Part Number	Description	Illustration	Price	Quantity	Price Group
	9 2 601 118 181	Sticker SUNNY SIDE		1	-,-	1 14
	20 2 601 118 802	Reference Plate SHADOW SIDE		1	-,-	1 -
	26 2 606 309 027	Drilling Spindle 3/8"		1	-,-	1 23
	29 1 900 905 120	Deep-Groove Ball Bearing 10x26x8		1	-,-	2 22
	31 2 916 650 001	Spring retaining ring DIN 471-10x1MM-FSt		1	-,-	2 10
	32 2 605 190 014	Setting Ring		1	-,-	1 19
	33 2 600 499 015	Setting Socket		1	-,-	1 22
	34 2 600 134 004	Retaining Washer WHITE		1	-,-	1 11
	35 2 603 490 003	Thread-forming tap. Screw DIN 7500 C M 3x8 MM		1	-,-	2 11
	36 2 600 190 041	Perforated disk		1	-,-	1 14
	37 2 600 290 019	Locating Washer		1	-,-	1 11
	40/10 2 600 101 631	Shim 0,2 MM		1	-,-	1 11
	41 2 606 490 047	Coupling Half		1	-,-	1 18
	42 2 600 923 001	Ball Cage		1	-,-	1 15
	43 1 903 230 007	Ball DIN 5401-4 MM-III-ST		1	-,-	8 10
	46 1 609 340 007	Set Of Gears Z=58/67		1	-,-	1 30
	47 2 601 099 027	Adjusting Slide BLACK		1	-,-	1 11
	48 2 600 301 011	Sintered-Metal Bushing		1	-,-	1 11
	49 2 603 490 022	Torx Oval-Head Screw 4x16		1	-,-	7 10
	53 2 606 316 112	Pinion Z=11		1	-,-	1 16
	54 2 600 302 002	Sintered-Metal Bushing		1	-,-	2 11
	55 2 600 100 636	Shim 0,3 MM THICK		1	-,-	1 11
	58 2 601 250 002	Holding Spring		1	-,-	1 11
	61 2 605 715 000	Heat Sink		1	-,-	1 16
	62 2 910 641 050	Oval-Head Screw DIN 7985-M3x8-4.8		1	-,-	1 10
	63 2 604 413 005	Cable L=52 MM WHITE		1	-,-	2 11
	64 2 604 413 004	Cable L=79 MM WHITE		1	-,-	1 11
	66 2 601 324 012	Contact Spring		1	-,-	2 12
	68 2 601 010 038	Dust Protection		1	-,-	1 11
	71 2 601 251 003	Holding Spring Ø8,7 MM		1	-,-	1 14
	75 2 601 118 299	Sticker RECHARGABLE BATTERY		1	-,-	1 11
	77 2 601 110 461	Sticker RECHARGABLE BATTERY		1	-,-	1 11
	78 2 609 110 721	Countersunk-Head Screw M5x20	N/A		-,-	1 11

Item	Part Number	Description	Illustration	Price	Quantity	Price Group
200	2 605 510 027	Filler Piece BLUE	1	-,-	1	11
725	2 608 572 010	Keyless Chuck Ø 1,5-10 MM,3/8"	1	-,-	1	-
725/800	2 600 591 006	Protective Cap	1	-,-	1	25
730	2 607 335 021	Slide-In Accu Package 12V, 1,4Ah, NiCd	1	-,-	1	-
760	2 607 225 033	Fast Charger USA 120/7,2-24V, 30 MIN.	1	-,-	1	46
765	1 609 200 147	Screwdriver Blade 6 MM	1	-,-	1	14
801	2 605 104 776	Housing Section BLUE	1	-,-	1	30
802	2 607 022 910	DC motor 12V	1	-,-	1	33
804	2 607 200 302	On-Off Switch	1	-,-	1	37
838	2 607 001 126	Changeover Set	1	-,-	1	19
844	2 606 436 900	Coupling Half	1	-,-	1	27
851	1 609 340 005	Toothed Shaft Z=10/19/81	1	-,-	1	29
899	0 601 921 565	Cordless Screwdriver BATTERY WITHOUT CHARGER	1	-,-	1	-

Product information Cordless Screwdriver - 0 601 921 565 - GSR 12 VES

Product No	0 601 921 565
Description	183.490; Cordless Screwdriver
DIN-Text	
ID_Text_Ext	1
Trading_Description	GSR 12 VES
Voltage_1	12 V
ID_Country_Product	USA

Illustration - Type E



Information subject to change without further notice.