



BOSCH

Demolition Hammer

GSH 388 | 0 611 388 043

Table of Content

Spare parts list.....	2
Illustration - Type.....	5

Spare parts list

Item	Part Number	Description
1	1 619 P10 299	Motor Housing
2	1 619 P01 908	Field 220-240V
5	1 614 460 075	Power supply cord H07 RN-F CN 4,15m 2 x 1,0mm
6	1 610 703 053	Grommet Ø9,7-Ø12x89 MM
7	1 601 302 019	Fastening Clamp
9	1 611 110 C06	Sticker
12	1 607 328 052	Suppression Filter
13	1 610 900 026	groove ball bearing 8x24x8
14	1 610 905 041	groove ball bearing 12x32x10
15	1 616 610 085	Fan
16	1 610 499 055	Ratchet Sleeve
17	1 610 241 000	Catch Disk
18	1 614 601 030	Retaining ring
21	1 610 508 038	Protective Cap
22	1 610 591 024	Protection Sleeve
25	1 612 300 034	Stopping Device
27	1 600 591 032	Air-Deflector Ring
28	1 614 621 000	Compression Spring
31	1 610 251 006	Supporting Disc
34	1 610 516 013	Flange
38	1 619 P09 927	Covering hood
42	1 614 336 041	Brush Holder
43	1 615 500 303	Fan Cover
53	1 610 102 054	Support Disc
57	1 618 710 073	Striker
69	1 610 099 004	Retaining Bracket
72	2 608 670 744	Eccentric Cog Wheel
73	1 605 500 2CZ	Housing Cover
75	1 619 P10 300	Handle
81	1 615 132 079	Handle Cover
95	1 610 210 173	O-Ring 32,0x1,5 MM
104	1 610 210 095	O-Ring 55,0x2,0 MM
111	1 610 290 064	Bushing
112	1 613 300 008	Hex Nut DIN 936-M8x1-8

Spare parts list

Item	Part Number	Description		
113	1 613 435 009	Tapping Screw	ST-4,8x57,5-TORX,T20	
116	1 610 311 017	Inner Ring		
121	1 610 328 018	Bushing		
126	2 603 490 022	Screw	4x16	
138	1 611 015 050	Sealing Frame		
141	1 610 290 066	Rotary shaft lip seal		
142	1 610 290 061	Rotary shaft lip seal		
143	1 614 601 021	Retaining ring	DIN 7993-28x2	
145	1 610 119 012	Spring retaining ring		
150	1 614 601 041	Retaining ring		
154	2 916 660 024	Spring retaining ring	55x2MM, DIN 472	
160	1 610 210 172	Damping Ring		
162	1 610 210 091	O-Ring	24,0x4,0 MM	
163	1 610 290 065	Seal Ring		
164	1 610 210 144	O-Ring	22,0x3,0 MM	
165	1 610 210 153	O-Ring	25,0x4,0 MM	
167	1 610 290 062	Rotary shaft lip seal		
171	1 613 435 014	Torx Oval-Head Screw	M5x16-TORX,T25 SILVER	
172	1 613 435 013	Torx Oval-Head Screw	M6x30-TORX,T30 SILVER	
175	2 912 401 018	Tapping Screw	DIN7981-ST3,9x13-C-Z	
176	1 613 435 012	Torx Oval-Head Screw	M4,8x25-TORX,T25 SILVER	
177	1 603 435 051	Tapping Screw	ST3,9x32	SILVER
178	1 604 412 069	Connecting Cable		
803	1 619 P04 545	Armature	220-240V	
804	1 617 200 110	Switch		
806	1 900 452 012	End Splice	DIN 46 228-A1-6	
808	1 601 11A 3H5	Nameplate		
811	1 617 014 138	Carbon-Brush Set		
817	1 614 652 004	Spiral Spring		
818	2 910 011 088	Socket head cap screw	DIN 84-AM3,5x12-5.8	
821	1 617 000 835	Bushing		
835	1 617 000 838	Hammer Pipe		
840	1 617 000 837	Impact Mechanism Housing		

Spare parts list

Item	Part Number	Description
841	1 617 000 452	Striker Pin
854	1 617 000 442	Stop Disc
856	1 617 000 836	Hammer Piston
874	1 617 000 422	Holding-Down-Appliance
897	1 617 000 A15	Wear and Tear Part Set
84	1 602 025 07H	Auxiliary Handle
85	1 619 P09 926	Support clamp
86	1 613 490 002	T-Head Bolt M8x40 MM
87	1 611 316 019	Clamping Band Ø62 MM
661	1 615 430 010	Grease Tube 30 ML
884	1 612 025 055	Auxiliary Handle Ø62 MM BLACK
886	1 617 000 459	Auxiliary Handle M8 BLACK
890	1 609 244 B42	Mounting Sleeve
892	1 609 244 B43	Bow
895	1 615 430 019	Oil Reservoir 1000 ML
898	1 615 437 512	Oil Reservoir 50 ML

Illustration - Type - E

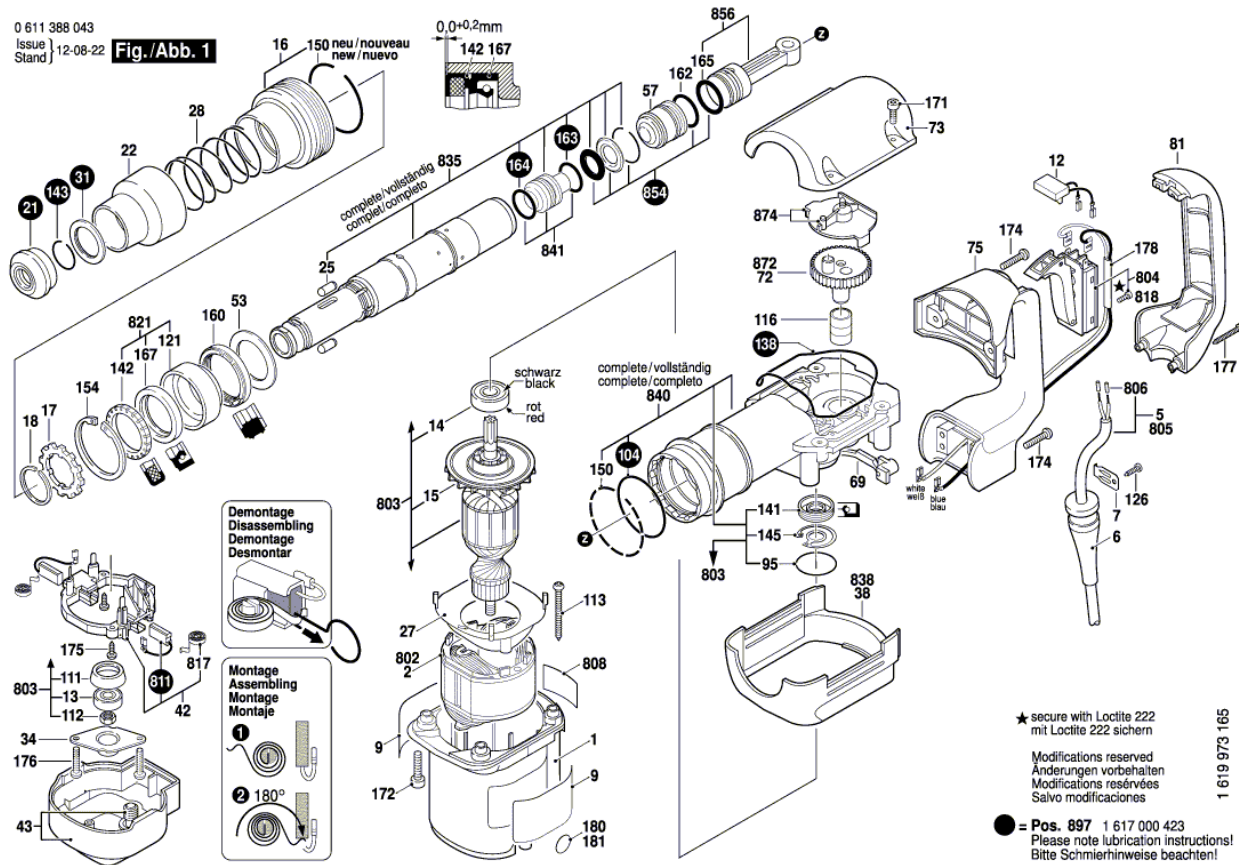
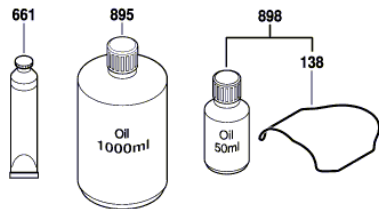
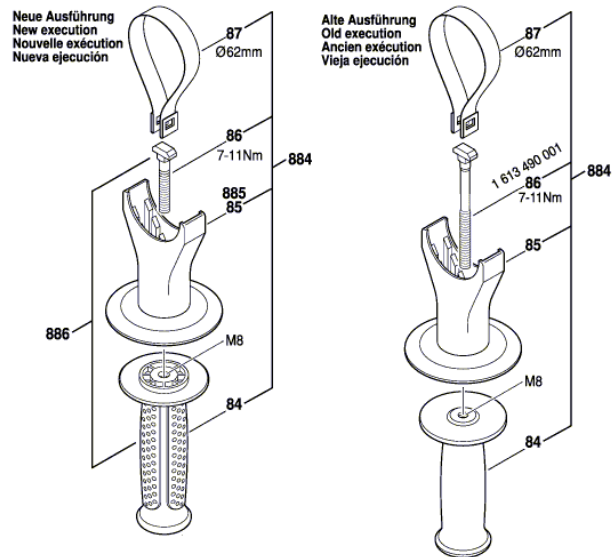


Illustration - Type - E

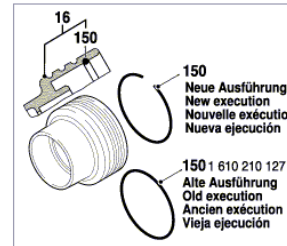
0 611 388 043
Issue
Stand | 12-08-22

Fig./Abb. 2



Maße in mm
Dimensions in mm
Cotes en mm
Medidas en mm

Änderungen vorbehalten
Modifications reserved
Modifications réservées
Salvo modificaciones



Hilfswerkzeuge zum Selbstanfertigen
Auxiliary tools (for your own manufacture)
Outils auxiliaire (fabrication locale)
Utiles (fabricación particular)

