



BOSCH

Demolition Hammer

GSH 14 C | 3 611 C44 080

Table of Content

Spare parts list.....	2
Illustration - Type.....	5

Spare parts list

Item	Part Number	Description
1	1 619 P16 776	Motor Housing
2	1 600 A02 1VS	Stator 220-240V
5	1 614 460 075	Power supply cord CN 4,15m 2 x 1,0mm H07 RN-F
6	1 610 703 053	Grommet Ø9,7-Ø12x89 MM
7	1 601 302 018	Fastening Clamp
8	1 619 P16 777	Nameplate
9	1 619 P16 778	Manufacturer's nameplate
10	1 619 P17 563	Sticker
19	1 619 P16 779	O-Ring
20	1 619 P17 054	Retaining ring
22	1 619 P16 781	Cylindrical Gear
26	1 619 P16 785	Eccentric Shaft
28	1 619 P16 786	Striker
30	1 619 P16 788	Connecting Rod
31	1 619 P16 789	Housing Cover
32	1 619 P16 790	Switch Set
37	1 619 P16 793	Bearing cover
38	1 619 P16 794	O-Ring
39	1 619 P16 795	O-Ring
40	1 619 P16 796	Sealing Frame
41	1 619 P17 056	Retaining ring
45	1 619 P16 799	O-Ring
46	1 619 P17 426	Damping Ring
47	1 619 P16 801	Disc
49	1 613 435 016	Torx Oval-Head Screw M5x20-TORX,T25 SILVER
50	1 619 P16 802	Striker Pin
51	1 619 P16 803	Damping Ring
53	1 619 P16 804	Flange
54	1 619 P16 805	Ball
55	1 619 P16 806	O-Ring
57	1 619 P16 807	Holding Plate
58	1 614 621 002	Compression Spring
59	1 619 P16 808	Stop Sleeve
60	1 619 P16 809	Damping Ring

Spare parts list

Item	Part Number	Description
61	1 619 P16 810	Supporting Disc
63	1 619 P16 812	Protection Sleeve
64	1 619 P16 813	Protective Cap
65	1 619 P16 814	O-Ring
67	1 619 P16 815	Indexing Disk
68	1 610 290 119	Shaft Seal
70	1 619 P10 533	groove ball bearing
72	3 600 224 001	Retaining ring
73	1 613 435 009	Tapping Screw ST-4,8x57,5-TORX,T20
74	1 619 P16 816	Grease Cartridge
75	1 610 210 130	O-Ring 32,0x2,5 MM
76	1 619 P07 816	Torx Oval-Head Screw M5x16-TORX, T25 SILVER
77	2 910 151 246	Hex Socket Head Cap Screw DIN 912-M8x30-10.9
78	1 619 P16 817	O-Ring
79	3 603 435 003	Thread-forming tap. Screw
85	1 610 210 217	O-Ring
86	1 610 100 021	Disc
87	1 613 101 014	Straight Pin
88	1 610 500 024	Retaining snap ring
89	1 619 P16 818	Rear Housing Section
90	1 615 132 133	Handle Cover
91	1 615 132 134	Handle Cover
92	1 612 026 159	Reverse-Transfer Lever
93	1 612 026 160	Reverse-Transfer Lever
94	1 619 P17 119	Bellows
95	1 619 P17 120	Compression Spring
96	1 619 P00 105	Torx Oval-Head Screw 4x20
102	1 619 P17 148	Electronic Module
104	1 619 P16 865	Electronic Module
105	1 619 P17 197	Electronics Module
106	1 619 P17 108	Damper
108	1 619 P16 826	Cover
109	1 619 P16 827	Cover
110	1 619 P16 864	Electronic Module

Spare parts list

Item	Part Number	Description	
111	1 619 P00 220	Torx Oval-Head Screw	3x10
112	1 613 435 012	Torx Oval-Head Screw SILVER	M4,8x25-TORX,T25
113	2 603 490 023	Torx Oval-Head Screw	4x20
119	1 619 P16 829	Cover	
803	1 619 P17 697	Rotor	
823	1 619 P17 701	Toolholder	
839	1 619 P17 700	Gear Housing	
840	1 619 P17 699	Impact Mechanism Housing	
842	1 619 P17 797	Disc	
856	1 619 P17 702	Hammer Piston	
872	1 619 P17 698	Cylindrical Gear	
883	1 619 P17 703	Handle	
898	1 619 P17 705	Wear and Tear Part Set	
97	1 602 025 08D	Auxiliary Handle	
98	2 911 021 267	Hex Screw	
99	1 611 316 028	Clamping Band	
100	1 619 P16 922	Star Knob	
101	1 600 A00 8BL	Clamping Piece	
884	1 619 P17 704	Auxiliary Handle	
890	1 619 P17 891	Wheel Set	
891	1 619 P17 892	Handle	
892	1 619 P17 893	Lock	
893	1 615 430 014	Grease Tube	45 ML
896	1 615 430 010	Grease Tube	30 ML

Illustration - Type - E

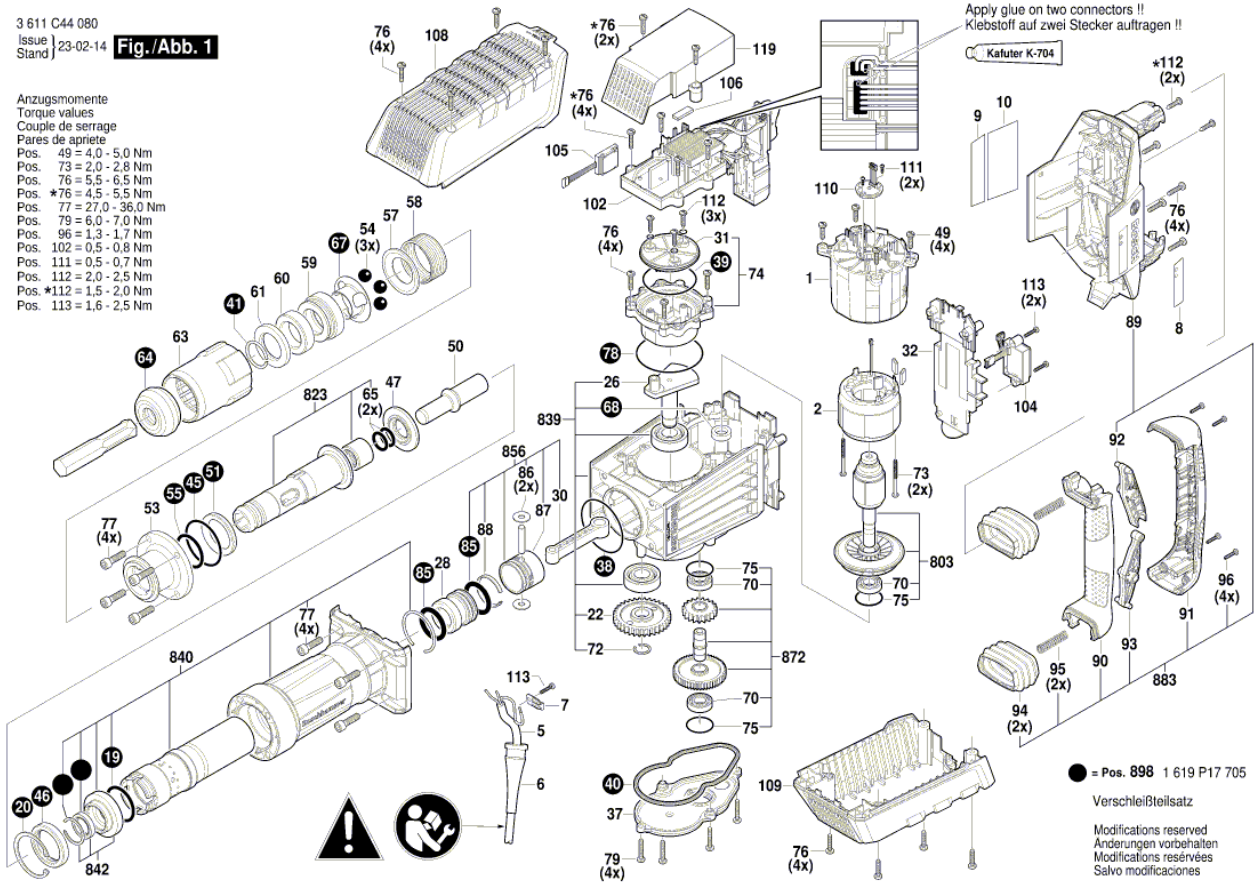
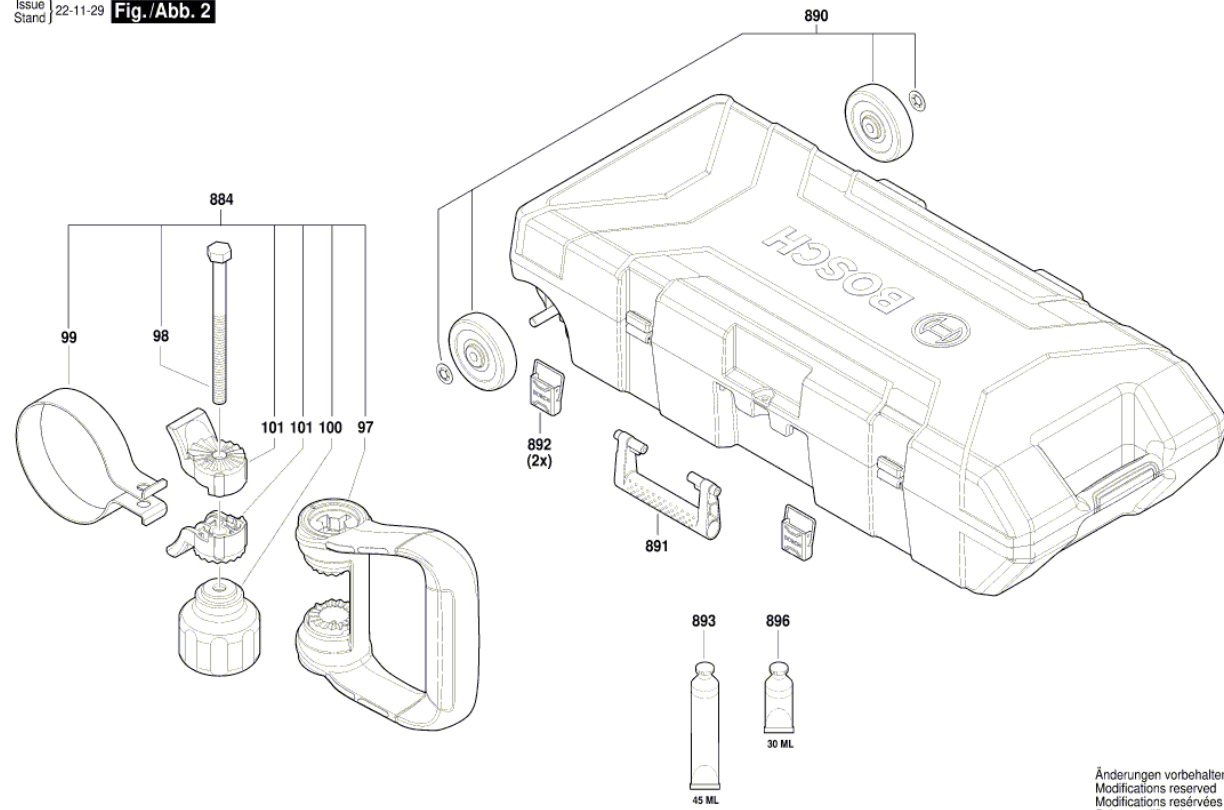


Illustration - Type - E

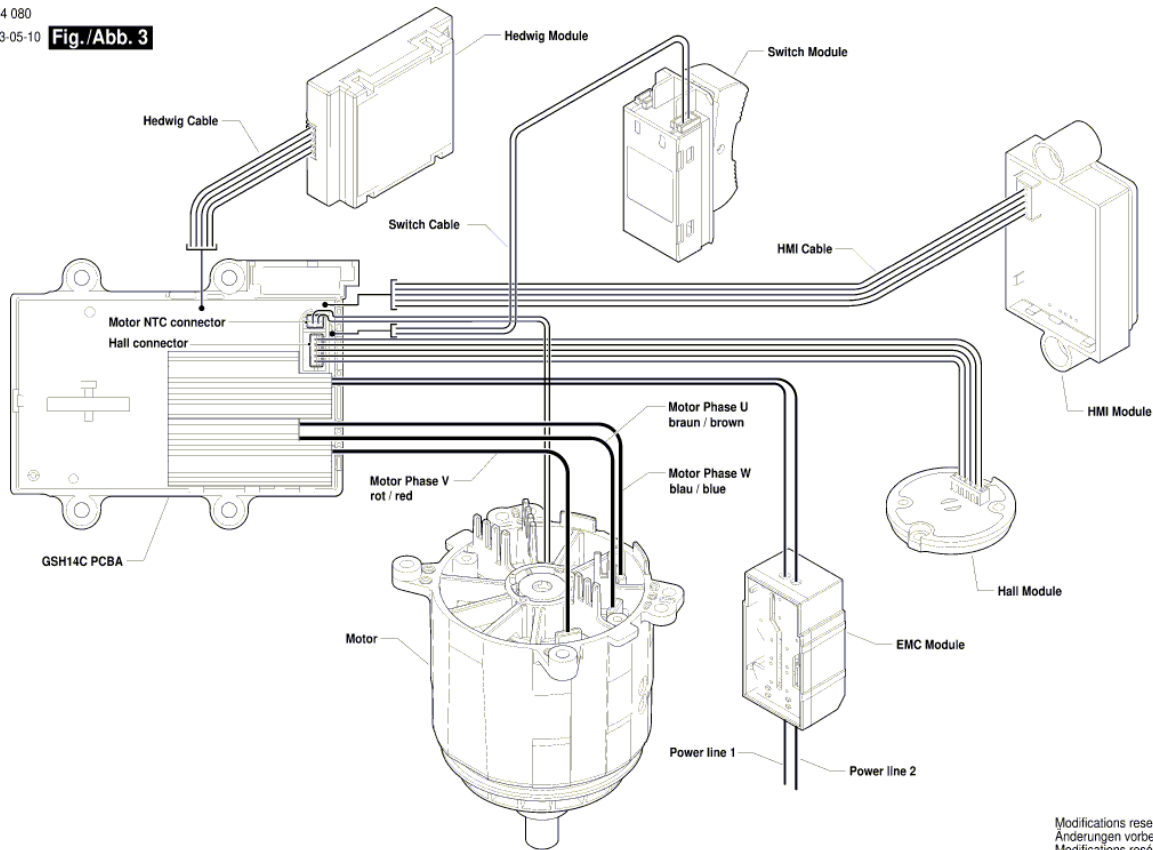
3 611 C44 080
Issue | 22-11-29
Stand | **Fig./Abb. 2**



Änderungen vorbehalten
Modifications reserved
Modifications réservées
Salvo modificaciones

Illustration - Type - E

3 611 C44 080
 Issue | 23-05-10
 Stand | **Fig./Abb. 3**



Modifications reserved
 Änderungen vorbehalten
 Modifications réservées
 Salvo modificaciones