



**BOSCH**

# Demolition Hammer

GSH 11 E | 3 611 C16 880

---

## Table of Content

Spare parts list.....	2
Illustration - Type.....	5

## Spare parts list

Item	Part Number	Description	
1	1 615 108 091	Motor Housing	BLUE
2	1 619 P12 250	Field	
4	1 617 200 048	Switch	
4/10	2 910 011 088	Socket head cap screw	DIN 84-AM3,5x12-5.8
5	1 614 460 075	Power supply cord	CN 4,15m 2 x 1,0mm H07 RN-F
6	1 610 703 053	Grommet	Ø9,7-Ø12x89 MM
7	1 601 302 019	Fastening Clamp	
9	1 619 P15 073	Manufacturer's nameplate	
13	2 610 909 310	groove ball bearing	
14	1 610 910 096	Needle-Roller Bearing	
15	1 616 610 083	Fan	
16	1 610 499 022	Ratchet Sleeve	
17	1 619 P17 466	Retaining snap ring	
18	1 610 119 010	Spring retaining ring	
19	1 619 P13 963	Clamping-Flange	
20	1 619 P13 964	Toolholder	
21	1 610 508 025	Protective Cap	
22	1 610 499 023	Protection Sleeve	
23	1 610 521 011	Stop Sleeve	
25	1 612 300 025	Stopping Device	
26	1 619 P16 141	Indexing Disk	
27	2 910 151 246	Hex Socket Head Cap Screw	DIN 912-M8x30-10.9
28	1 614 621 002	Compression Spring	
29	1 614 621 003	Compression Spring	
30	1 610 210 147	O-Ring	79,5x2,65 MM
31	1 610 290 026	Damping Ring	
34	1 610 390 029	Spacer Tube	
35	1 619 P13 967	Hammer Pipe	
36	1 610 210 127	O-Ring	64,0x2,5 MM
37	1 610 210 128	O-Ring	35,0x3,0 MM
38	1 615 190 093	Covering hood	
39	1 610 283 030	Rotary shaft lip seal	DIN 3760-A ,Ø32x42x7x6 MM
41	1 618 710 071	Striker Pin	

**Demolition Hammer | GSH 11 E | 3 611 C16 880****Spare parts list**

<b>Item</b>	<b>Part Number</b>	<b>Description</b>	
43	1 615 808 083	Bearing cover	BLUE
54	1 610 190 019	Control Disc	
55	1 610 420 005	Control Bushing	
56	1 618 700 064	Hammer Piston	
57	1 618 710 062	Striker	
70	1 612 001 033	Connecting Rod	
71	1 613 101 006	Straight Pin	
72	1 600 A02 7H7	Eccentric Cog Wheel	
75	1 615 132 082	Handle	BLACK
76	1 612 026 049	Control Lever	
77	1 612 026 048	Shift Plate	GRAY
80	1 607 233 5CR	Speed governor	220-240V
82	1 615 510 000	Light Conductor	
103	1 610 210 122	O-Ring	30,0x5,0 MM
104	1 610 210 123	O-Ring	22,0x11,0 MM
111	3 610 501 500	Bushing	
112	3 613 461 500	Threaded Ring	
113	1 610 009 007	Spacer	
114	1 610 210 139	O-Ring	30,0x2,5 MM
115	1 610 508 027	Protective Cap	BLACK
123	1 610 913 013	Needle-Roller Assembly	
124	1 610 101 608	Thrust Bearing Disc	
126	2 603 490 022	Screw	4x16
127	2 914 551 117	Microencapsulated Screw 5x12-8.8	DIN 912-M
129	1 613 433 001	Screw and washer assembly	6,3x32
131	1 619 P15 106	Manufacturer's nameplate	GSH 11 E
136	1 613 490 029	Torx Oval-Head Screw	M6x30
138	1 610 210 130	O-Ring	32,0x2,5 MM
139	1 610 108 020	Felt Washer	
140	1 613 435 010	Torx Oval-Head Screw	5,5x25
141	1 610 290 028	Rotary shaft lip seal	
142	1 610 300 063	Bushing	
143	2 916 540 017	Retaining ring	DIN 7993 A 30
144	1 610 102 029	Supporting Disc	

**Demolition Hammer | GSH 11 E | 3 611 C16 880****Spare parts list**

<b>Item</b>	<b>Part Number</b>	<b>Description</b>
180	1 611 110 855	Sticker
803	1 619 P15 184	Armature 220-240V
808	1 619 P15 030	Nameplate
823	1 617 000 403	Needle-Roller Assembly
824	1 617 000 240	Ball DIN 5401-6,5MM-III-ST
840	1 617 000 969	Impact Mechanism Housing
842	1 600 A00 5AF	Brush Holder
842/020	1 614 336 017	Brush Guide
842/030	1 614 652 004	Spiral Spring
842/050	1 607 000 481	Carbon-Brush Set 10 x 1 617 014 126
842/050	1 617 014 126	Carbon-Brush Set
842/080	2 910 611 012	Tapping Screw DIN 7981-ST3,5x16-C-H
845	1 617 000 418	Housing Cover
895	3 613 344 500	Oil Return Ring
897	1 617 000 189	Wear and Tear Part Set
898	1 617 000 190	Wear and Tear Part Set
84	1 602 025 08D	Auxiliary Handle
86	2 911 021 267	Hex Screw
87	1 611 316 010	Clamping Band
88	1 619 P16 922	Star Knob
89	1 600 A00 748	Clamping Piece
661	1 615 430 010	Grease Tube 30 ML
884	1 602 025 08E	Auxiliary Handle
892	1 615 430 014	Grease Tube 45 ML

Illustration - Type - E

3 611 C16 8F0  
Issue  
Stand | 18-08-07

**Fig./Abb. 1**

- = Pos. 897 1 617 000 189 ohne Fetttube  
1 617 000 189 without grease tube
  - = Pos. 898 1 617 000 190 mit 2 Fettuben à 45ml  
1 617 000 190 with 2 x 45ml grease tubes
- Bitte Schmierhinweise beachten!  
Please note lubrication instructions!

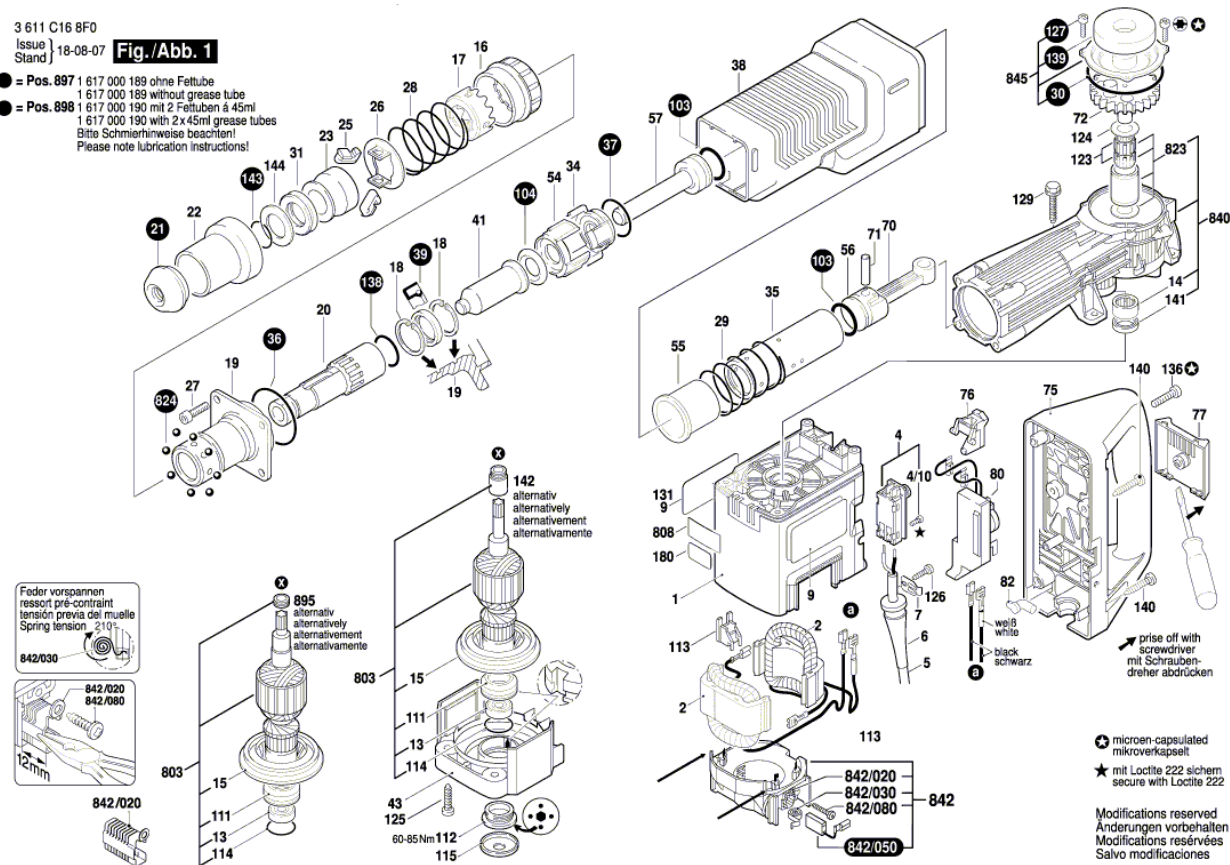
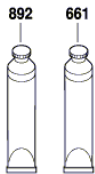
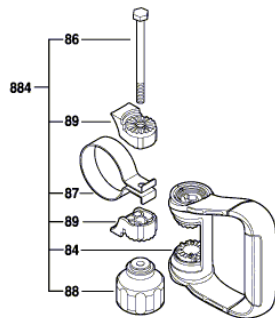


Illustration - Type - E

3 611 C16 8F0  
 Issue | 18-08-08  
 Stand | **Fig./Abb. 2**



Änderungen vorbehalten  
 Modifications reserved  
 Modifications réservées  
 Salvo modificaciones

