



**BOSCH**

# Shears

GSC 2,8 | 0 601 506 143

---

## Table of Content

Spare parts list.....	2
Illustration - Type.....	5

## Spare parts list

Item	Part Number	Description
1	2 605 500 054	Gear Cover
2	2 605 806 312	Gear Housing
3	2 606 122 003	Eccentric Shaft
4	2 600 914 011	Needle bearing
5	1 900 900 274	groove ball bearing 20x42x12
6	2 606 334 040	Ring Gear Z=66
7	3 606 316 057	Cylindrical Gear Z=30
8	1 903 201 520	Needle Roller
9	1 600 100 611	Shim 1,2 MM THICK
10	2 916 080 908	Locking Washer 5 DIN 6799
11	2 603 105 021	Bearing bolt
12	2 600 550 017	Disc Spring
13	2 600 224 009	Retaining ring
14	2 600 913 035	Needle-Roller Cage
15	2 602 001 001	Connecting Rod
16	2 603 100 003	Bearing bolt
17	2 600 400 001	Bearing Sleeve
18	2 603 070 008	Lifting Rod
19	2 603 480 001	Adjusting Screw
20	2 608 635 065	Upper Blade
21	3 603 414 029	Hex Socket Head Cap Screw
22	3 603 100 040	Straight Pin
24	2 608 635 042	Lower Blade
27	2 910 141 290	Hex Socket Head Cap Screw M 10x22 DIN 912-8.8
28	2 603 400 011	Set screw
29	2 916 650 011	Spring retaining ring DIN 471 20x1,2
32	3 605 700 042	Intermediate Flange
33	2 600 905 021	groove ball bearing 9x24x7
34	2 916 660 008	Spring retaining ring DIN 472-24x1,2 MM
36	2 914 201 508	Torx Oval-Head Screw
37	2 916 690 003	Spring Lock Washer DIN 128-A4-FST
38	2 910 021 138	Socket head cap screw DIN 84-BM4x40-8.8
40	2 910 021 134	Socket head cap screw DIN 84-BM4x30-8.8
47	2 600 500 002	Cupped Washer

## Spare parts list

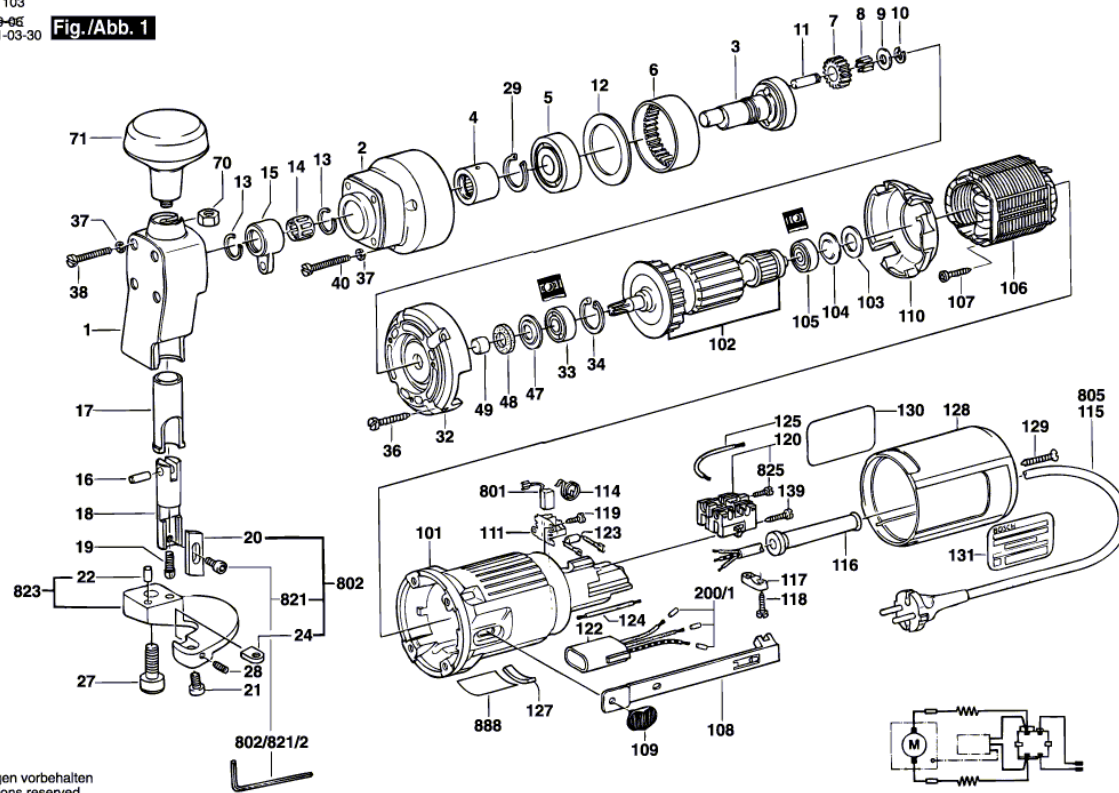
Item	Part Number	Description		
48	2 600 108 002	Felt Washer		
49	2 600 400 008	Receptacle		
70	2 915 011 009	Hex Nut	DIN 934-M8-8-A	
71	2 602 026 001	Handle	BLACK	
101	2 605 108 051	Motor Housing	BLUE	
102	2 604 010 608	Armature	220-230V	
103	2 600 101 020	Shim	0,5 MM	
103	2 600 101 022	Shim	0,2 MM	
103	2 600 101 023	Shim	0,3 MM	
104	2 600 150 004	Shim		
105	1 900 905 018	Ball Bearing	7x22x7	
106	2 604 220 445	Field	220-230V	
107	2 603 435 015	Cross Recessed-Head Screw ST3,5x9,5-F	DIN 7981-	
108	2 602 319 005	Adjusting Slide	BLUE	
109	2 602 026 015	Switch Handle	BLACK	
110	2 601 328 045	Cover Disc		
111	1 600 A00 3G4	Brush Holder		
114	1 604 652 013	Spiral Spring		
115	1 604 460 71B	Power supply cord		
116	2 600 703 011	Grommet	Ø8,3-Ø9,4x95 MM	
117	2 601 035 001	Cable Clip		
118	2 603 490 022	Screw	4x16	
119	1 613 435 034	Lens Head Screw	3x10 ST	
120	2 607 200 674	Switch		
122	2 607 329 104	Suppression Filter		
123	3 604 465 000	Suppression Filter		
124	2 604 448 039	Connecting Cable	L=68MM	WHITE
125	2 604 448 040	Connecting Cable	L=125MM	WHITE
128	2 600 508 036	Housing Cover	BLUE	
129	2 910 601 321	Tapping Screw	DIN 7982-ST3,9x22C-H	
130	3 601 110 354	Sticker		
131	3 601 110 384	Sticker		
139	2 910 211 007	Tapping Screw	DIN 7971-BZ2,9x16	
801	3 607 031 630	Carbon-Brush Set		

## Spare parts list

Item	Part Number	Description
802	2 607 010 025	Set of knives
802/821/2	1 907 950 004	Offset Screwdriver    DIN 911, SW3
821	3 607 031 645	Set of screws
823	2 608 042 003	Blade Holder
825	2 603 410 001	Socket head cap screw    M3x6,5-4.8
888	1 601 11A 3H3	Nameplate

Illustration - Type - E

0 601 506 103  
 Stand } 09-05  
 Issue } 11-03-30 **Fig./Abb. 1**



Änderungen vorbehalten  
 Modifications reserved  
 Modificaciones reserves  
 Salvo modificaciones