



BOSCH

Percussion Drill

GSB 550 | 3 601 AA1 181

Table of Content

| | |
|--------------------------|---|
| Spare parts list..... | 2 |
| Illustration - Type..... | 3 |

Spare parts list

| Item | Part Number | Description |
|-------|---------------|-----------------------|
| 1 | 1 619 PB4 746 | Housing |
| 2 | 1 619 PA0 678 | Field 220-240V |
| 4 | 1 619 PA0 679 | On-Off Switch |
| 5 | 1 619 PA8 071 | Power supply cord |
| 6 | 1 619 PB2 058 | Grommet Ø 9 mm |
| 12 | 1 619 PA0 702 | Suppression Capacitor |
| 13 | 1 619 PA0 681 | groove ball bearing |
| 14 | 1 619 PA0 680 | groove ball bearing |
| 16 | 1 619 PA1 407 | Carbon-Brush Set |
| 19 | 1 619 PA0 683 | Torx Oval-Head Screw |
| 25 | 1 619 PA0 684 | Lever |
| 31 | 1 619 PA0 701 | Change-Over Switch |
| 32 | F 000 615 033 | Ball |
| 34 | 1 619 PA0 685 | Bearing Bracket |
| 41 | 1 619 PA6 599 | Cable |
| 43 | 1 619 PA0 703 | Suppressor Box |
| 56 | 1 619 PA0 690 | Woodruff Key |
| 70 | F 000 616 083 | Tapping Screw |
| 71 | F 000 616 084 | Fastening Clamp |
| 803 | 1 619 PA0 697 | Armature 220-240V |
| 836 | 1 619 PA1 858 | Drilling Spindle |
| 839 | 1 619 PA1 689 | Key Chuck |
| 839/7 | 1 619 PA0 694 | Chuck Wrench |
| 651 | 1 619 PB4 323 | Auxiliary Handle |
| 698 | 2 603 001 009 | Depth-Gauge |

Illustration - Type - E

3 601 AA1 080
 Stand } 19-10-11
 Issue } 19-10-16

Fig. /Abb. 1

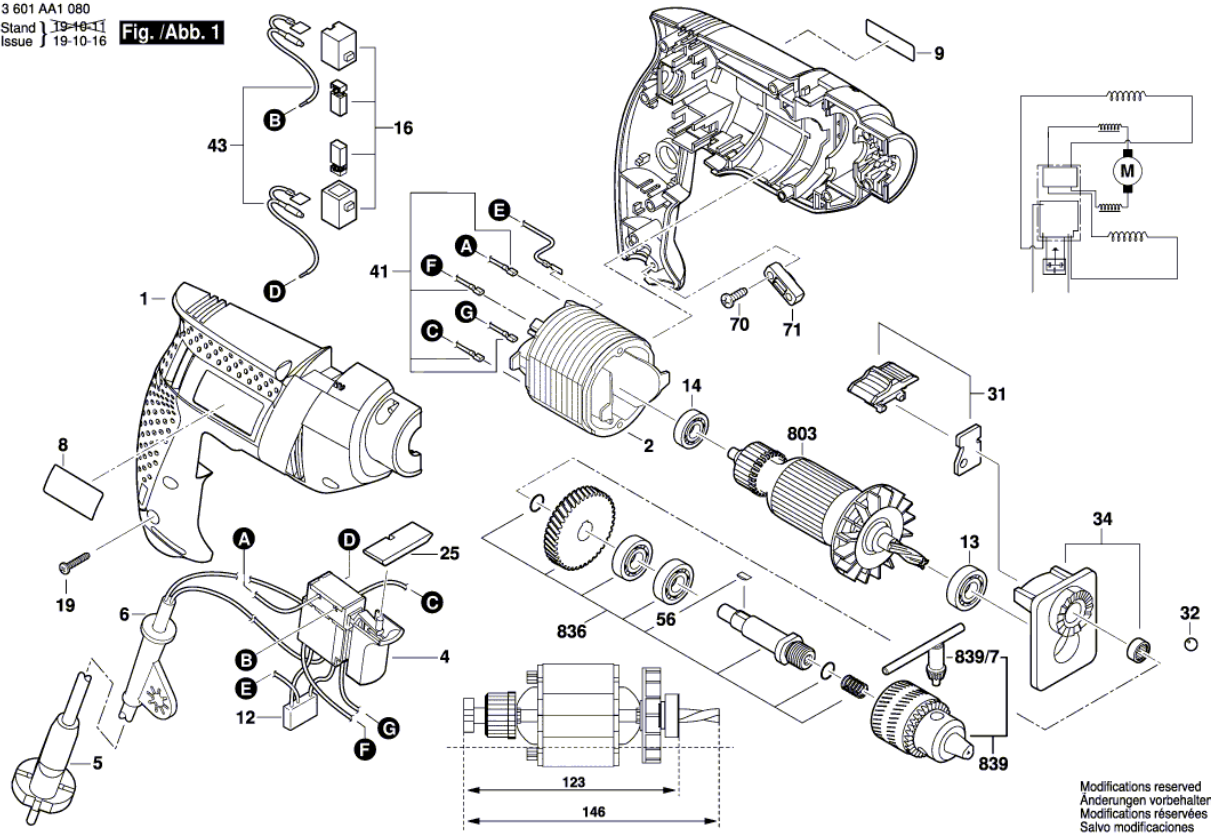
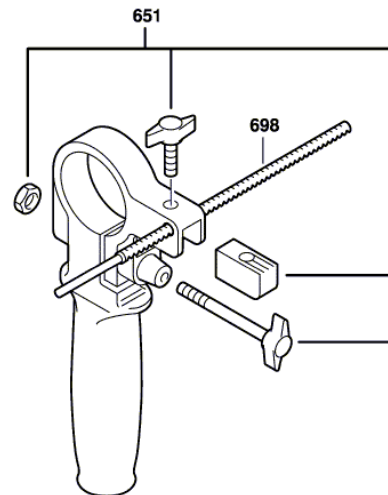


Illustration - Type - E

3 601 AA1 080
Stand } 10-12-07 **Fig. /Abb. 2**
Issue }



Modifications reserved
Änderungen vorbehalten
Modifications réservées
Salvo modificaciones