



BOSCH

Percussion Drill

GSB 20-2 RE | 0 601 184 643

Table of Content

Spare parts list.....	2
Illustration - Type.....	5

Spare parts list

Item	Part Number	Description
1	2 605 104 653	Motor Housing BLUE
2	1 604 220 254	Field 220-240V
3	1 619 P05 267	Armature 220V
3/50	2 606 610 029	Fan
4	2 607 200 209	Switch
5	1 619 P00 435	Power supply cord H05 RN-F CN 2,65m 2 x 1,00mm
6	1 619 P14 639	Grommet Ø 7mm
6	2 600 707 059	Grommet Ø6,9 MM
6	2 600 707 060	Grommet Ø11,6-Ø12,5x84 MM
7	2 601 035 001	Cable Clip
9	2 601 117 005	Manufacturer's nameplate SUNNY SIDE GSB 20-2 RE
12	2 607 329 114	Suppression Filter
13	1 900 905 018	Ball Bearing 7x22x7
14	1 619 P02 417	groove ball bearing
18	2 603 410 001	Socket head cap screw M3x6,5-4.8
19	1 619 P00 029	Screw
20	2 601 117 006	Reference Plate SHADOW SIDE
24	2 606 135 086	Drilling Spindle SW 14
25	2 605 806 422	Gear Housing BLUE
26	2 604 616 006	Compression Spring
27	2 600 301 031	Sintered-Metal Bushing 14,7-0,15
28	2 916 650 008	Spring retaining ring DIN 471 17x1 MM
29	2 600 101 047	Shim 0,3 MM
30	2 602 300 034	Flat Key
31	2 600 101 084	Retaining Washer
32	2 600 101 515	Shim 1,0 MM
33	2 606 317 083	Cylindrical Gear
34	2 606 317 082	Cylindrical Gear
35	2 601 098 031	Guiding Plate
36	2 600 190 070	Catch Disk
37	2 600 190 071	Catch Disk
38	2 603 410 048	Thread-forming tap. Screw M4x8
39	2 600 000 012	Shim washer 0,2 MM
39	2 600 000 014	Shim washer 0,5 MM

Spare parts list

Item	Part Number	Description		
40	1 903 230 010	Ball	DIN 5401-5,5MM-III-ST	
41	2 602 026 072	Rotary Knob	BLACK	
42	2 917 780 101	Slotted Spring Pin	DIN 7346 4x24	
44	2 601 328 033	Cover Disc		
46	2 605 132 051	Housing Cover	BLUE	
47/40	2 604 337 003	Brush Holder		
48	1 619 P00 220	Torx Oval-Head Screw	3x10	
49	2 600 150 004	Shim		
50	2 600 101 027	Shim washer	0,3 MM	
50	2 600 101 665	Shim washer	0,2 MM	
50	2 600 101 667	Shim washer	0,5 MM	
51	2 604 448 005	Cable	L=130 MM	WHITE
52	2 607 200 216	Change-Over Switch		
53	2 604 448 100	Connecting Cable	L=68 MM	WHITE
54	2 604 448 146	Connecting Cable	L=110 MM	WHITE
55	2 604 448 254	Connecting Cable		
56	2 600 914 010	Needle-Roller Bearing	Ø6 MM	
57	2 600 400 027	Bearing Sleeve		
61	2 600 100 607	Shim	0,3 MM	
62	2 600 500 002	Cupped Washer		
63	2 603 435 070	Headless Screw		
64	2 603 435 071	Headless Screw	65 MM	
66	2 602 033 011	Adjusting Slide		
68	2 600 100 618	Shim washer		
69	2 602 026 038	Rotary Knob	BLACK	
71	2 600 590 006	Ratchet Cap		
72	2 604 448 097	Earth Conductor		
75	1 619 P00 106	Screw		
76	1 619 P00 105	Torx Oval-Head Screw	4x20	
79	2 603 421 226	Countersunk-Head Screw	M6x27 LEFTHAND THREADS	
80	2 601 073 012	Gasket		
780	1 608 571 069	Chuck	Ø1,5-13 MM, 1/2"	
780/7	2 607 950 007	Chuck Wrench	SG2	
808	2 601 119 817	Nameplate		

Spare parts list

Item	Part Number	Description
810	2 604 321 905	Carbon-Brush Set
843	2 605 700 941	Intermediate Flange
859	2 606 309 931	Toothed Shaft Z= 10/29/22
867	2 916 080 007	Locking Washer DIN 6799-4-FSt
870	2 607 010 226	Parts Set
753	1 612 025 031	Auxiliary Handle Ø43 MM BLACK
753/20	2 915 011 007	Hex Nut DIN 934-M6-8-A
753/30	1 613 480 007	Wing Screw M6x(15)55
753/50	2 608 040 014	Clamping Plate M6
753/60	1 613 480 008	Wing Screw M6x20 MM
754	1 613 001 005	Depth-Gauge SW 6x210 MM

Illustration - Type - E

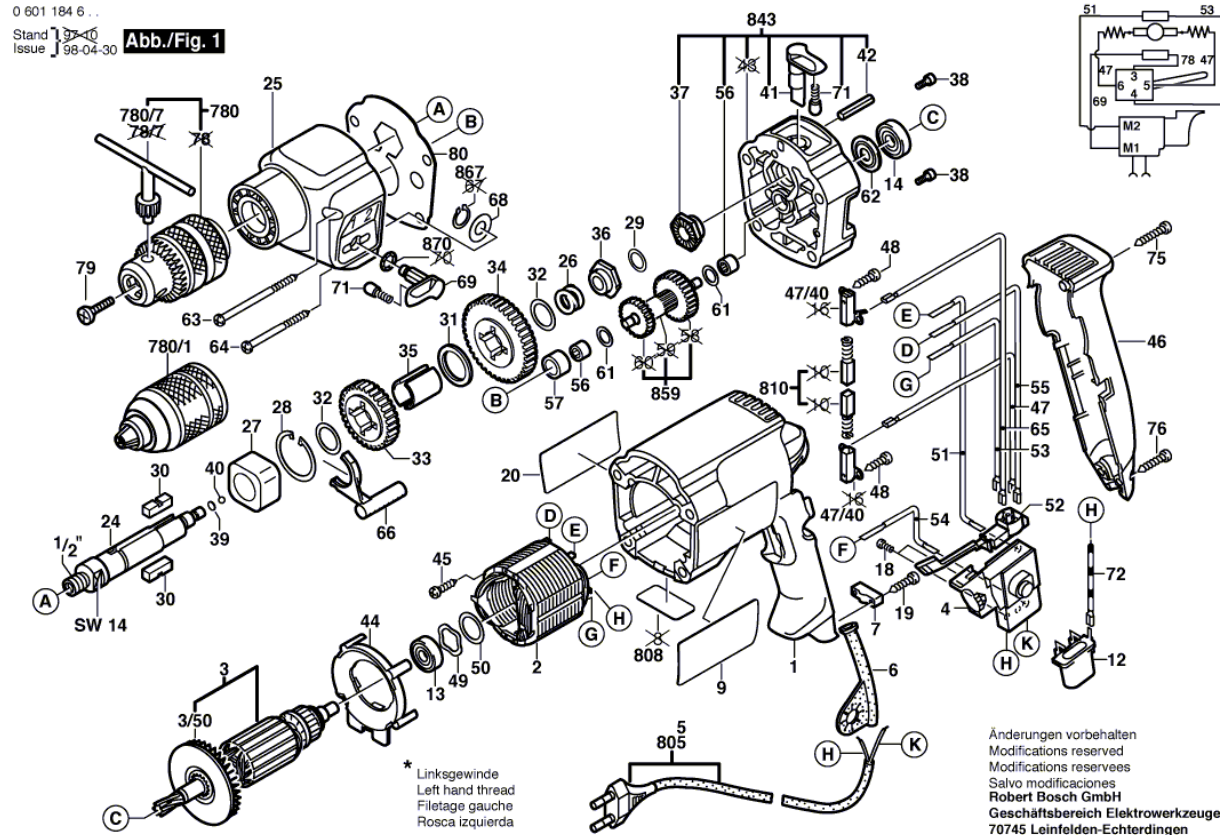
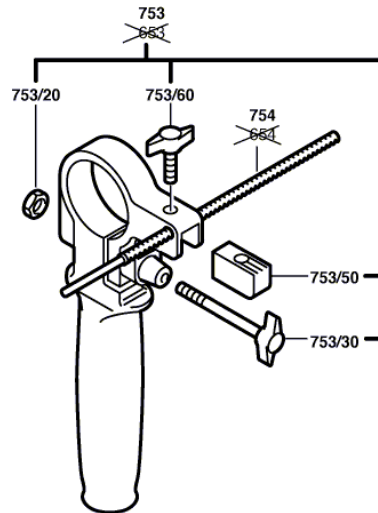


Illustration - Type - E

0 601 184 6...
Stand } 98-04-30 **Abb./Fig. 2**
Issue }



Änderungen vorbehalten
Modifications reserved
Modifications reserves
Salvo modificaciones
Robert Bosch GmbH
Geschäftsbereich Elektrowerkzeuge
70745 Leinfelden-Echterdingen