



**BOSCH**

# Cordl Perc Screwdr

GSB 18V-90 C | 3 601 JK6 180

---

## Table of Content

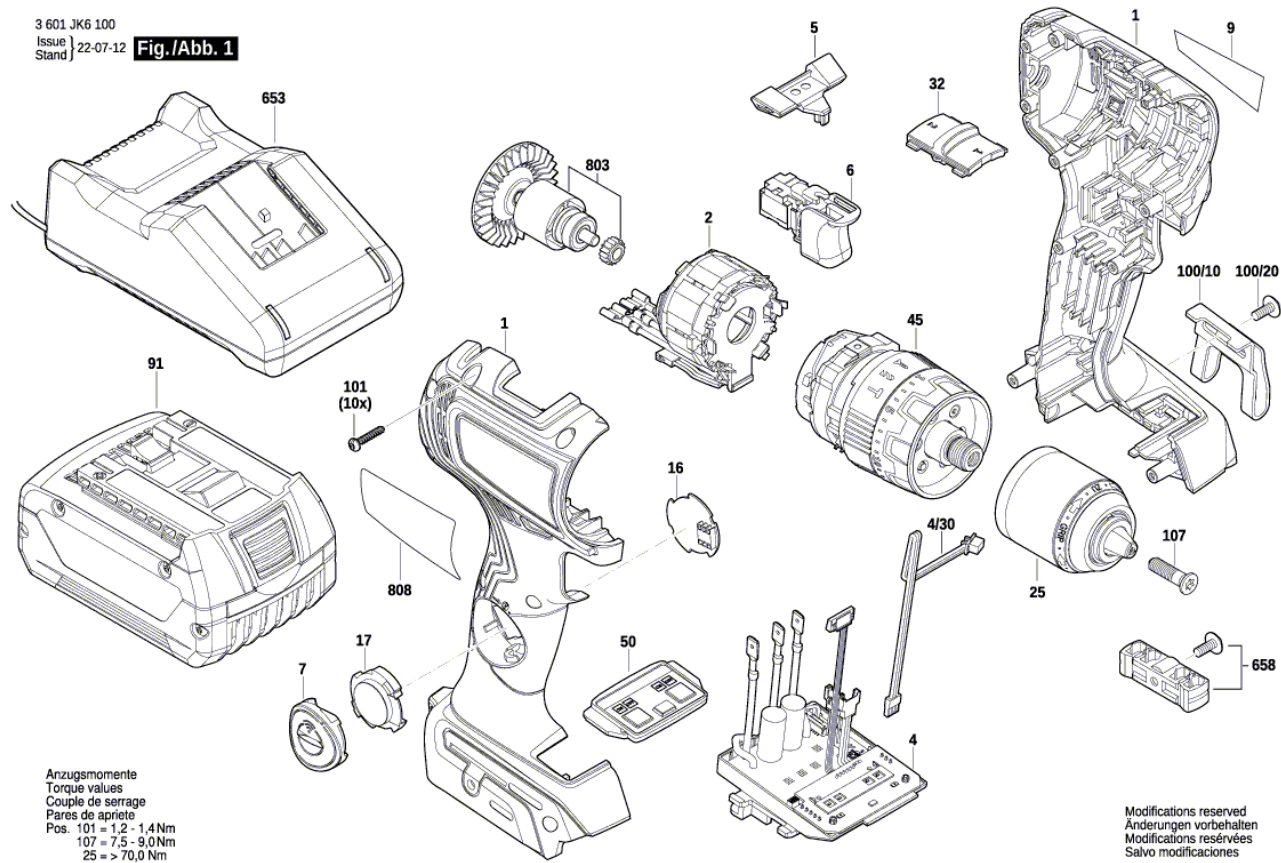
Spare parts list.....	2
Illustration - Type.....	3

## Spare parts list

Item	Part Number	Description
1	1 600 A01 V6W	Housing
2	1 600 A01 W0T	Stator
4	1 607 233 5JS	Electronics Module
4/30	1 607 504 124	Printed-Board Assembly
5	1 600 A02 3EE	Changeover Lever
6	2 607 202 904	Switch
7	1 600 A02 5PZ	Cover unit
9	1 601 11C 4MG	Manufacturer's nameplate
16	1 600 A01 6CZ	Electronics Module
17	1 600 A02 KY7	Cover Panel
25	1 600 A01 22S	Keyless Chuck
32	1 600 A02 477	Switchover Unit
45	1 600 A01 24V	Gear Box
50	1 600 A02 5W9	Separator
91	1 607 A35 0MA	Battery Pack      GBA 18V 2.0Ah
100/10	2 609 111 584	Clip
100/20	2 609 110 834	Screw
101	2 609 110 353	Torx Oval-Head Screw
107	2 603 421 229	Countersunk-Head Screw      M6x23 LEFTHAND THREADS
653	2 607 226 267	Fast Charger      CN GAL 18V-40
658	2 609 199 748	Bit holder
803	1 600 A02 9PG	Rotor
808	1 601 11A 9DS	Nameplate

Illustration - Type - E

3 601 JK6 100  
Issue | 22-07-12  
Stand | **Fig./Abb. 1**



Anzugsmomente  
Torque values  
Couple de serrage  
Pares de apriete  
Pos. 101 = 1,2 - 1,4Nm  
107 = 7,5 - 9,0Nm  
25 = > 70,0 Nm

Modifications reserved  
Änderungen vorbehalten  
Modifications réservées  
Salvo modificaciones