

## Cordl Perc Screwdr - 3 601 JG2 110 - GSB18V-535C

www.powertools-aftersaleservice.com

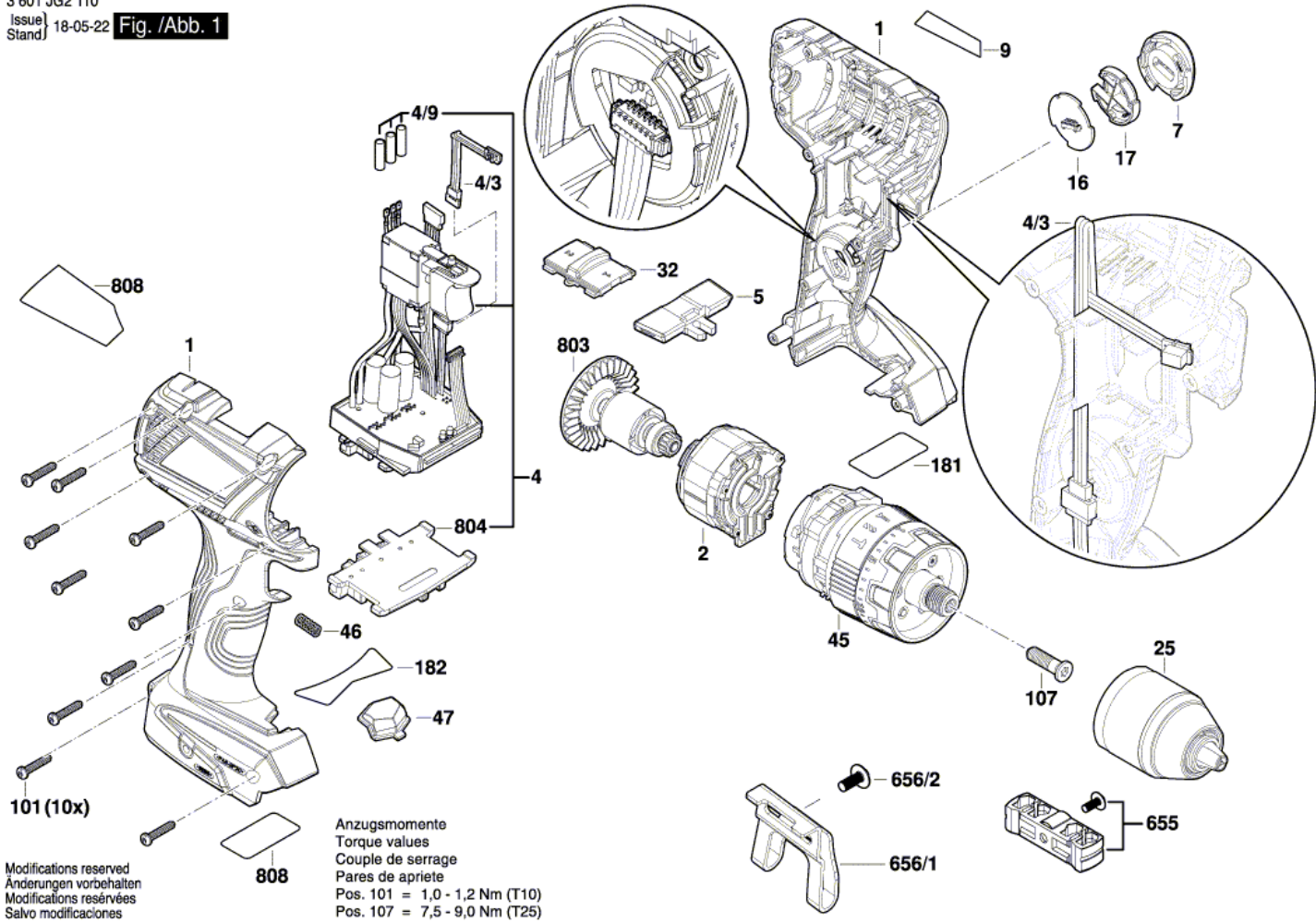


**BOSCH**

Item	Part Number	Description	Illustration	Price	Quantity	Price Group
1	1 600 A00 H64	Housing	1	-,-	1	28
2	1 619 P13 836	Stator	1	-,-	1	35
4	1 607 233 5EY	Electronics Module	1	-,-	1	47
4/3	1 607 503 369	Printed-Board Assembly	1	-,-	1	20
4/9	1 600 712 03J	Shrinkable Tube	1	-,-	1	10
5	2 609 101 484	Adjusting lever	1	-,-	1	10
7	1 600 A00 RU8	Cover unit	1	-,-	1	12
9	1 601 11C 1V4	Manufacturer's nameplate	1	-,-	1	13
16	1 607 503 333	Printed-Board Assembly	1	-,-	1	24
17	1 600 A00 M53	Cover Panel	1	-,-	1	10
25	1 600 A01 22S	Keyless Chuck	1	-,-	1	36
32	2 609 199 812	Switchover Unit	1	-,-	1	11
45	1 600 A01 24V	Gear Box	1	-,-	1	38
46	1 609 280 477	Compression Spring	1	-,-	1	11
47	2 609 101 490	Lens	1	-,-	1	11
91	2 607 336 819	Battery Pack USA BAT620 18V 4,0Ah	2	-,-	1	51
91/1/22	2 601 115 537	Sticker	2	-,-	1	13
101	2 609 110 353	Torx Oval-Head Screw	1	-,-	13	10
107	1 603 435 08G	Countersunk-Head Screw	1	-,-	1	10
181	2 609 134 293	Warning Label	1	-,-	1	13
182	2 610 045 280	Warning Plate	1	-,-	1	13
653	2 607 225 927	Charger USA BC 1880 CV 13,3-18V/120V	2	-,-	1	47
655	2 609 199 748	Bit holder	1	-,-	1	12
656/1	2 609 111 584	Clip	1	-,-	1	15
656/2	2 609 110 834	Screw	1	-,-	1	11
803	2 609 199 894	DC motor 18V	1	-,-	1	33
804	1 609 280 820	Contact retainer 18V	1	-,-	1	18
808	1 601 11A 6BR	Nameplate GSB 18V-535C	1	-,-	1	13

3 601 JG2 110  
 Issue/Stand 18-05-22

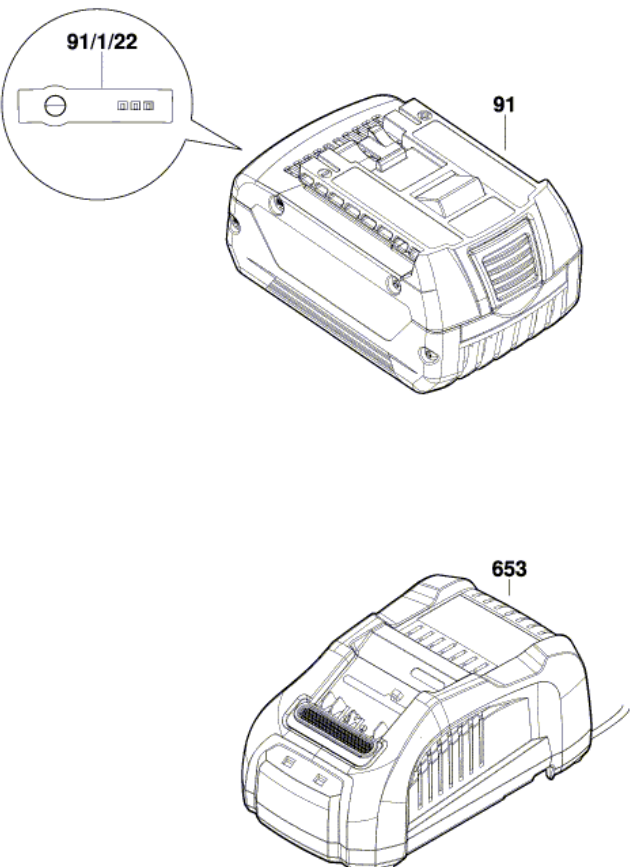
**Fig. /Abb. 1**



Modifications reserved  
 Änderungen vorbehalten  
 Modifications réservées  
 Salvo modificaciones

Anzugsmomente  
 Torque values  
 Couple de serrage  
 Pares de apriete  
 Pos. 101 = 1,0 - 1,2 Nm (T10)  
 Pos. 107 = 7,5 - 9,0 Nm (T25)

Illustration - Type E



3 601 JG2 110  
Issue/ 18-05-23 **Fig. /Abb. 2**  
Stand/

Modifications reserved  
Änderungen vorbehalten  
Modifications réservées  
Salvo modificaciones

Information subject to change without further notice.