



**BOSCH**

# Cordl Perc Screwdr

GSB18V-1330C | 3 601 JJ5 110

---

## Table of Content

Spare parts list.....	2
Illustration - Type.....	3

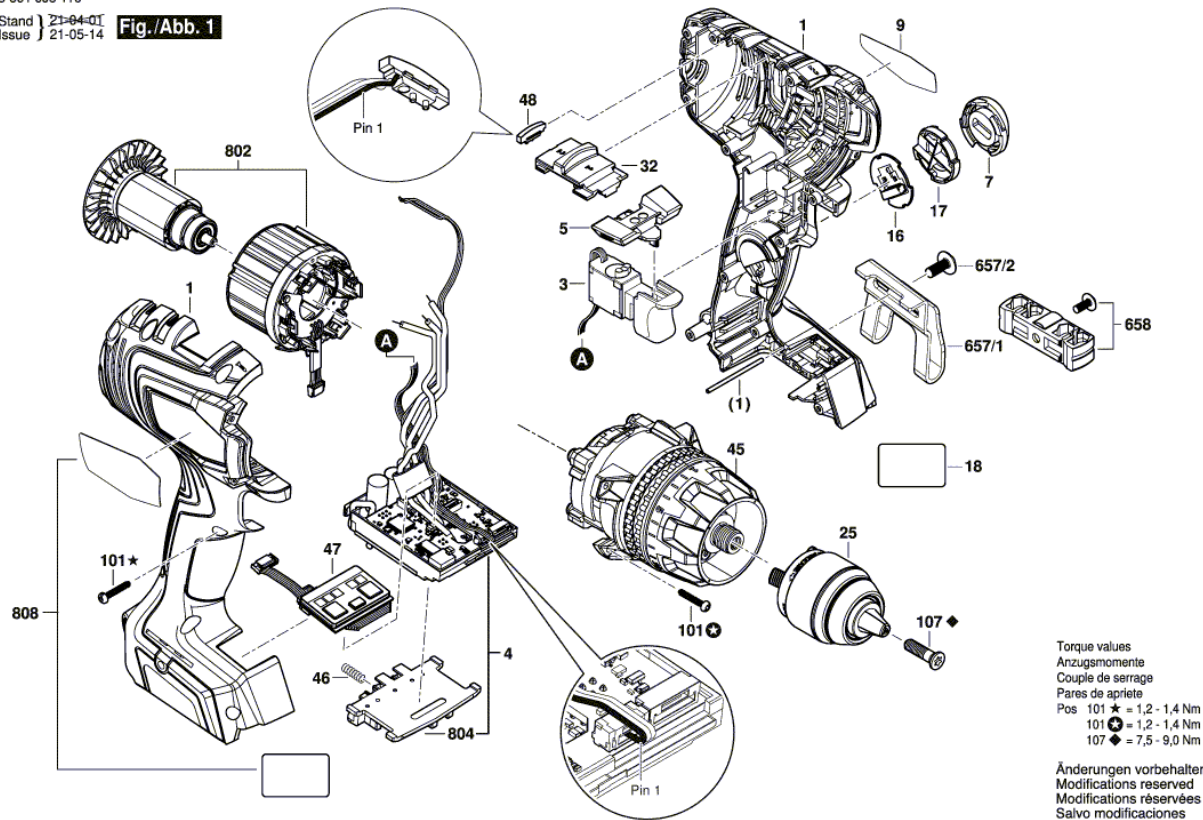
**Spare parts list**

<b>Item</b>	<b>Part Number</b>	<b>Description</b>		<b>Illustration</b>
1	1 600 A01 3TC	Housing		1
3	2 607 202 501	Switch		1
4	1 607 233 5G8	Electronic Module		1
5	1 600 A01 RH7	Changeover Lever		1
7	1 600 A01 TN9	Cover unit		1
9	1 601 11C 47Z	Manufacturer's nameplate		1
16	1 600 A01 6CZ	Electronics Module		1
17	1 600 A02 KY7	Cover Panel		1
18	1 600 A01 4J4	Warning Label		1
25	1 600 A02 HZ9	Keyless Chuck		1
32	1 600 A01 C95	Switchover Unit		1
45	1 600 A01 26S	Gear Box		1
46	1 609 280 477	Compression Spring		1
47	1 607 233 5LS	Electronic Module		1
48	1 607 233 5LY	Electronic Module		1
101	2 609 110 353	Torx Oval-Head Screw		1
107	2 603 421 229	Countersunk-Head Screw LEFTHAND THREADS	M6x23	1
657/1	2 609 111 584	Clip		1
657/2	2 609 110 834	Screw		1
658	2 609 199 748	Bit holder		1
802	1 600 A02 4CL	Brushless DC motor		1
804	1 600 A02 3LU	Contact retainer		1
808	1 601 11A 8NH	Nameplate		1
91	1 607 A35 0AP	Battery Pack ProCore SCM	USA GBA18V40 18V 4.0Ah	2
91	1 607 A35 0CH	Battery Pack SCM	GBA18V80 8.0Ah ProCore	2
91	1 607 A35 0CM	Battery Pack	USA GBA18V120	2
653	2 607 225 927	Charger	USA BC 1880 CV 13,3-18V/120V	2
653	2 607 226 325	Fast Charger	USA GAL 18V-160 C 120V	2
662	1 602 025 07Y	Auxiliary Handle		2

Illustration - Type - E

3 601 JJ5 110  
 Stand } 21-04-01  
 Issue } 21-05-14

Fig./Abb. 1

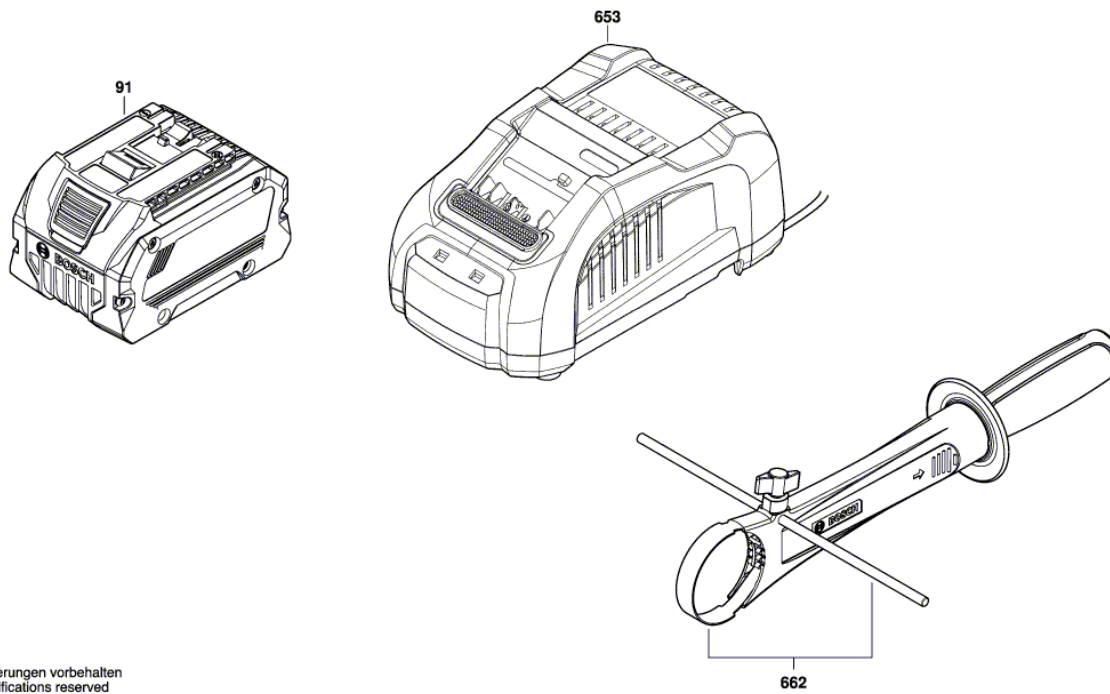


Torque values  
 Anzugsmomente  
 Couple de serrage  
 Pares de apriete  
 Pos 101 ★ = 1,2 - 1,4 Nm  
 101 ◉ = 1,2 - 1,4 Nm  
 107 ◆ = 7,5 - 9,0 Nm

Änderungen vorbehalten  
 Modifications reserved  
 Modifications réservées  
 Salvo modificaciones

Illustration - Type - E

3 601 JJ5 110  
Stand } 21-04-01 **Fig./Abb. 2**  
Issue }



Änderungen vorbehalten  
Modifications reserved  
Modifications réservées  
Salvo modificaciones