



BOSCH

Cordl Perc Screwdr

GSB 14,4 VE-2-LI | 3 601 JD9 280

Table of Content

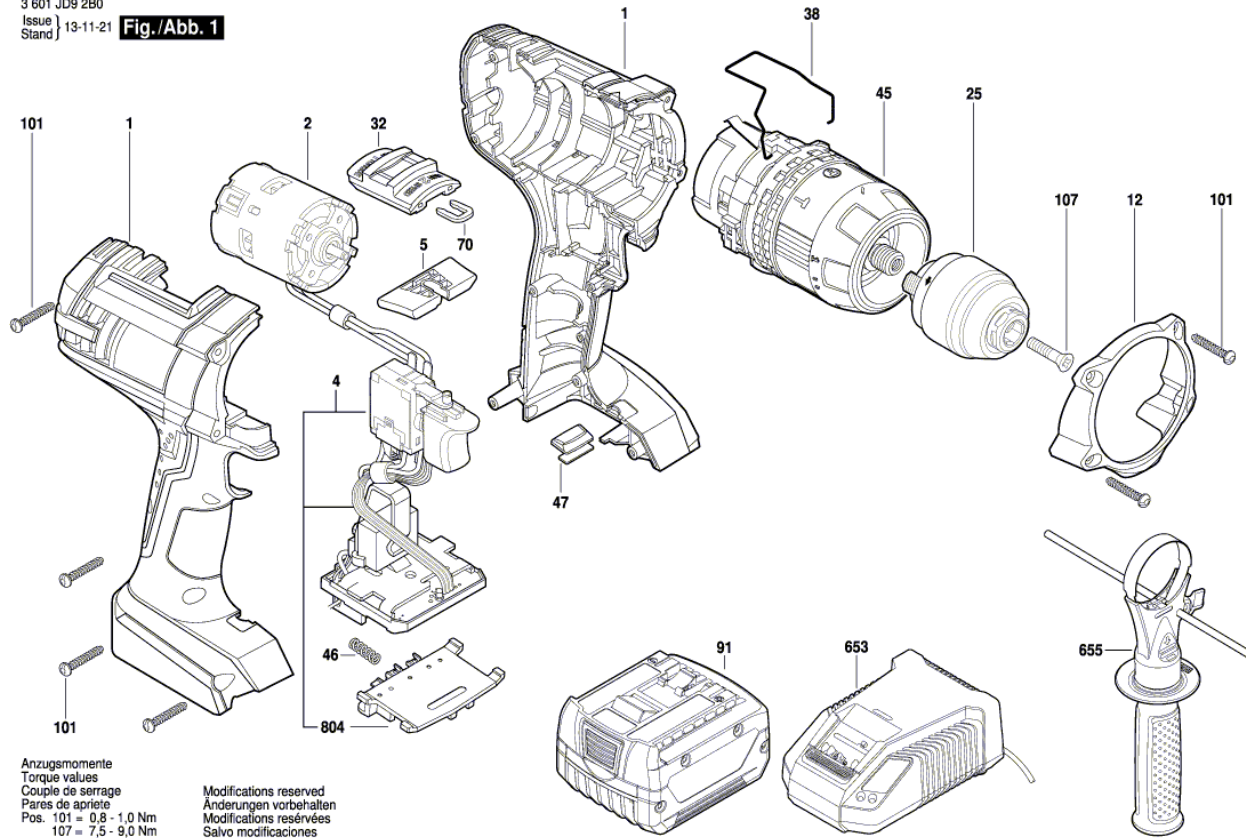
Spare parts list.....	2
Illustration - Type.....	3

Spare parts list

Item	Part Number	Description
1	2 609 100 874	Housing Section
2	1 607 022 608	DC motor 14,4V
4	1 607 233 582	Electronics Module
5	2 609 100 877	Adjusting lever
12	2 609 111 024	Front Cap
25	2 609 111 104	Keyless Chuck
32	2 609 100 878	Adjusting lever
38	2 609 111 021	Switch Spring
45	2 609 199 675	Gear Box
46	1 609 280 477	Compression Spring
47	2 609 101 350	Lens
70	2 609 110 537	Clip
91	2 607 336 813	Battery Pack BBS-MR XL-PACK 14,4V, LI, 4,0 Ah
101	2 609 110 353	Torx Oval-Head Screw
107	2 603 421 229	Countersunk-Head Screw M6x23 LEFTHAND THREADS
653	2 607 225 937	Charger CN GAL 1880 CV 220V/14,4-18V
655	2 609 199 662	Auxiliary Handle
804	1 609 280 478	Contact retainer

Illustration - Type - E

3 601 JD9 280
 Issue |
 Stand | 13-11-21 **Fig./Abb. 1**



Anzugsmomente
 Torque values
 Couple de serrage
 Pares de apriete
 Pos. 101 = 0,8 - 1,0 Nm
 107 = 7,5 - 9,0 Nm

Modifications reserved
 Änderungen vorbehalten
 Modifications réservées
 Salvo modificaciones