

Reciprocating saw - 3 601 FA8 110 - GSA18V-125

www.powertools-aftersaleservice.com

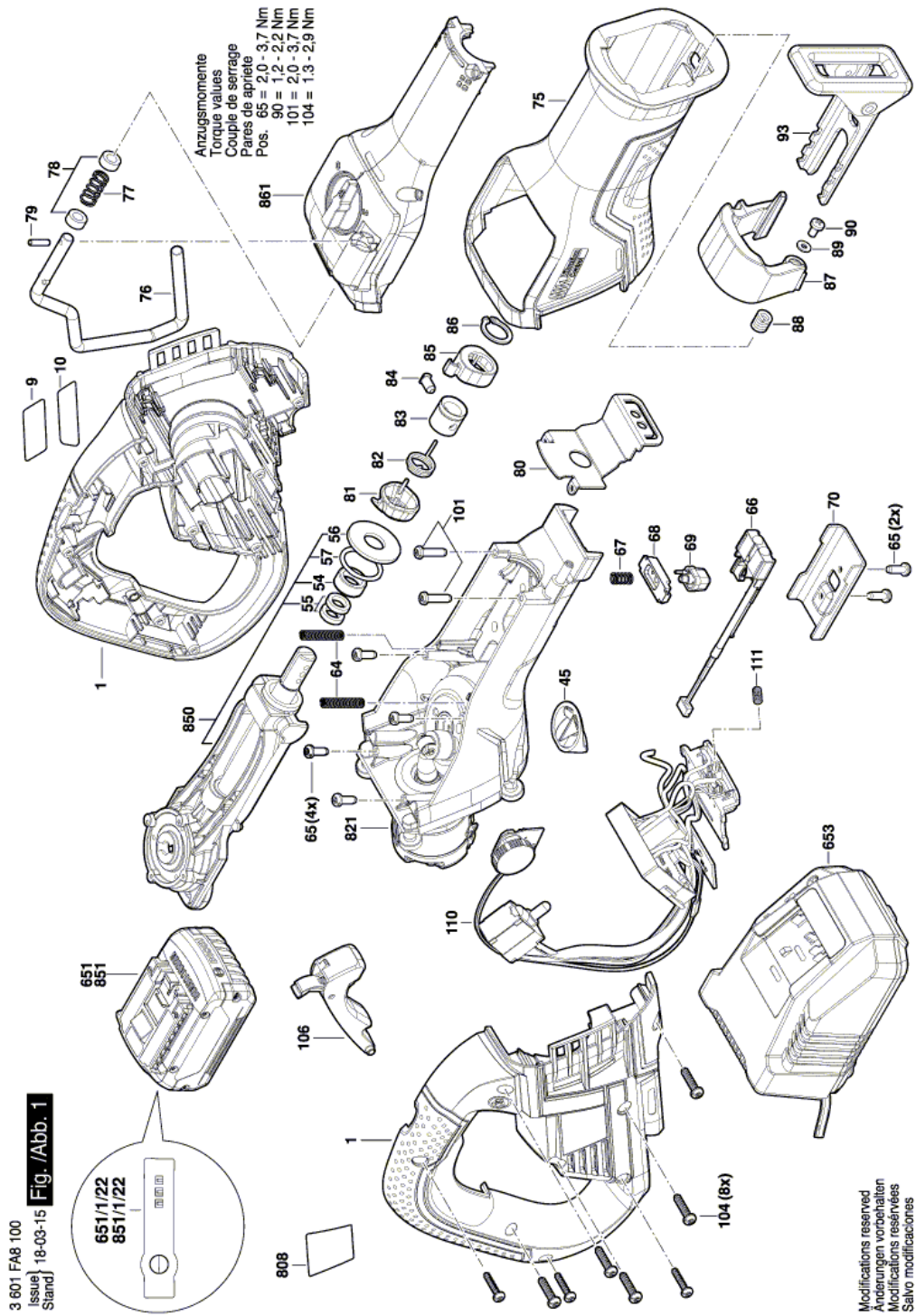


BOSCH

Item	Part Number	Description	Illustration	Price	Quantity	Price Group
1	2 605 105 218	Housing Section	1	-,-	1	32
9	1 601 11C 0P2	Manufacturer's nameplate GSA18V-125	1	-,-	1	13
10	2 601 113 630	Sticker EC	1	-,-	1	13
45	2 601 099 301	Cover	1	-,-	1	12
54	2 600 109 124	Sheet metal cover	1	-,-	1	10
55	2 600 109 125	Felt seal ring	1	-,-	1	10
56	2 600 109 126	Felt seal ring	1	-,-	1	10
57	1 900 210 124	O-Ring 25x2 MM	1	-,-	1	14
64	2 604 618 021	Compression Spring	1	-,-	2	10
65	2 603 410 049	Thread-forming tap. Screw M4x12 MM	1	-,-	6	11
66	1 609 271 BS3	Assembly	1	-,-	1	24
67	2 601 016 121	Compression Spring	1	-,-	1	11
68	2 601 016 124	Bridge	1	-,-	1	15
69	2 601 016 122	Push-Button	1	-,-	1	14
70	2 601 016 123	Holding Plate	1	-,-	1	21
75	2 605 105 217	Rubber Hose	1	-,-	1	27
76	2 601 990 056	Hook	1	-,-	1	28
77	2 604 618 020	Compression Spring	1	-,-	1	10
78	2 600 406 039	Bushing	1	-,-	2	10
79	2 917 780 078	Slotted Spring Pin	1	-,-	1	10
80	2 600 000 049	Sheet metal cover	1	-,-	1	11
81	2 605 191 323	Cover	1	-,-	1	11
82	2 604 690 067	Torsion Spring	1	-,-	1	10
83	2 600 406 038	Sleeve	1	-,-	1	18
84	2 602 388 026	Clamp Pin	1	-,-	1	12
85	2 600 400 078	Clamping Sleeve	1	-,-	1	23
86	2 916 650 009	Spring retaining ring DIN 471 18x1,2MM	1	-,-	1	10
87	2 607 990 159	Ejection Lever	1	-,-	1	23
88	2 604 610 152	Torsion Spring	1	-,-	1	10
89	2 916 011 010	Plain Washer DIN 125-A4,3-ST	1	-,-	1	10
90	2 603 413 035	Oval-Head Screw M4x8	1	-,-	3	10
93	2 601 016 120	Base Plate	1	-,-	1	32
101	2 603 410 051	Thread-forming tap. Screw	1	-,-	6	10

Item	Part Number	Description	Illustration	Price	Quantity	Price Group
104	2 603 490 023	Torx Oval-Head Screw 4x20	1	-,-	8	10
106	1 600 A00 XF7	locking assembly	1	-,-	1	22
110	1 607 233 5A5	Electronics Module	1	-,-	1	49
111	2 604 690 055	Compression Spring	1	-,-	1	10
651	2 607 337 069	Battery Pack BBS MR, 18V, 5,0 Ah LI	1	-,-	1	51
651/1/22	2 601 115 537	Sticker	1	-,-	1	13
653	2 607 225 921	Charger EU GAL 1880 CV 230/14,4-18V	1	-,-	1	47
653	2 607 225 923	Charger GB GAL 1880 CV 230/14,4-18V	1	-,-	1	47
808	1 601 11A 3HL	Nameplate	1	-,-	1	13
821	1 607 000 CF0	Motor-gearbox assembly	1	-,-	1	50
850	1 607 000 CF2	Rocker Rod	1	-,-	1	42
851	1 607 A35 01A	Battery Pack GBA 18V 6.3 AH 114Wh	1	-,-	1	54
851	2 607 337 267	Battery Pack GBA 18V 6,0Ah M-C	1	-,-	1	53
851/1/22	1 601 11C 0PB	Sticker	1	-,-	1	13
861	1 607 000 CF1	plastic covering	1	-,-	1	29

Illustration - Type E



Information subject to change without further notice.