



BOSCH

Rotary tool

GRO 12V-35 | 3 601 JC5 080

Table of Content

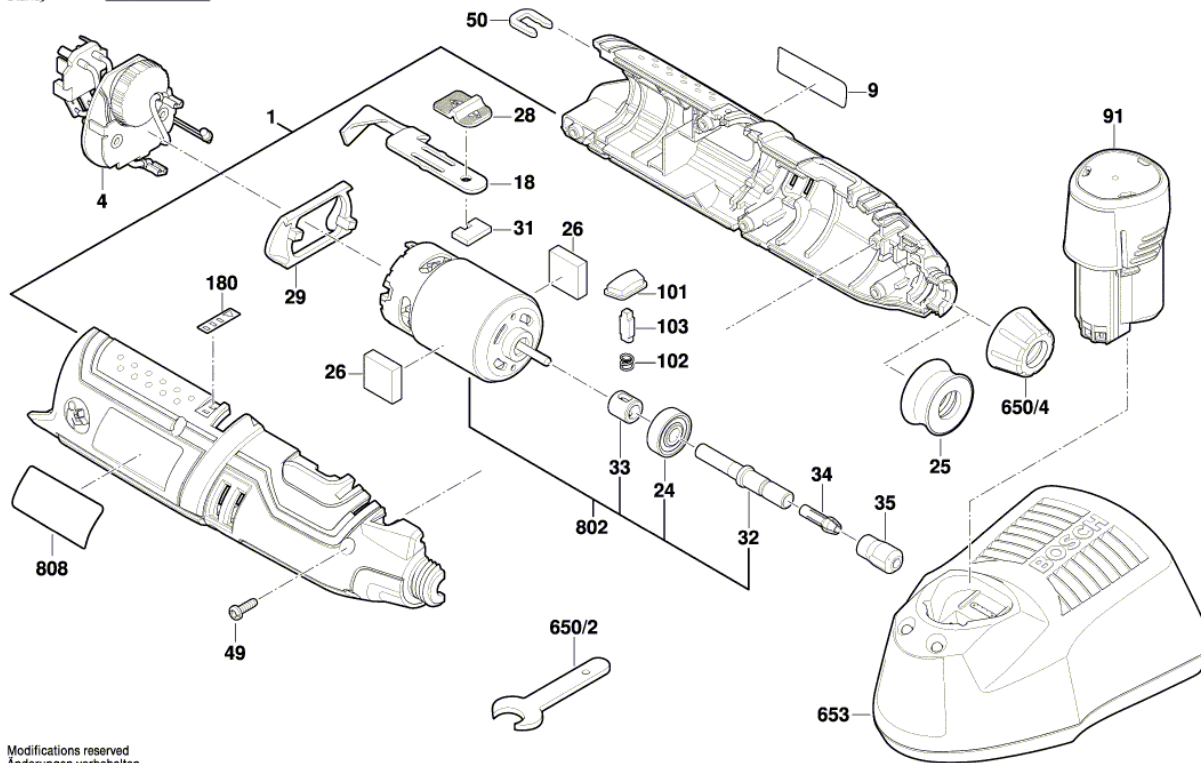
Spare parts list.....	2
Illustration - Type.....	3

Spare parts list

Item	Part Number	Description
1	1 619 P10 420	Motor Housing
4	1 619 P10 421	Electronics Module
9	1 619 P14 289	Manufacturer's nameplate GRO 12V-35
18	1 619 P10 424	Switch Slide
24	1 619 P10 427	groove ball bearing
25	1 619 P10 426	Front Cap
26	1 619 P10 907	Sponge
28	1 619 P10 425	Switch Button
29	1 619 P10 428	Air-Deflector Ring
31	1 619 P11 488	Sponge
32	1 619 P10 430	Grinding Spindle
33	1 619 P10 431	Locking Ring
34	2 615 110 480	contour sleeve 1/8"
35	2 610 014 582	Nut
49	1 619 P00 220	Torx Oval-Head Screw 3x10
50	1 619 P08 646	Clip
91	1 607 A35 049	Battery Pack 12V, 2,5Ah, LI GBA
91	1 607 A35 0C5	Battery Pack GBA 12V 2.0Ah Li SCM
101	1 619 P10 432	Push-Button
102	1 619 P10 433	Compression Spring
103	1 619 P10 429	Slotted Pin
180	1 619 P10 386	Sticker
650/2	2 610 930 692	Chuck Wrench
650/4	1 619 P11 344	Front Cap
653	2 607 225 303	Fast Charger CN 220/10,8V, 30 MIN.
802	1 619 P11 459	DC motor
808	1 619 P16 834	Nameplate

Illustration - Type - E

3 601 J C5 000
 Issue | 13-09-12
 Stand | Fig./Abb. 1



Modifications reserved
 Änderungen vorbehalten
 Modifications réservées
 Salvo modificaciones