



BOSCH

Laser Level

GRL 145HV | 3 601 K61 010

Table of Content

Spare parts list.....	2
Illustration - Type.....	3

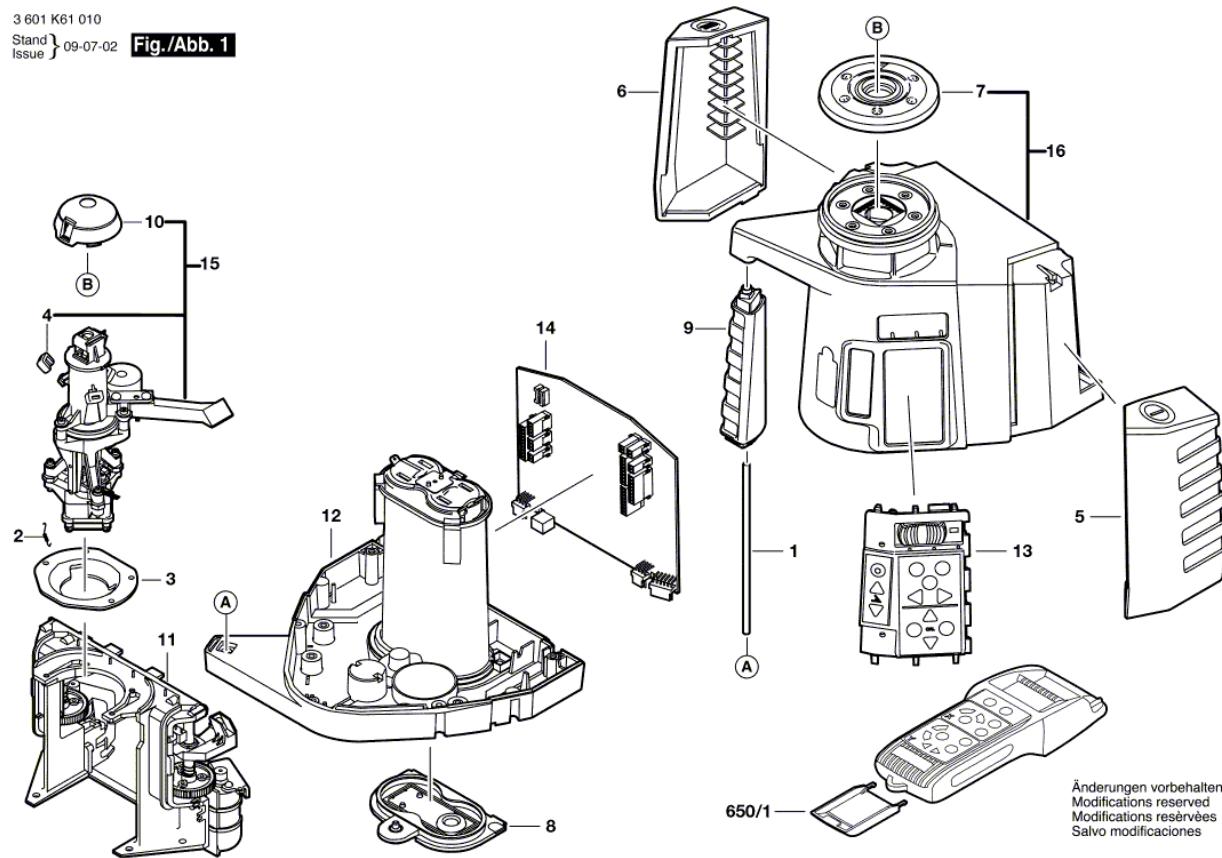
Spare parts list

Item	Part Number	Description	Illustration	Price	Quantity	Price Group
1	1 618 C01 543	Threaded Rod	1	-	1	
2	1 618 C01 567	Spring	1	-	3	
3	1 618 C01 596	Metal Frame	1	-	1	
4	1 618 C01 622	Pad	1	-	3	
5	1 618 C01 015	External Gripper	1	-	1	
6	1 618 C01 016	External Gripper	1	-	1	
7	1 618 C01 048	External Gripper	1	-	1	
8	1 618 C01 026	Battery Cover	1	-	1	
9	1 618 C01 469	Handle	1	-	1	
10	1 618 C01 632	Cap	1	-	1	
11	1 618 C01 028	Subassembly	1	-	1	
12	1 618 C01 024	Base frame	1	-	1	
13	1 618 C01 032	Key Switch	1	-	1	
14	1 618 C01 041	Printed-Board Assembly	1	-	1	
15	1 618 C01 030	Optical System	1	-	1	
16	1 618 C01 042	Cover Frame	1	-	1	
650/1	1 618 C00 822	Battery Cover	1	-	1	

* Prices shown are suggested retail prices

Illustration - Type - E

3 601 K61 010
 Stand } 09-07-02
 Issue } **Fig./Abb. 1**



Änderungen vorbehalten
 Modifications reserved
 Modifications réservées
 Salvo modificaciones