

Model GRH01Z Parts List

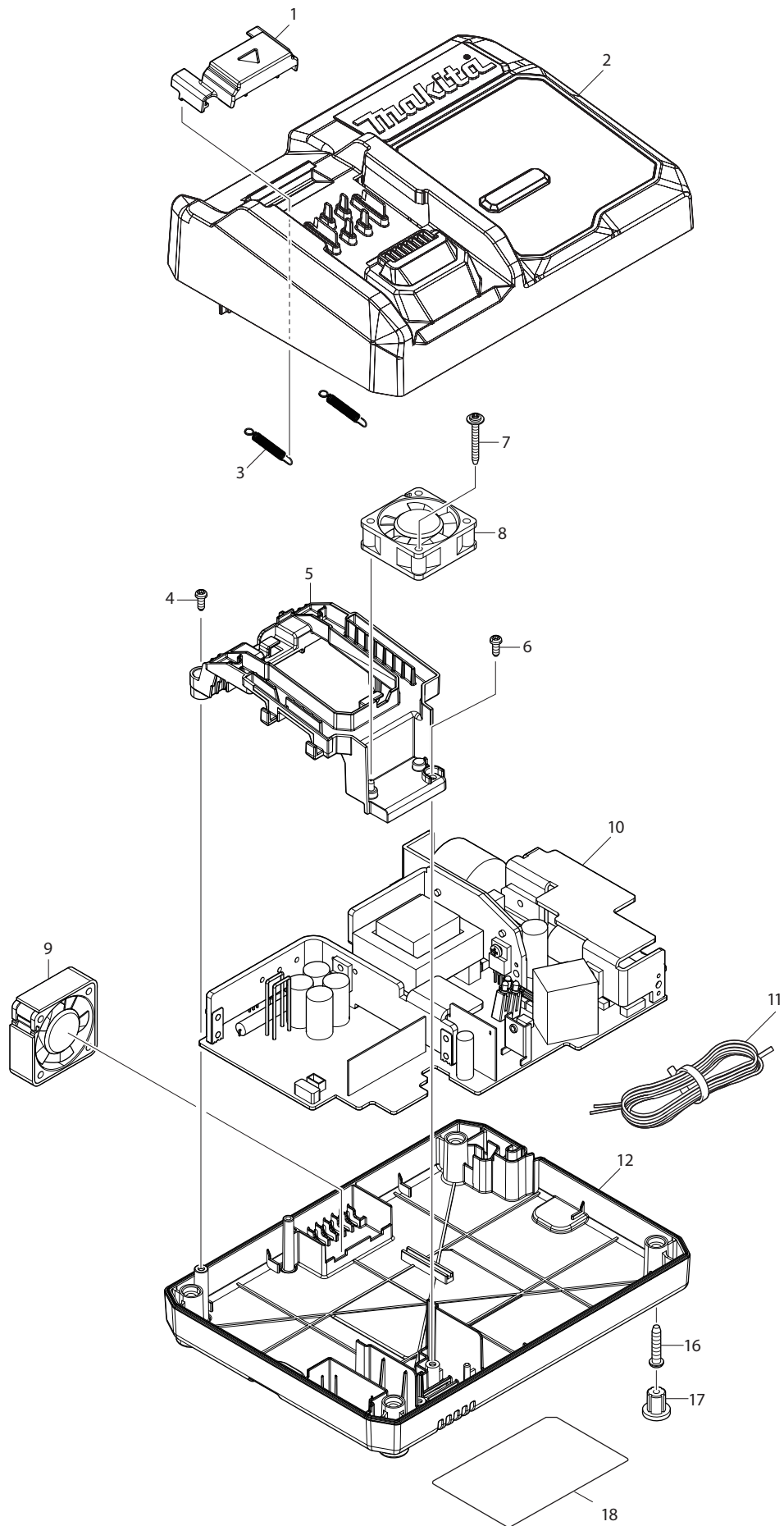
A = Standard Equipment

O = Circuit Diagram

Item#	Part#	Description	Q'ty Unit
001	286288-8	CAP 35	1 PC.
002	233989-9	RING SPRING 14	1 PC.
003	346834-0	WASHER 16	1 PC.
004	233992-0	RING SPRING 15	1 PC.
005	267114-0	FLAT WASHER 17	1 PC.
006	455393-4	CHUCK COVER	1 PC.
007	325813-1	RING 21	1 PC.
008	346177-0	GUIDE WASHER	1 PC.
009	233916-6	CONICAL COMP. SPRING 21-29	1 PC.
010	126882-3	GRIP ASSEMBLY	1 PC.
	D10	INC. 11-19	
011	144959-2	LOCK BUTTON COMPLETE	1 PC.
012	233360-7	COMPRESSION SPRING 4	1 PC.
013	265625-9	THUMB SCREW M6X50	1 PC.
014	422258-5	SPONGE SHEET	1 PC.
015	458355-1	SIDE HANDLE BASE	1 PC.
016	931302-2	HEX. NUT M6	1 PC.
017	458357-7	GRIP 36	1 PC.
018	422255-1	CAP	1 PC.
019	161838-9	FIX PIN	1 PC.
020	266351-3	TAPPING SCREW 4X35	4 PC.
021	144965-7	GEAR HOUSING COMPLETE	1 PC.
	C10	213345-9 OIL SEAL 25	1 PC.
	C20	331890-3 CUP SLEEVE	1 PC.
022	211294-4	BALL BEARING 6806LLU	1 PC.
023	211012-0	BALL BEARING 606ZZ	1 PC.
024	233360-7	COMPRESSION SPRING 4	1 PC.
025	347228-2	LOCK PLATE	1 PC.
026	213278-8	O RING 17	1 PC.
027	135961-6	CHANGE LEVER ASSY	1 PC.
	D10	INC. 26	
028	234264-6	COMPRESSION SPRING 3	1 PC.
029	457709-9	LOCK BUTTON	1 PC.
030	216022-2	STEEL BALL 7.0	2 PC.
031	216019-1	STEEL BALL 3	4 PC.
032	142972-4	TOOL HOLDER COMPLETE	1 PC.
	C10	213344-1 OIL SEAL 9	1 PC.
033	332139-4	DRIVING FLANGE	1 PC.
034	227360-7	SPUR GEAR 51	1 PC.
035	234148-8	COMPRESSION SPRING 31	1 PC.
036	267153-0	FLAT WASHER 30	1 PC.
037	257932-4	SPIRO LOCK WASHER 30	1 PC.
038	267153-0	FLAT WASHER 30	1 PC.
039	325783-4	SLEEVE 9B	1 PC.
040	325789-2	IMPACT BOLT A	1 PC.
041	325792-3	WASHER 10	1 PC.
042	234149-6	COMPRESSION SPRING 20	1 PC.
043	325793-1	O-RING CASE B	1 PC.
044	213073-6	O RING 9	1 PC.

045	233979-2	RING SPRING 28	1 PC.	
046	325784-2	STRIKER	1 PC.	
047	213258-4	O RING 17.5	1 PC.	
048	327079-9	PISTON CYLINDER	1 PC.	
049	346036-8	GUIDE PLATE	1 PC.	
050	324215-8	PISTON JOINT	1 PC.	
051	232449-8	COMPRESSION SPRING 14	1 PC.	
052	265A87-7	TORX SOCKET BUTTON BOLT M4X8	1 PC.	
053	347344-0	SPRING GUIDE	1 PC.	
054	922148-7	HEX. SOCKET HEAD BOLT M4X25	2 PC.	
055	144960-7	INNER SUPPORT COMPLETE	1 PC.	
056	257336-0	STOP RING EXT U-6	1 PC.	
057	253186-1	FLAT WASHER 7	1 PC.	
058	226170-9	SPUR GEAR 10	1 PC.	
059	332125-5	CLUTCH CAM	2 PC.	
060	327078-1	CAM SHAFT	1 PC.	
061	219030-2	SWASH BEARING 10	1 PC.	
062	257321-3	RING 8	1 PC.	
063	346538-4	WEIGHT HOLDER GUIDE	2 PC.	
064	253077-6	FLAT WASHER 6	1 PC.	
065	961018-5	STOP RING E-5	1 PC.	
066	310869-7	COUNTER WEIGHT	1 PC.	
067	922148-7	HEX. SOCKET HEAD BOLT M4X25	2 PC.	
068	319674-9	BEARING BOX	1 PC.	
069	211031-6	BALL BEARING 608ZZ	1 PC.	
070	347343-2	BEARING RETAINER B	1 PC.	
071	221599-4	SPIRAL BEVEL GEAR 32	1 PC.	
072	213850-6	O-RING 74	1 PC.	
073	256536-9	FLAT FILLISTER HD PIN 6	1 PC.	
074	136194-6	INNER HOUSING ASS'Y	1 PC.	
	D10	INC. 52,53,72,76,78		
075	232436-7	COMPRESSION SPRING 10	1 PC.	
076	443153-6	FELT	1 PC.	
077	922118-6	HEX. SOCKET HEAD BOLT M4X12	2 PC.	
078	213008-7	O RING 22.4	1 PC.	
079	347230-5	CHANGE PLATE B	1 PC.	
080	234343-0	COMPRESSION SPRING 5	1 PC.	
081	347229-0	CHANGE PLATE A	1 PC.	
082	346536-8	BEARING RETAINER A	1 PC.	
083	144964-9	SPIRAL BEVEL GEAR 11 COMPLETE	1 PC.	
084	211395-8	BALL BEARING 608LLU	1 PC.	
085	253835-0	FLAT WASHER 8	1 PC.	
086	519513-5	ROTOR ASSY	1 PC.	
	D10	INC. 83-85,87		
087	210022-4	BALL BEARING 626DDW	1 PC.	
088	629454-8	STATOR	1 PC.	
089	652069-6	FLAT HEAD SCREW M3X6	3 PC.	
090	266490-9	TAPPING SCREW PT 2X6	3 PC.	
091	620B98-9	CONTROLLER	1 PC.	
094	140G30-2	CAP COMPLETE	1 PC.	
	C10	213218-6	O RING 16	1 PC.
	C20	818H48-4	CAP LABEL	1 PC.
097	191C37-7	HOOK ASS'Y	1 PC.	
098	911211-1	PAN HEAD SCREW M5X12	2 PC.	
099	620C01-6	SENSOR CIRCUIT	1 PC.	
100	266007-8	TAPPING SCREW BIND PT 3X10	1 PC.	

101	256886-2	ROD 3	2 PC.
102	422472-3	SPONGE SLEEVE 3	4 PC.
103	264002-2	SQUARE NUT M5	2 PC.
104	459184-5	CUSHION RING 12	2 PC.
105	183P00-2	HOUSING SET	1 SET
	C10 8008C5-7	CAUTION LABEL	1 PC.
	D10	INC. 112	
106	266326-2	TAPPING SCREW 4X18	8 PC.
107	856N17-3	GRH01 NAME PLATE	1 PC.
108	8008C4-9	CLEAR LABEL	1 PC.
109	620C00-8	ACCELEROMETER CIRCUIT	1 PC.
110	346039-2	SUPPORT PLATE	1 PC.
111	620549-0	LED CIRCUIT	1 PC.
112	183P00-2	HOUSING SET	1 SET
	C10 8008C5-7	CAUTION LABEL	1 PC.
	D10	INC. 105	
113	233598-4	TORSION SPRING 6	1 PC.
114	313226-8	OPENER	1 PC.
115	632P64-8	TERMINAL UNIT	1 PC.
116	856N24-6	GRH01 SERIAL NO. LABEL	1 PC.
117	266326-2	TAPPING SCREW 4X18	7 PC.
118	183N52-1	HANLDE SET	1 SET
	C10 263005-3	RUBBER PIN 6	2 PC.
	D10	INC. 122	
119	453124-5	F/R CHANGE LEVER	1 PC.
120	651439-6	SWITCH C3JR-4B-2	1 PC.
121	8005T5-8	XGT LOGO LABEL	1 PC.
122	183N52-1	HANLDE SET	1 SET
	C10 263005-3	RUBBER PIN 6	2 PC.
	D10	INC. 118	
123	135966-6	TOOL HOLDER ASSY	1 PC.
	D10	INC. 31-37,39-45	
A01	331886-4	DEPTH GAUGE	1 PC.
A02	194683-7	GREASE VESSEL SET	1 PC.
A03	443122-7	CLOTH	1 PC.



Model DC40RA Parts List

A = Standard Equipment

O = Circuit Diagram

Item#	Part#	Description	Q'ty	Unit
001	459475-4	TERMINAL COVER	1	PC.
002	140N46-9	CHARGER CASE COMPLETE	1	PC.
	C10 459476-2	LENS	1	PC.
	C20 819V01-7	CHARGING CONDITION LABEL	1	PC.
003	232565-6	TENSION SPRING 4	2	PC.
004	265B02-7	TAPPING SCREW 3X8	1	PC.
005	459474-6	TERMINAL BASE	1	PC.
006	265B02-7	TAPPING SCREW 3X8	1	PC.
007	265A61-5	TAPPING SCREW FLANGE 3X25	1	PC.
008	632P24-0	FAN 40	1	PC.
009	632P25-8	FAN 40	1	PC.
010	620B41-8	CHARGING CIRCUIT	1	PC.
010	C11 647075-4	VARISTOR	1	PC.
	C20 652089-0	FUSE	1	PC.
011	667982-5	VINYL CORD #18-2-2.0	1	PC.
012	459846-5	CHARGER CASE COVER	1	PC.
016	265B01-9	TAPPING SCREW PT 4X20	4	PC.
017	286255-3	CAP 13	4	PC.
018	857F48-7	DC40RA NAME PLATE	1	PC.
E01	819V02-5	CAUTION LABEL	1	PC.