

## Angle Grinder - 0 601 331 139 - GR./SIZE 106

www.powertools-aftersaleservice.com



**BOSCH**

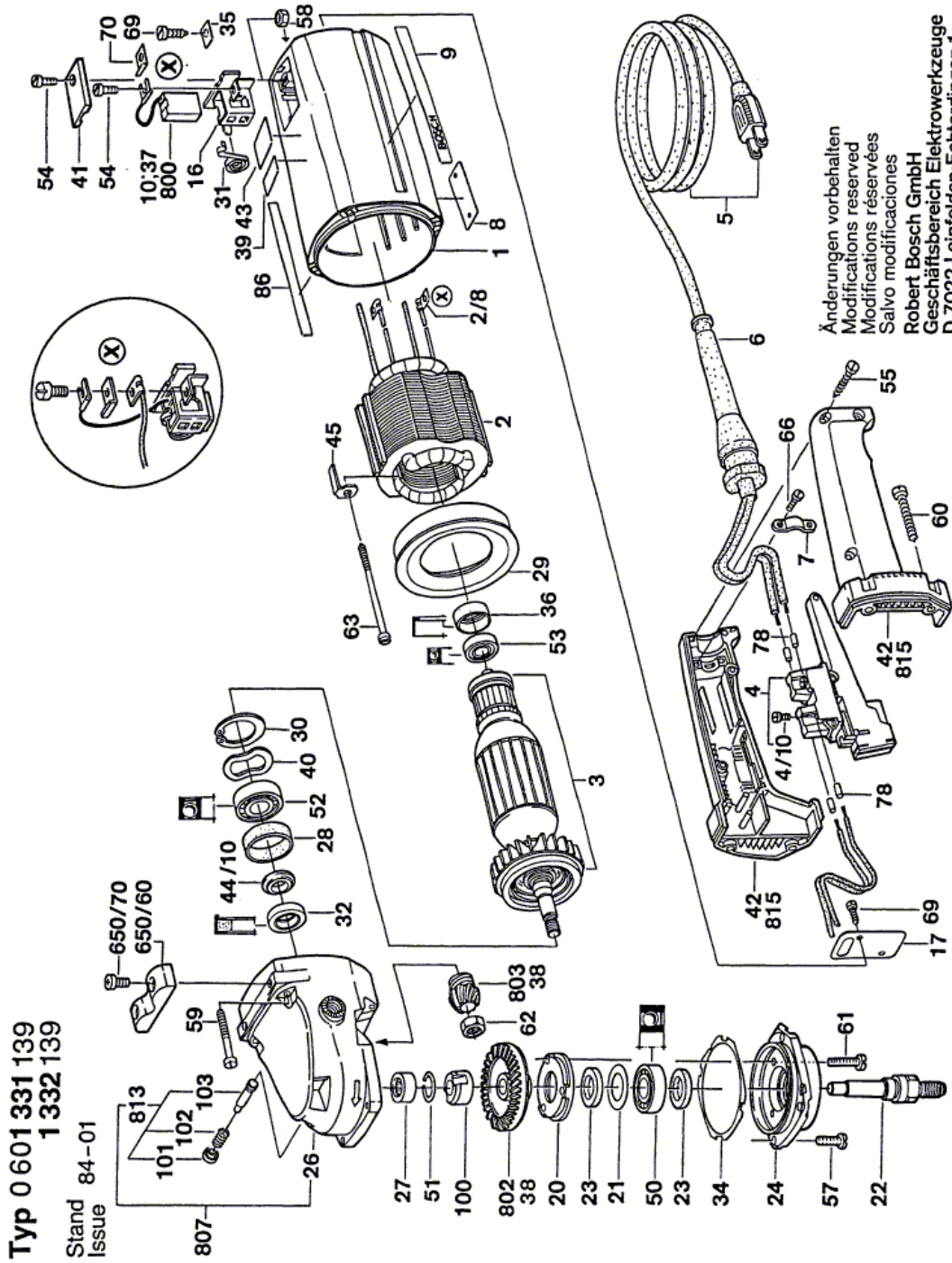
Item	Part Number	Description	Illustration	Price	Quantity	Price Group
1	1 605 108 124	Motor Housing BLUE	1	-,-	1	32
2	1 604 220 247	Field 115V	1	-,-	1	49
2/8	1 901 350 003	Terminal lug 1,5-4x4	1	-,-	2	10
3	1 604 012 046	Armature 100-115V	1	-,-	1	-
4	1 607 200 064	Switch	1	-,-	1	35
5	1 604 460 092	Power supply cord USA/CDN 2,15m 2 x 2,08mm SJ 14/2	1	-,-	1	28
6	3 600 703 011	Grommet Ø9,2-Ø12x120 MM	1	-,-	1	13
7	1 601 302 014	Fastening Clamp	1	-,-	1	11
8	1 601 106 032	Nameplate 26x52 MM	1	-,-	1	13
9	1 601 110 003	Manufacturer's nameplate	1	-,-	1	11
15	1 600 113 002	Seal	N/A	-,-	1	11
16	1 604 336 008	Brush Holder	1	-,-	2	18
17	1 601 037 006	Cover Plate	1	-,-	1	11
20	1 605 808 054	Bearing cover	1	-,-	1	14
21	1 600 102 012	Cover Disc	1	-,-	1	11
22	1 603 523 091	Grinding Spindle 5/8"-UNC-2A	1	-,-	2	38
23	1 600 108 055	Sealing disk	1	-,-	2	11
24	1 607 000 229	Bearing Flange	1	-,-	1	27
27	1 600 910 010	Needle bearing Ø22x11,3 MM	1	-,-	1	36
28	1 600 206 019	Retaining snap ring	1	-,-	1	11
29	1 600 502 013	Guide Pulley	1	-,-	1	11
30	1 600 119 004	Spring retaining ring	1	-,-	1	14
31	1 604 652 015	Spiral Spring	1	-,-	2	11
32	1 600 290 008	Rotary shaft lip seal WHITE	1	-,-	1	13
34	1 600 190 004	Shim 0,1 MM THICK	1	-,-	1	11
34	1 600 190 005	Shim 0,2 MM THICK	1	-,-	1	11
35	1 601 030 022	Tab Washer	1	-,-	2	11
36	1 600 206 015	Rubber Ring	1	-,-	1	11
39	1 601 110 358	Reference Plate CAUTION	1	-,-	1	11
40	1 600 150 009	Spring Washer Ø32,3xØ43,5x0,6 MM	1	-,-	1	14
41	1 605 500 089	Sealing cap BLUE	1	-,-	2	11
43	1 601 110 058	Reference Plate DOUBLE INSULATION	1	-,-	1	11
44/10	1 600 120 070	Faceplate	1	-,-	1	22

Item	Part Number	Description	Illustration	Price	Quantity	Price Group
45	1 601 331 032	Holding Bracket	1	-,-	2	11
50	1 900 905 227	Deep-Groove Ball Bearing 6203-2 Z DIN 625	1	-,-	1	27
51	2 916 620 011	Retaining ring Ø22 MM	1	-,-	1	11
52	1 900 900 413	Deep-Groove Ball Bearing 6203-TH/C3 DIN 625	1	-,-	1	33
53	1 900 900 407	Deep-Groove Ball Bearing 10x26x8	1	-,-	1	32
53	1 600 900 029	Deep-Groove Ball Bearing	1	-,-	1	21
54	2 910 021 118	Socket head cap screw DIN 84-AM4x8-8.8	1	-,-	4	10
55	2 910 211 021	Tapping Screw DIN 7971-ST3,9x22-F	1	-,-	3	10
57	2 910 011 157	Socket head cap screw DIN 84-AM5x15-5.8	1	-,-	4	10
58	2 915 011 005	Hex Nut DIN 934 -M4-m-8	1	-,-	2	10
59	3 603 415 560	Thread-forming tap. Screw B 4,8x45 MM	1	-,-	4	11
60	2 910 211 036	Tapping Screw DIN 7971-ST4,8x25-F	1	-,-	4	10
61	2 910 011 162	Socket head cap screw DIN 84-AM5x20-5.8	1	-,-	3	10
62	1 603 300 009	Hex Nut M12x1,5 MM	1	-,-	1	11
63	1 603 429 001	Tapping Screw B4,8x85 MM	1	-,-	2	11
66	2 910 021 116	Socket head cap screw DIN 84-AM4x6-8.8	1	-,-	2	10
69	2 910 211 011	Tapping Screw DIN 7971-BZ3,5x13	1	-,-	3	10
70	1 611 331 007	Tab Washer	1	-,-	2	11
78	1 900 452 003	End Splice DIN 46 228-A2,5-7	1	-,-	2	11
86	1 601 110 073	Sticker DOUBLE INSULATION	1	-,-	1	14
100	1 600 390 010	Grooved Ring	1	-,-	1	-
650/10	1 602 025 022	Auxiliary Handle M14 BLACK	2	-,-	1	26
650/10	1 602 025 030	Auxiliary Handle M14, Ø37x115 MM BLACK	2	-,-	1	28
650/60	1 608 039 008	Storage Ledge	1	-,-	1	17
650/70	2 910 021 196	Socket head cap screw DIN 84-AM6x15-8.8	1	-,-	2	10
702	1 605 510 180	Protective Cover Ø 230 MM	3	-,-	1	-
702/20	1 600 309 009	Union Ø32,3xØ34,9x75 MM	3	-,-	1	29
702/30	2 915 191 007	Wing Nut DIN 315-M8-GT-C	3	-,-	1	15
702/40	2 916 011 016	Plain Washer DIN 125-A 8,4-ST	3	-,-	1	10
702/50	2 910 141 240	Hex Socket Head Cap Screw DIN 912-M8x18-8.8	3	-,-	1	11
703	1 607 000 140	Parts Set	2	-,-	1	-
703/11	2 603 450 007	Hex Screw M14x16x1,5 MM	2	-,-	2	17
800	1 607 014 103	Carbon-Brush Set	1	-,-	1	26
802	1 606 333 138	Bevel Gear Z=51	1	-,-	1	-
803	1 606 333 209	Bevel Gear Z=18	1	-,-	1	35
807	1 607 000 904	Parts Set	1	-,-	1	-
813	1 607 000 161	Parts Set	1	-,-	1	17
815	1 605 132 083	Handle BLUE	1	-,-	1	30

## Product information Angle Grinder - 0 601 331 139 - GR./SIZE 106

Product No	0 601 331 139
Description	251.828; Angle Grinder
DIN-Text	
ID_Text_Ext	0
Trading_Description	GR./SIZE 106
Voltage_1	115 V
ID_Country_Product	USA

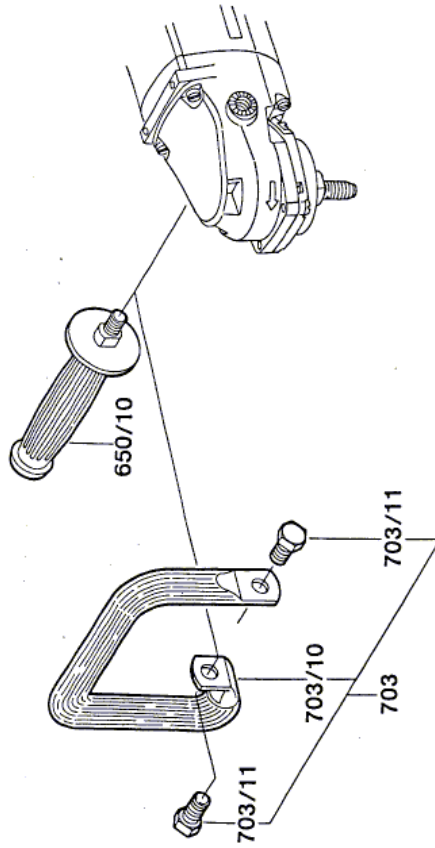
Illustration - Type E



**F2**

Illustration - Type E

**Typ 0 601 331 139**  
**1 332 139**  
Stand 84-01  
Issue

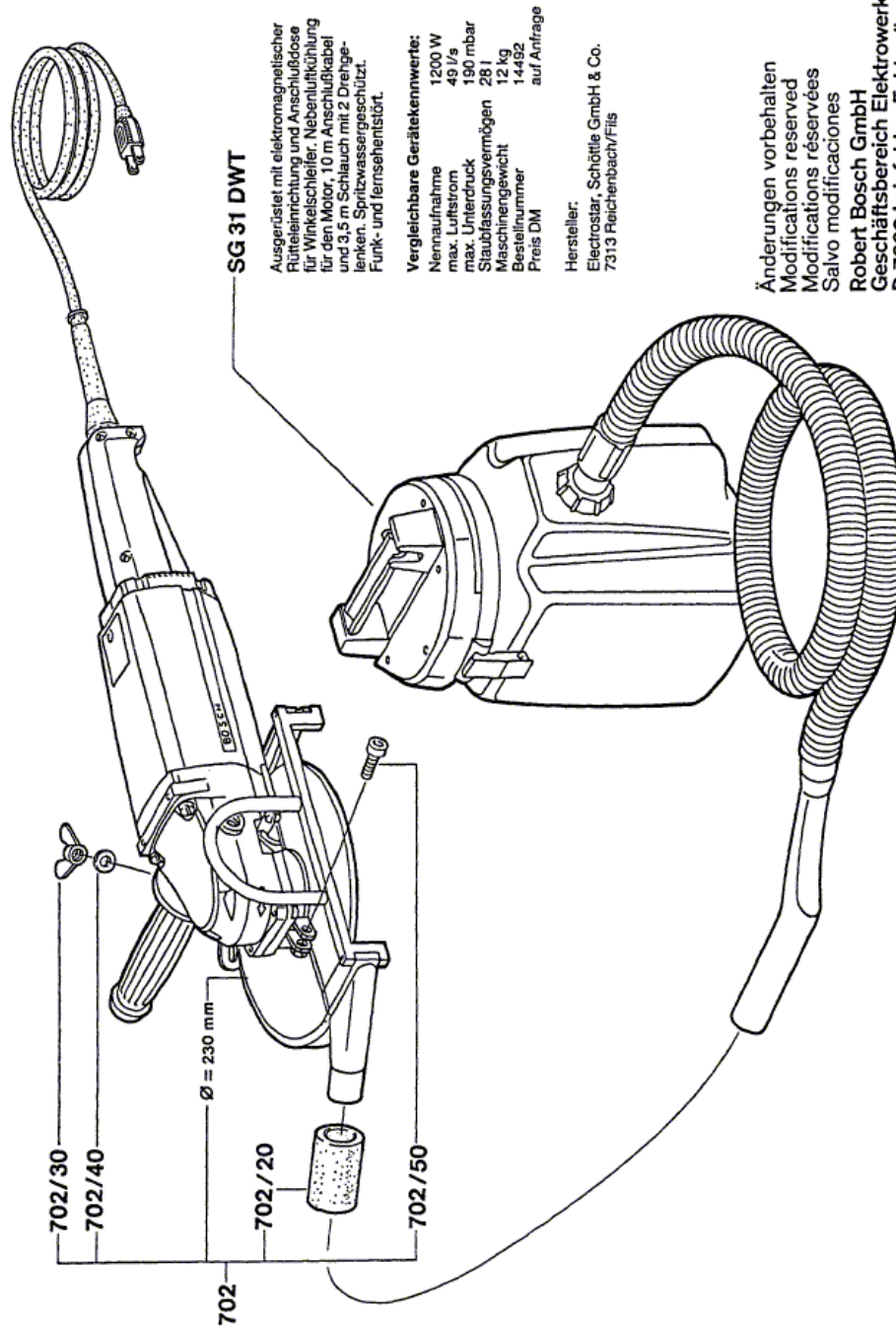


Änderungen vorbehalten  
Modifications reserved  
Modifications réservées  
Salvo modificaciones  
Robert Bosch GmbH  
Geschäftsbereich Elektrowerkzeuge  
D 7022 Leinfelden-Echterdingen 1

800/2

Illustration - Type E

**Typ 0 601 331 139**  
**1 332 139**  
 Stand 84-01  
 Issue



**SG 31 DWT**

Ausgerüstet mit elektromagnetischer Rüttleinrichtung und Anschlußdose für Winkelschleifer. Nebelabfuhrung für den Motor, 10 m Anschlußkabel und 3,5 m Schlauch mit 2 Drehge- lenken. Spritzwassergeschützt. Funk- und fernsehempfindlich.

**Vergleichbare Gerätekenne- werte:**  
 Nennaufnahme 1200 W  
 max. Luftstrom 49 l/s  
 max. Unterdruck 190 mbar  
 Staubfängungsvermögen 28 l  
 Maschinengewicht 12 kg  
 Bestellnummer 14492  
 Preis DM auf Anfrage

Hersteller:  
 Electrostar, Schöttle GmbH & Co.  
 7313 Reichenbach/Fils

Änderungen vorbehalten  
 Modifications reserved  
 Modifications réservées  
 Salvo modificaciones  
**Robert Bosch GmbH**  
**Geschäftsbereich Elektrowerkzeuge**  
**D 7022 Leinfelden-Echterdingen 1**

**F4**

Information subject to change without further notice.