



BOSCH

Power Radio Box

GPB 18V-5 C | 3 601 DA4 010

Table of Content

| | |
|--------------------------|---|
| Spare parts list..... | 2 |
| Illustration - Type..... | 3 |

Spare parts list

| Item | Part Number | Description | Illustration |
|-------------|--------------------|--------------------|---------------------|
| 6 | 1 619 PB5 209 | Cover Flap | 1 |
| 7 | 1 619 PB5 211 | Cover Flap | 1 |
| 11 | 1 619 PB5 212 | Radio Antenna | 1 |
| 17 | 1 619 PB5 832 | Door Seal | 1 |
| 18 | 1 619 PB5 833 | Door Seal | 1 |
| 19 | 1 619 PB5 838 | Rotary Knob | 1 |
| 21 | 1 619 PB5 839 | Rotary Knob | 1 |
| 22 | 1 619 PB5 218 | Cover Flap | 1 |
| 23 | 1 619 PB5 219 | Holder | 1 |
| 32 | 1 619 PB5 228 | Cable Holder | 1 |
| 33 | 1 619 PB5 229 | Holding Handle | 1 |
| 34 | 1 619 PB5 854 | Housing Base | 1 |
| 49 | 1 619 PB5 208 | Protective Grille | 1 |
| 51 | 1 619 PB5 235 | Battery Holder | 1 |
| 808 | 1 619 PB5 612 | Nameplate | 1 |
| 12 | 1 619 PB5 213 | Damping rubber | 2 |
| 24 | 1 619 PB5 220 | Corner Protection | 2 |
| 25 | 1 619 PB5 221 | Corner Protection | 2 |
| 26 | 1 619 PB5 222 | Corner Protection | 2 |
| 27 | 1 619 PB5 223 | Corner Protection | 2 |
| 28 | 1 619 PB5 224 | Corner Protection | 2 |
| 29 | 1 619 PB5 225 | Corner Protection | 2 |
| 30 | 1 619 PB5 226 | Corner Protection | 2 |
| 31 | 1 619 PB5 227 | Corner Protection | 2 |
| 35 | 1 619 PB5 231 | Damping rubber | 2 |
| 36 | 1 619 PB5 232 | Damping rubber | 2 |
| 45 | 1 619 PB5 204 | Aluminum Tubing | 2 |
| 46 | 1 619 PB5 207 | Aluminum Tubing | 2 |
| 47 | 1 619 PB5 205 | Aluminum Tubing | 2 |
| 48 | 1 619 PB5 206 | Aluminum Tubing | 2 |

Illustration - Type - E

3 601 DA4 000
Issue | 20-12-03
Stand | **Fig./Abb. 1**

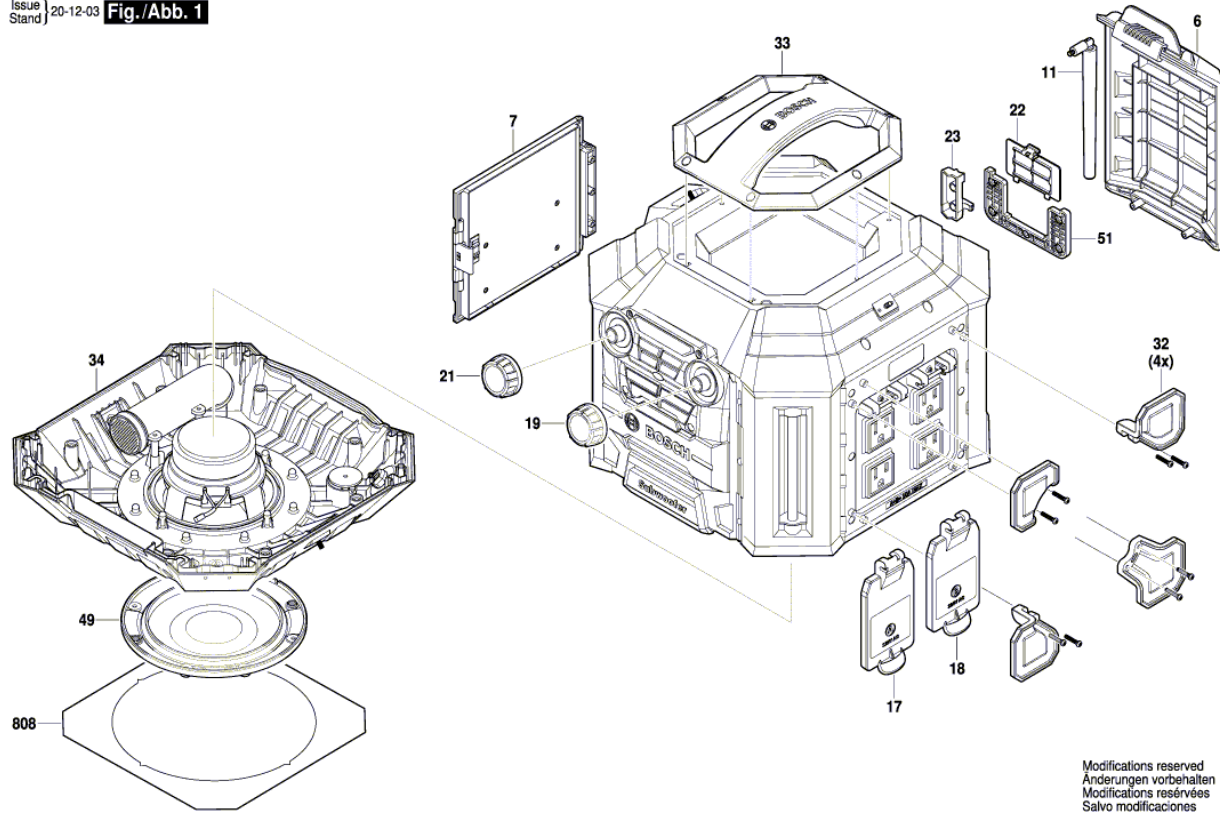
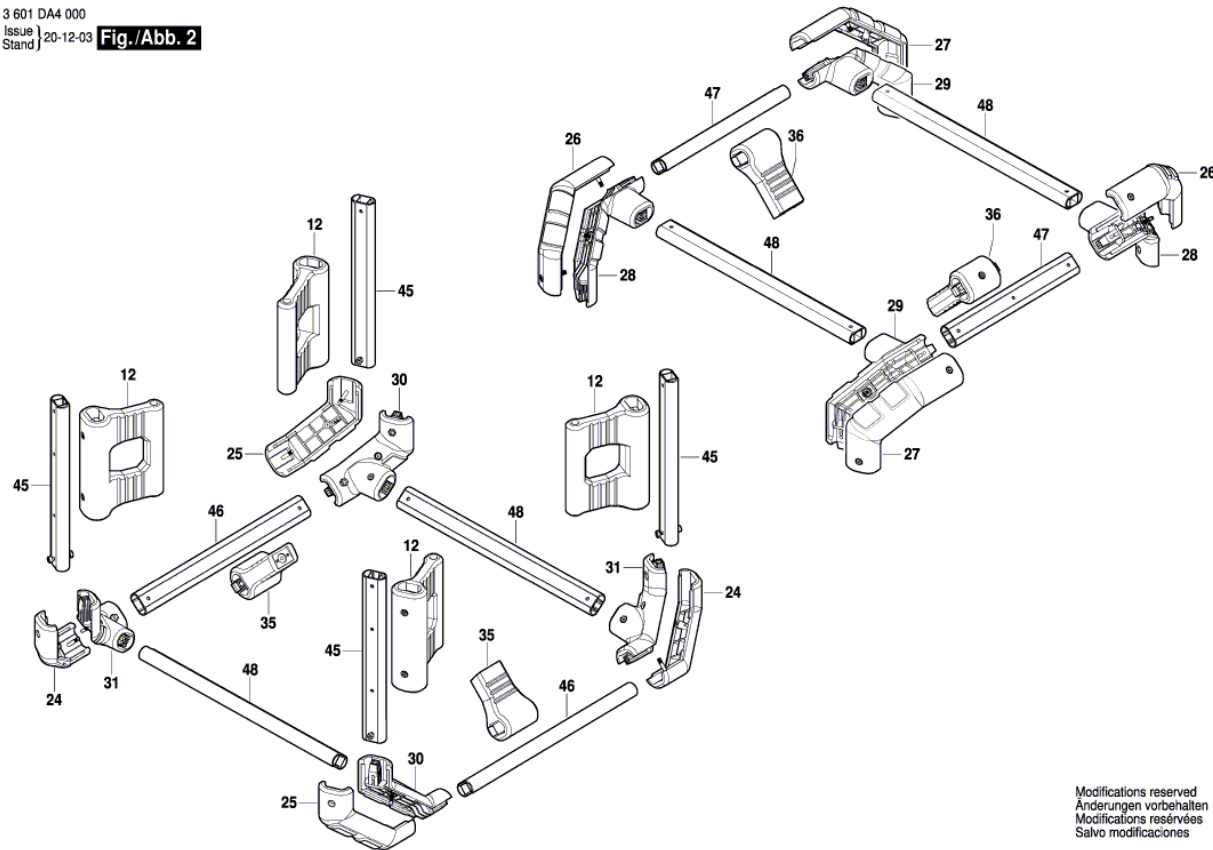


Illustration - Type - E

3 601 DA4 000
Issue | 20-12-03
Stand | **Fig./Abb. 2**



Modifications reserved
Änderungen vorbehalten
Modifications réservées
Salvo modificaciones