



BOSCH

Power Radio Box

GPB 18V-2 C | 3 601 DA3 010

Table of Content

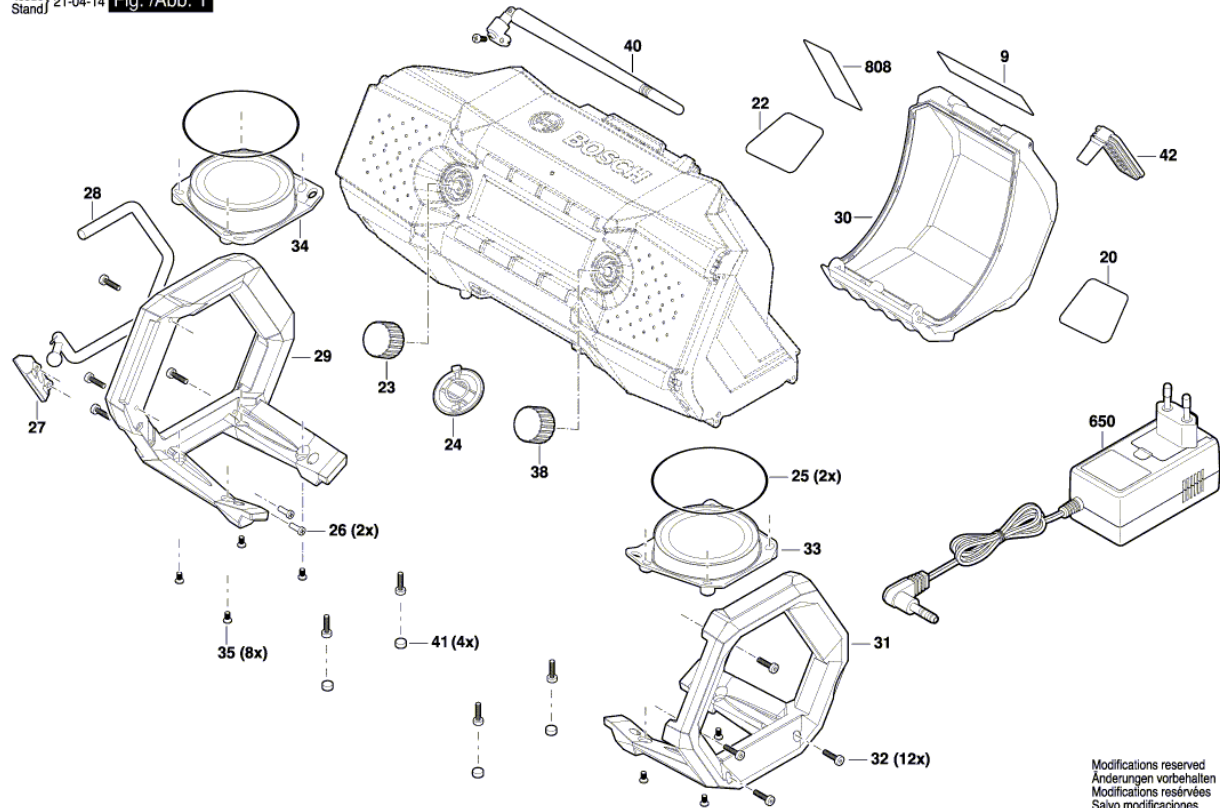
Spare parts list.....	2
Illustration - Type.....	3

Spare parts list

Item	Part Number	Description	Illustration
9	1 619 PB4 861	Manufacturer's nameplate	1
20	1 619 PB4 862	Warning Label	1
22	1 619 PB4 863	Warning Label	1
23	1 619 PB4 864	Knob	1
24	1 619 PB4 865	Cell Cover	1
25	1 619 PB4 866	Sealing Ring	1
26	1 619 PB4 867	Screw	1
27	1 619 PB4 868	Holding Plate	1
28	1 619 PB4 869	Hook	1
29	1 619 PB4 870	Handle	1
30	1 619 PB4 871	Battery Cover	1
31	1 619 PB4 872	Handle	1
32	1 619 PB4 873	Screw	1
33	1 619 PB4 874	Radiator	1
34	1 619 PB4 875	Radiator	1
35	1 619 PB4 876	Screw	1
38	1 619 PB4 920	Knob	1
40	1 619 PB5 181	Antenna	1
41	1 619 PB5 594	Rubber Pad	1
42	1 619 PB5 595	Cover	1
650	1 619 PB4 882	Power Supply	1
808	1 619 PB5 192	Nameplate	1

Illustration - Type - E

3 601 DA3 010
Issue | 21-04-14
Stand | Fig. /Abb. 1



Modifications reserved
Änderungen vorbehalten
Modificaciones reservadas
Salvo modificaciones