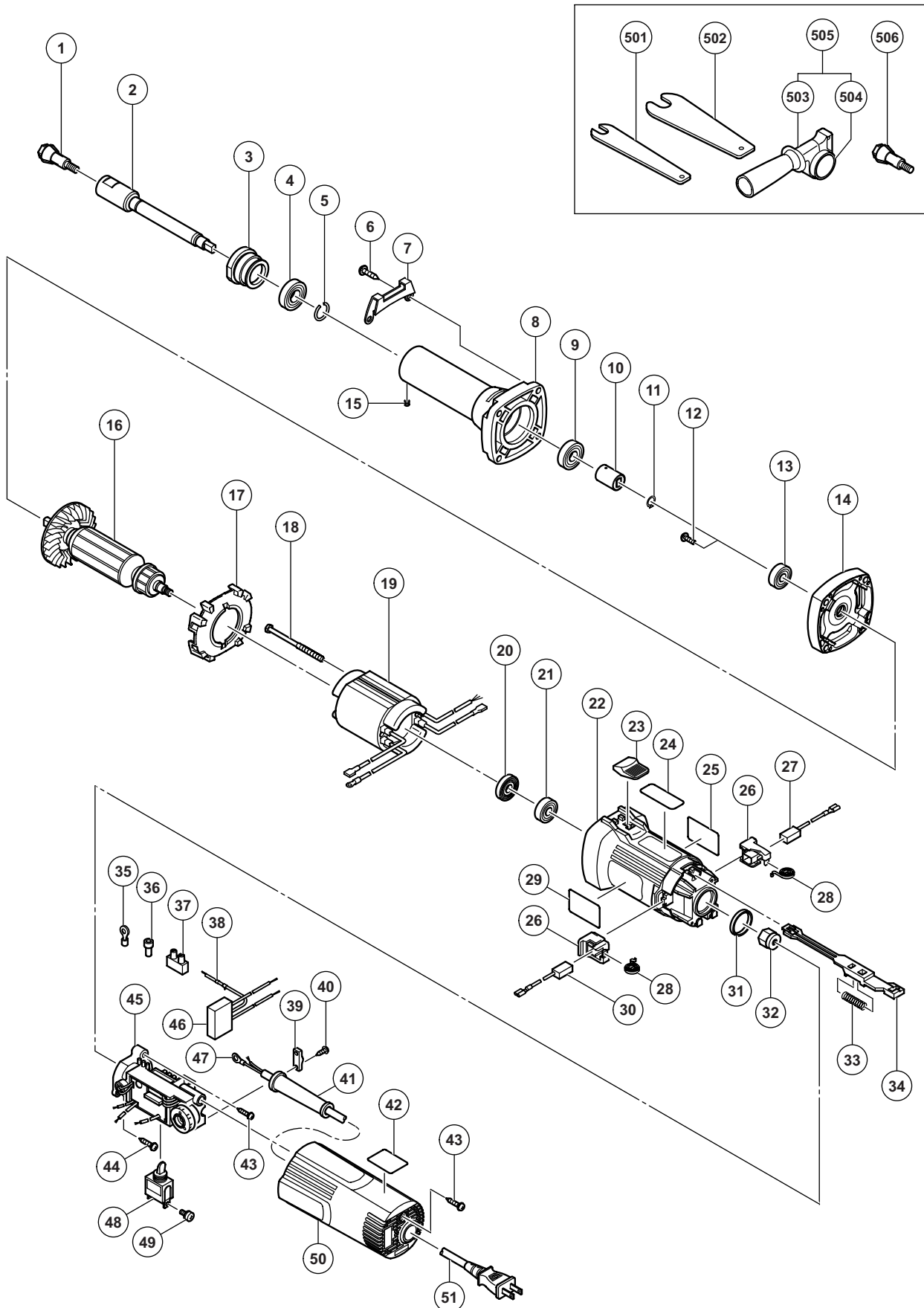


ELECTRIC TOOL PARTS LIST

■ ELECTRONIC HAND GRINDER Model GP 3V

2011-9-9
(E1)



PARTS

GP 3V

ITEM NO.	CODE NO.	DESCRIPTION	NO. USED	REMARKS
* 1	333-936	COLLET CHUCK 6MM	1	
* 1	331-422	COLLET CHUCK 1/4"	1	FOR AUS, USA, CAN, PAN (120V)
2	332-453	SPINDLE	1	
3	332-452	BEARING LID (B)	1	
4	600-1VV	BALL BEARING 6001VVCMP2L	1	
5	932-617	RING	1	
6	334-279	TAPPING SCREW (W/SP. WASHER) D5 X 35 (BLACK)	4	
7	317-807	GUARD PLATE	1	
8	334-280	NOSE BRACKET	1	
9	600-0VV	BALL BEARING 6000VVCMP2L	1	
10	334-281	COUPLING	1	
11	940-079	RETAINING RING FOR D8 SHAFT	1	
12	323-556	SLOTTED HD. SCREW (SEAL LOCK) M4 X 8	2	
13	609-VVM	BALL BEARING 609VVC2PS2L	1	
14	333-643	INNER COVER	1	
15	981-478	HEX. SOCKET SET SCREW M4 X 4	1	
* 16	360-911C	ARMATURE 110V	1	
* 16	360-911U	ARMATURE ASS'Y 120V	1	INCLUD. 13, 20, 21
* 16	360-911G	ARMATURE 127V	1	
* 16	360-911E	ARMATURE 220V-230V	1	
* 16	360-911F	ARMATURE 240V	1	
17	319-898	FAN GUIDE	1	
18	982-021	HEX. HD. TAPPING SCREW D4 X 70	2	
* 19	340-827C	STATOR 110V	1	
* 19	340-827D	STATOR 120V-127V	1	
* 19	340-827E	STATOR 220V	1	
* 19	340-827F	STATOR 230V-240V	1	
20	315-877	DUST SEAL	1	
21	608-VVM	BALL BEARING 608VVC2PS2L	1	
22	317-802	HOUSING	1	
23	314-428	SLIDE KNOB	1	
* 24		CAUTION PLATE	1	FOR USA, CAN
25		NAME PLATE	1	
26	317-810	BRUSH HOLDER	2	
27	999-076	CARBON BRUSH (AUTO STOP TYPE) (1 PAIR)	1	
28	308-536	SPRING	2	
29		HITACHI LABEL	1	
30	999-088	CARBON BRUSH (1 PAIR)	1	
31	995-662	RUBBER RING	1	
32	318-721	MAGNET	1	
33	314-429	SPRING	1	
34	319-370	SLIDE BAR	1	
35	930-804	TERMINAL M4.0 (10 PCS.)	1	
36	959-140	CONNECTOR 50091 (10 PCS.)	1	
37	938-307	PILLAR TERMINAL	1	
38	314-854	EARTH TERMINAL	1	
39	937-631	CORD CLIP	1	
40	984-750	TAPPING SCREW (W/FLANGE) D4 X 16	2	
* 41	953-327	CORD ARMOR D8.8	1	
* 41	938-051	CORD ARMOR D10.1	1	

STANDARD ACCESSORIES

GP 3V

ITEM NO.	CODE NO.	DESCRIPTION	NO. USED	REMARKS
501	936-553	WRENCH 12MM	1	
502	936-638	WRENCH 17MM	1	
503	324-548	SIDE HANDLE	1	
504	330-061	FLANGED SLEEVE	1	
505	330-060	SIDE HANDLE SLEEVE ASS'Y	1	INCLUD. 503, 504
* 506	331-477	COLLET CHUCK 5/16"	1	FOR NOR, SWE, DEN, FIN

OPTIONAL ACCESSORIES

ITEM NO.	CODE NO.	DESCRIPTION	NO. USED	REMARKS
* 601	939-101	MOUNTED WHEELS KA-2 D6 SHAFT (10 PCS.)	1	EXCEPT FOR USA, CAN
* 602	939-102	MOUNTED WHEELS KA-3 D6 SHAFT (10 PCS.)	1	EXCEPT FOR USA, CAN
* 603	939-103	MOUNTED WHEELS KA-4 D6 SHAFT (10 PCS.)	1	EXCEPT FOR USA, CAN
* 604	939-104	MOUNTED WHEELS KA-5 D6 SHAFT (10 PCS.)	1	EXCEPT FOR USA, CAN
* 605	939-106	MOUNTED WHEELS KA-7 D6 SHAFT (10 PCS.)	1	EXCEPT FOR USA, CAN
* 606	939-107	MOUNTED WHEELS KA-8 D6 SHAFT (10 PCS.)	1	EXCEPT FOR USA, CAN
* 607	939-108	MOUNTED WHEELS KA-9 D6 SHAFT (10 PCS.)	1	EXCEPT FOR USA, CAN
* 608	949-023	MOUNTED WHEELS KA-11 D6 SHAFT (10 PCS.)	1	EXCEPT FOR USA, CAN
* 609	949-021	MOUNTED WHEELS KA-12 D6 SHAFT (10 PCS.)	1	EXCEPT FOR USA, CAN
* 610	949-022	MOUNTED WHEELS KA-13 D6 SHAFT (10 PCS.)	1	EXCEPT FOR USA, CAN
* 611	939-110	MOUNTED WHEELS KA-20 D3 SHAFT (20 PCS.)	1	EXCEPT FOR USA, CAN
* 612	939-111	MOUNTED WHEELS KA-21 D3 SHAFT (20 PCS.)	1	EXCEPT FOR USA, CAN
* 613	939-112	MOUNTED WHEELS KA-22 D3 SHAFT (20 PCS.)	1	EXCEPT FOR USA, CAN
* 614	939-113	MOUNTED WHEELS KA-23 D3 SHAFT (20 PCS.)	1	EXCEPT FOR USA, CAN
* 615	939-114	MOUNTED WHEELS KA-24 D3 SHAFT (20 PCS.)	1	EXCEPT FOR USA, CAN
* 616	939-115	MOUNTED WHEELS KC-20 D3 SHAFT (20 PCS.)	1	EXCEPT FOR USA, CAN
* 617	939-116	MOUNTED WHEELS KC-21 D3 SHAFT (20 PCS.)	1	EXCEPT FOR USA, CAN
* 618	939-117	MOUNTED WHEELS KC-22 D3 SHAFT (20 PCS.)	1	EXCEPT FOR USA, CAN
* 619	939-118	MOUNTED WHEELS KC-23 D3 SHAFT (20 PCS.)	1	EXCEPT FOR USA, CAN
* 620	939-119	MOUNTED WHEELS KC-24 D3 SHAFT (20 PCS.)	1	EXCEPT FOR USA, CAN
621	939-120	DRESSER C36PV	1	
622	331-477	COLLET CHUCK 5/16"	1	
623	932-624	COLLET CHUCK 3MM	1	
624	985-136	COLLET CHUCK 1/8"	1	
* 625	332-812	COLLET CHUCK 6MM	1	EXCEPT FOR USA, CAN