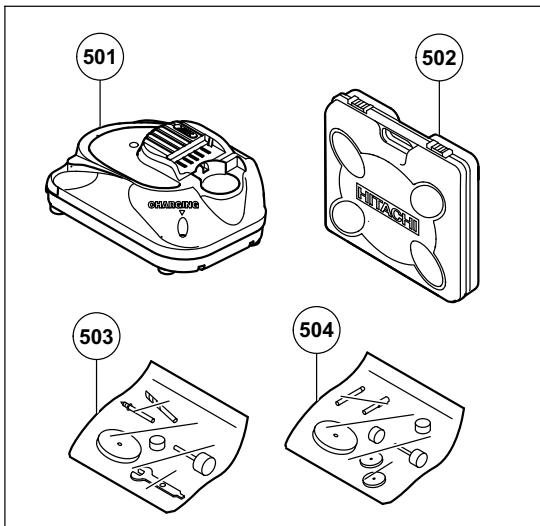
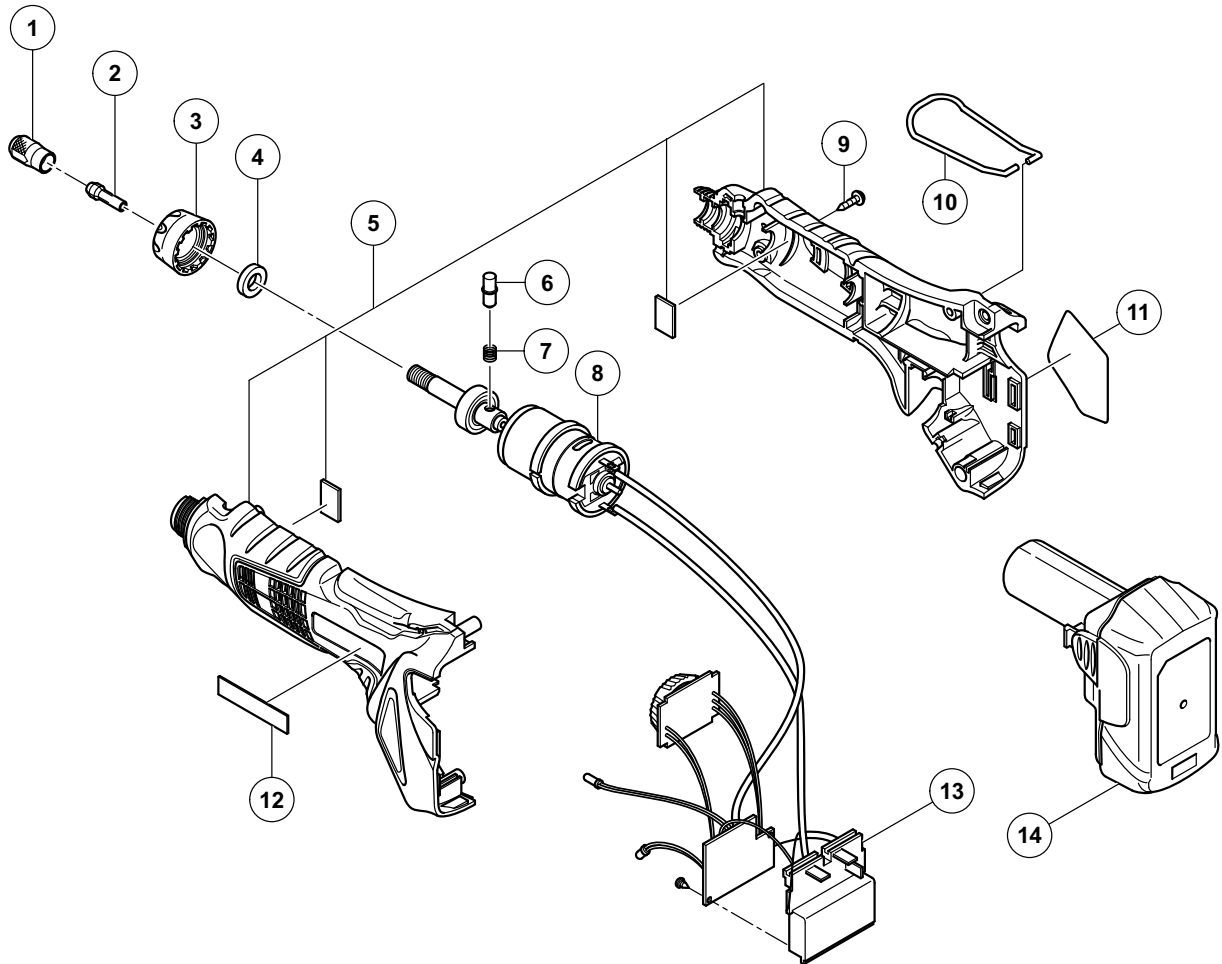


ELECTRIC TOOL PARTS LIST

■ CORDLESS MINI GRINDER Model GP 10DL

2010·1·19
(E1)



PARTS

GP 10DL

ITEM NO.	CODE NO.	DESCRIPTION	NO. USED	REMARKS
1	331-978	COLLET NUT	1	
2	331-969	COLLET D3	1	
3	331-976	CAP	1	
4	331-970	FELT	1	
5	332-519	HOUSING (A). (B) SET	1	
6	331-971	LOCK PIN	1	
7	319-267	SPRING	1	
8	331-973	MOTOR DC 10.8V	1	
9	313-687	TAPPING SCREW (W/FLANGE) D3 X 16 (BLACK)	5	
10	331-972	HOOK	1	
11		NAME PLATE	1	
12	330-719	HITACHI LABEL	1	
13	331-977	CONTROLLER	1	
* 14	331-067	BATTERY BCL 1015 (EUROPE, AUS, NZL)	2	
* 14	331-065	BATTERY BCL 1015 (USA, CAN)	1	

STANDARD ACCESSORIES

ITEM NO.	CODE NO.	DESCRIPTION	NO. USED	REMARKS
501		CHARGER (MODEL UC 10SFL)	1	
502	332-491	CASE	1	
503	332-492	ACCESSORIES SET (A)	1	
504	332-493	ACCESSORIES SET (B)	1	