



BOSCH

Multipurpose tool

GOP 250 CE | 3 601 B30 080

Table of Content

Spare parts list.....	2
Illustration - Type.....	3

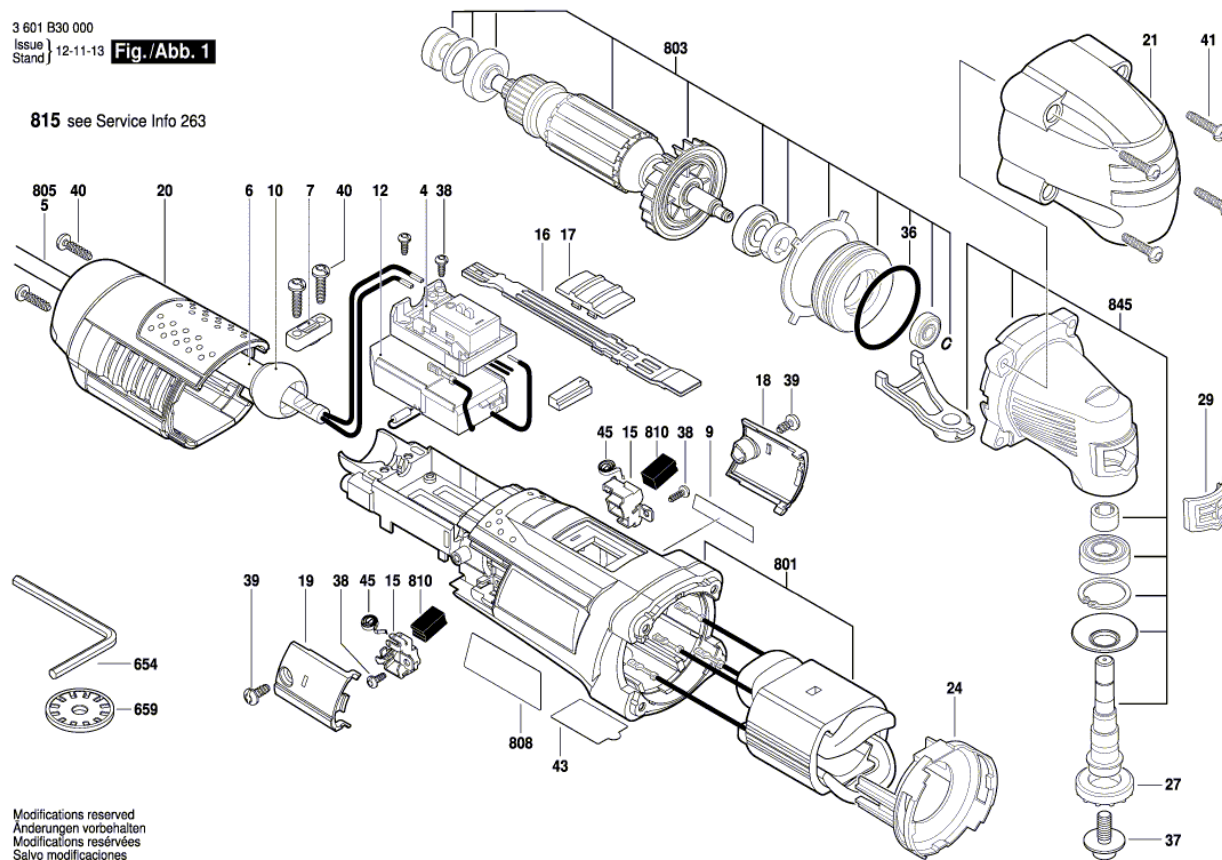
Spare parts list

Item	Part Number	Description
4	2 609 125 028	Electronics Module
5	2 609 120 103	Power supply cord H05VV-F CN 2,65m 2 x 0,75mm
6	2 600 703 012	Grommet Ø6,5-Ø6,9x95 MM
7	2 601 035 001	Cable Clip
9	2 609 132 899	Manufacturer's nameplate GOP 250 CE
10	2 609 100 929	Ball Joint
12	1 607 233 437	Electronics Module
15	1 619 P09 249	Brush Holder
16	2 609 100 914	Switch Slide
17	2 609 100 915	Switch Button
18	2 609 100 911	Brush-Cover
19	2 609 100 912	Brush-Cover
20	2 609 100 909	Housing Cover
21	2 609 100 910	Cap
24	2 609 100 928	Air-Deflector Ring
27	2 609 110 769	Toolholder
29	2 609 170 083	Sealing cap
36	2 600 210 026	O-Ring 35,0x2,0 MM
37	2 609 000 295	Hex Socket Head Cap Screw
38	2 603 490 016	Torx Oval-Head Screw 3x8
39	2 603 490 020	Torx Oval-Head Screw 4x8
40	2 603 490 022	Screw 4x16
41	2 603 490 024	Torx Oval-Head Screw 4x25
43	2 609 132 973	Label
45	1 619 P02 809	Spiral Spring
654	2 609 110 831	Key
659	2 609 110 788	Adapter
801	2 609 199 344	Housing Assembly
803	2 609 199 334	Armature set
808	2 609 133 191	Nameplate
810	1 607 000 489	Carbon-Brush Set 10 x 1 619 P02 870
810	1 619 P02 870	Carbon-Brush Set
845	2 609 199 335	Gear Box

Illustration - Type - E

3 601 B30 000
 Issue | 12-11-13
 Stand | **Fig./Abb. 1**

815 see Service Info 263



Modifications reserved
 Änderungen vorbehalten
 Modifications réservées
 Salvo modificaciones