



BOSCH

Multipurpose tool

GOP 10,8 V-LI | 3 601 H58 080

Table of Content

Spare parts list.....	2
Illustration - Type.....	3

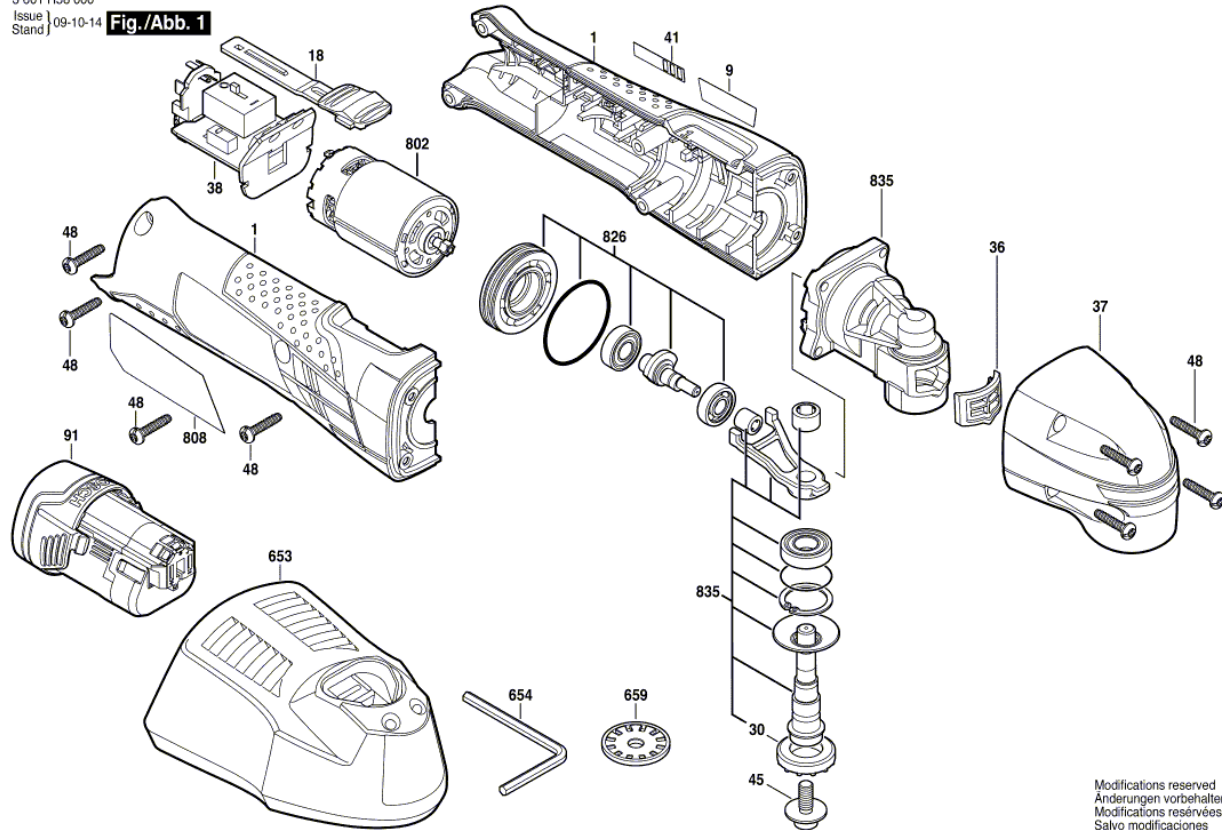
Spare parts list

Item	Part Number	Description	
1	2 609 100 649	Housing	BLUE
9	2 609 131 681	Manufacturer's nameplate	GOP 10,9V-Li
18	2 609 100 650	Switch Slide	
30	2 609 110 769	Toolholder	
36	2 609 170 083	Sealing cap	
37	2 609 100 651	Cap	
38	1 607 233 423	Electronics Module	
41	2 609 131 677	Label	
45	2 609 000 295	Hex Socket Head Cap Screw	
48	2 603 490 023	Torx Oval-Head Screw	4x20
91	1 607 A35 06A	Battery Pack	GBA 12V 3,0 Ah Li
91	1 607 A35 0C5	Battery Pack	GBA 12V 2.0Ah Li SCM
653	2 607 225 303	Fast Charger	CN 220/10,8V, 30 MIN.
654	2 609 110 831	Key	
659	2 609 110 788	Adapter	
802	2 609 199 180	DC motor	
808	2 609 131 819	Nameplate	
826	2 609 199 185	Bearing Flange	
835	2 609 199 186	Gear Unit	

Illustration - Type - E

3 601 H58 000
Issue |
Stand |

09-10-14 **Fig./Abb. 1**



Modifications reserved
Änderungen vorbehalten
Modifications réservées
Salvo modificaciones