



BOSCH

Optical level

GOL 24 | 3 601 K68 610

Table of Content

Spare parts list.....	2
Illustration - Type.....	4

Spare parts list

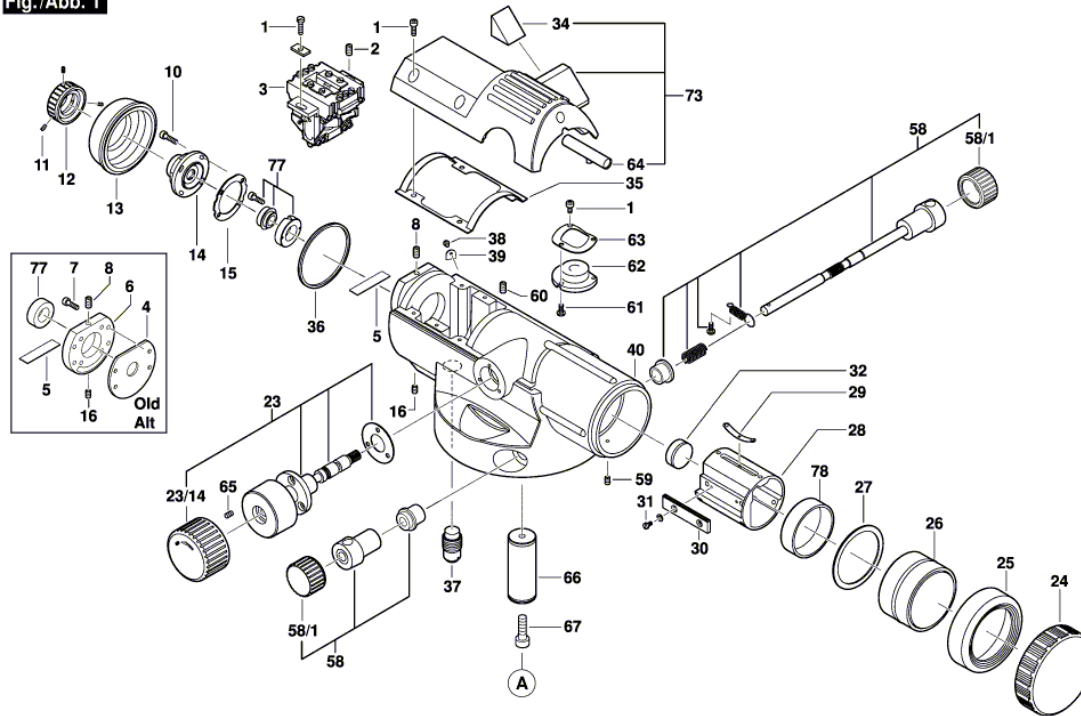
Item	Part Number	Description	Illustration
1	2 610 A02 324	Screw	1
2	2 610 A05 748	Pivot Pin	1
3	2 610 A03 364	Compensator	1
4	2 610 A05 661	mat seal	1
5	2 610 A05 662	Contact strap	1
6	2 610 A05 723	Mounting Bracket	1
7	2 610 A05 712	Screw	1
8	1 619 PA5 048	Screw	1
10	2 610 A05 726	Screw	1
11	2 610 A05 724	Set screw	1
12	2 610 A11 682	Protective Cover	1
13	2 610 A11 683	Cover	1
14	2 610 A05 730	eyepiece	1
15	2 610 A05 731	mat seal	1
16	1 619 PA5 049	Piston	1
23	1 619 PA5 229	Focusing device 16mm	1
23/14	2 610 A03 404	Cap	1
24	2 610 A03 394	Cap	1
25	2 610 A11 684	Cover Ring	1
26	2 610 A03 366	Lens	1
27	2 610 A03 392	Spacer	1
28	2 610 A03 377	Pusher	1
29	2 610 A05 649	Contact strap	1
30	2 610 A05 652	Toothed rack	1
31	2 610 A03 380	Screw	1
32	2 610 A05 653	Lens	1
34	2 610 A03 379	Reader	1
35	2 610 A03 367	O-Ring	1
36	2 610 A11 904	mat seal	1
37	2 610 A05 751	Transport Lock	1
38	2 610 A03 368	Screw	1
39	2 610 A03 339	Indicator	1
40	1 619 PB2 963	Telescope GOL 24	1
58	2 610 A05 702	Screw	1
58/1	2 610 A05 677	Cap	1

Spare parts list			
Item	Part Number	Description	Illustration
59	2 610 A03 382	Screw	1
60	2 610 A03 370	Set screw	1
61	2 610 A05 758	Screw	1
62	2 610 A05 718	Bubble Level	1
63	2 610 A05 697	Contact strap	1
64	2 610 A03 383	viewfinder tube	1
65	1 619 PA5 043	Hex Socket Head Cap Screw	1
66	1 619 PB5 538	sleeve	1
67	1 619 PA5 044	Hex head tapping screw	1
73	1 619 PA5 233	Mounting Kit	1
77	2 610 A03 372	Cross hair insert	1
78	1 619 PB5 537	Spacer	1
18	2 610 A05 628	Adjusting Screw	2
19	2 610 A05 629	Tension Cone	2
20	2 610 A05 630	Washer	2
21	2 610 A05 631	Nut	2
43	2 610 A05 665	Washer	2
44	2 610 A05 666	Retaining ring	2
45	2 610 A05 667	Gear	2
46	2 610 A05 669	Contact strap	2
47	2 610 A05 671	Spring retaining ring	2
48	2 610 A05 744	Retaining ring	2
49	2 610 A05 673	Graduated Disc	2
50	2 610 A05 675	Washer	2
51	2 610 A05 694	Screw	2
52	2 610 A05 691	Base Plate	2
53	2 610 A05 693	Ball seat	2
55	2 610 A11 687	Cover Plate	2
56	1 619 PA5 054	Base Plate	2
57	2 610 A05 734	Screw	2
74	1 619 PA5 234	Screw	2
75	1 619 PA5 235	Washer	2
76	1 619 PA5 236	Screw	2

Illustration - Type - E

3 601 K68 510
 Stand } 20-03-05
 Issue } 20-03-12

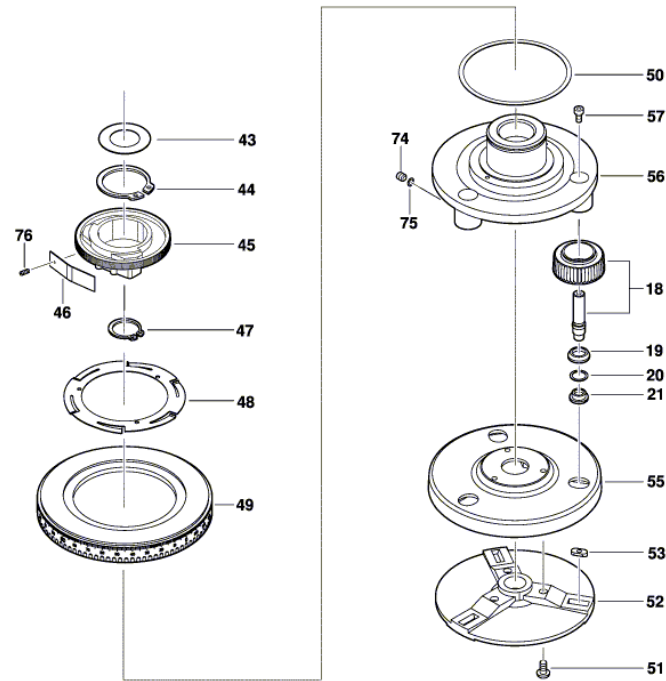
Fig./Abb. 1



Änderungen vorbehalten
 Modifications reserved
 Modifications réservées
 Salvo modificaciones

Illustration - Type - E

3 601 K68 510
Stand } 13-01
Issue } 20-03-12 **Fig./Abb. 2**



Änderungen vorbehalten
Modifications reserved
Modifications réservées
Salvo modificaciones