

Router - 0 601 611 734 - GOF 1700 E

www.powertools-aftersaleservice.com



BOSCH

Item	Part Number	Description	Illustration	Price	Quantity	Price Group
	1 3 605 108 589	Motor Housing BLUE	1	-,-	1	41
	2 3 604 220 536	Field 110-115V	1	-,-	1	42
	3/70 3 606 610 517	Fan	1	-,-	1	27
	4 3 605 702 592	Fan Housing	1	-,-	1	44
	5 3 605 500 574	Housing Cover	1	-,-	1	25
	6 3 605 500 596	Sealing cap	1	-,-	2	14
	7 3 605 702 595	Base Plate	1	-,-	1	45
	8 3 600 190 515	Intermediate Plate	1	-,-	1	22
	9 3 605 133 519	Handle BLUE	1	-,-	1	27
	10 3 605 133 520	Handle BLUE	1	-,-	1	27
	11 3 604 441 507	Connector Cable	1	-,-	2	21
	12 3 600 190 516	Toothed lock washer	1	-,-	1	13
	13 3 607 200 510	On-Off Switch	1	-,-	1	34
	14 1 607 328 034	Suppression Filter	1	-,-	1	15
	15 3 601 032 500	Fastening Clamp	1	-,-	1	20
	16 2 910 611 011	Tapping Screw DIN 7981-ST3,5x13-C-H	1	-,-	2	10
	17 3 604 460 561	Power supply cord	1	-,-	1	33
	18 3 600 707 503	Grommet Ø 9,4 MM	1	-,-	1	13
	19 3 603 415 556	Pan head screw M4	1	-,-	3	13
	21 1 604 336 008	Brush Holder	1	-,-	2	18
	22 3 603 500 500	Threaded Spindle	1	-,-	1	22
	23 2 910 611 018	Tapping Screw DIN 7981-ST3,9x13-C-H	1	-,-	2	11
	24 2 910 611 019	Tapping Screw DIN 7981-ST3,9x16-C-H	1	-,-	2	13
	25 2 910 141 197	Hex Socket Head Cap Screw DIN 912-M6x16-8.8	1	-,-	1	10
	26 1 614 652 001	Spiral Spring	1	-,-	2	15
	28 1 611 331 007	Tab Washer	1	-,-	2	11
	29 1 613 412 001	Tapping Screw B 4,8x68 MM	1	-,-	2	11
	30 1 900 905 276	Deep-Groove Ball Bearing 6200-2 RS/C 3	1	-,-	1	32
	31 3 600 119 507	Spring retaining ring	1	-,-	1	13
	32 3 600 900 526	Deep-Groove Ball Bearing	1	-,-	1	33
	33 3 600 034 503	Fastening Plate	1	-,-	1	20
	34 3 603 415 559	Rec ct-sunk tapping screw	1	-,-	7	13
	35 3 603 301 522	Hex Nut	1	-,-	1	22

Item	Part Number	Description	Illustration	Price	Quantity	Price Group
36	3 600 499 520	Collet Ø 1/2"	1	-,-	1	33
37	3 601 961 500	Retaining Bracket	1	-,-	1	20
38	3 604 613 502	Compression Spring	1	-,-	2	13
39	2 910 611 034	Screw DIN 7982-ST4,8x19	1	-,-	9	13
40	3 603 415 540	Screw 4x13 MM	1	-,-	4	13
41	3 600 232 503	Depth-Gauge	1	-,-	1	24
42	2 916 650 014	Spring retaining ring DIN 471 25x1,2	1	-,-	1	11
43	3 601 254 501	Leaf Spring	1	-,-	1	22
44	3 602 033 501	Locking Lever	1	-,-	1	14
45	3 603 053 503	Axle	1	-,-	1	32
46	3 604 613 503	Compression Spring	1	-,-	1	13
47	2 910 951 118	Oval-Head Screw DIN 7985-M4x8-8.8-H	1	-,-	4	11
48	2 915 065 007	Hex Nut DIN 985-M10-10	1	-,-	1	13
49	2 603 345 015	Adjusting Nut	1	-,-	2	13
50	3 603 120 501	Guide Piece	1	-,-	2	14
51	3 602 000 509	Adjusting lever	1	-,-	1	21
52	3 604 651 501	Clamping Spring	1	-,-	1	13
53	3 602 202 500	Adjusting Eccentric	1	-,-	1	27
54	2 916 011 010	Plain Washer DIN 125-A4,3-ST	1	-,-	1	10
55	2 915 061 002	Hex Nut DIN 985-M4-8	1	-,-	1	10
56	3 603 415 560	Thread-forming tap. Screw B 4,8x45 MM	1	-,-	8	11
57	3 604 619 502	Compression Spring	1	-,-	2	13
58	2 915 055 108	Hex Nut DIN 439-BM10-04	1	-,-	1	-
59	3 916 060 500	Spring Washer	1	-,-	1	10
61	3 601 119 655	Manufacturer's nameplate	1	-,-	1	-
62	3 603 313 507	Union Nut SW27	1	-,-	1	27
63	3 605 510 526	Protective Shield	1	-,-	1	22
65	2 910 601 433	Rec ct-sunk tapping screw DIN 7982-ST4,8x18-F-H	1	-,-	1	-
67	3 604 542 501	Washer	1	-,-	1	33
68	3 607 230 510	Speed governor 115V	1	-,-	1	-
69	3 603 430 503	Pan head screw LEFTHAND THREADS	1	-,-	1	11
69	2 910 091 120	Pan head screw DIN 85-M4x10-4.8	1	-,-	1	10
72	3 608 040 506	Spring retaining ring	1	-,-	1	17
73	3 601 007 502	Insulating Tube	1	-,-	1	11
74	3 600 590 504	Air-Deflector Ring	1	-,-	1	17
75	1 601 030 022	Tab Washer	1	-,-	2	11
80	2 914 411 045	Thread-forming tap. Screw DIN 7500-CM 4x8-ST	1	-,-	4	10
650	3 607 000 620	Parallel-Guide	2	-,-	1	-
650/10	3 602 386 501	Guide Plate	2	-,-	2	19
650/10	3 605 700 511	Intermediate Plate	2	-,-	1	31
650/30	2 916 011 012	Plain Washer DIN 125-A5,3-ST	2	-,-	4	10
650/40	2 910 011 154	Socket head cap screw DIN 84-AM5x12-5.8	2	-,-	4	10
650/50	2 915 011 006	Hex Nut DIN 934-M 5-m-8	2	-,-	4	11
650/60	3 603 001 518	Guide Rod 10 MM	2	-,-	2	22
650/70	2 603 480 003	Wing Screw M 6x16 MM	2	-,-	4	12
650/70	1 603 480 018	Wing Screw M6	2	-,-	5	12
650/80	3 601 119 612	Manufacturer's nameplate	2	-,-	1	14
654	3 605 703 528	Tool Guide Ø 30 MM	2	-,-	1	-
657	2 607 950 504	Single-Head Eng. Wrench	2	-,-	1	16
658	1 907 950 514	Single-Head Eng. Wrench DIN 894 SW27	2	-,-	1	22
700	3 605 703 527	Tool Guide Ø 27 MM	2	-,-	1	-
700	3 605 703 529	Tool Guide Ø 40 MM	2	-,-	1	-

Item	Part Number	Description	Illustration	Price	Quantity	Price Group
701/5	3 608 570 500	Collet Ø 6 MM	1	-,-	1	-
701/5	3 600 499 503	Collet 1/4"	1	-,-	1	37
701/5	3 608 570 502	Collet Ø 8 MM	1	-,-	1	-
701/5	3 600 499 502	Collet 3/8"	1	-,-	1	-
701/5	3 608 570 504	Collet Ø 10 MM	1	-,-	1	-
800	1 607 014 103	Carbon-Brush Set	1	-,-	1	26
809	2 603 410 001	Socket head cap screw M3x6,5-4.8	1	-,-	4	11
810	3 601 119 595	Nameplate	1	-,-	1	15
814	3 603 415 553	Socket head cap screw	2	-,-	2	13
816	3 603 029 500	Depth-Gauge	2	-,-	1	24
823	3 607 000 547	Regulator	1	-,-	1	49
824	3 608 939 626	Vacuum Adapter	2	-,-	1	-
825	3 608 939 611	Vacuum Adapter	N/A	-,-	1	39
826	3 607 929 500	Brush-Cover	N/A	-,-	1	22
827	2 910 761 164	Countersunk-Head Screw DIN 963-M5x25-4.8	N/A	-,-	2	13
828	2 915 011 006	Hex Nut DIN 934-M 5-m-8	N/A	-,-	2	11
829	2 916 011 012	Plain Washer DIN 125-A5,3-ST	N/A	-,-	2	10
830	3 604 012 503	Armature With Fan 110-115V	1	-,-	1	-
888	1 601 106 032	Nameplate 26x52 MM	1	-,-	1	13

Product information Router - 0 601 611 734 - GOF 1700 E

Product No	0 601 611 734
Description	251.577; Router
DIN-Text	
ID_Text_Ext	0
Trading_Description	GOF 1700 E
Voltage_1	115 V
ID_Country_Product	USA

Illustration - Type E

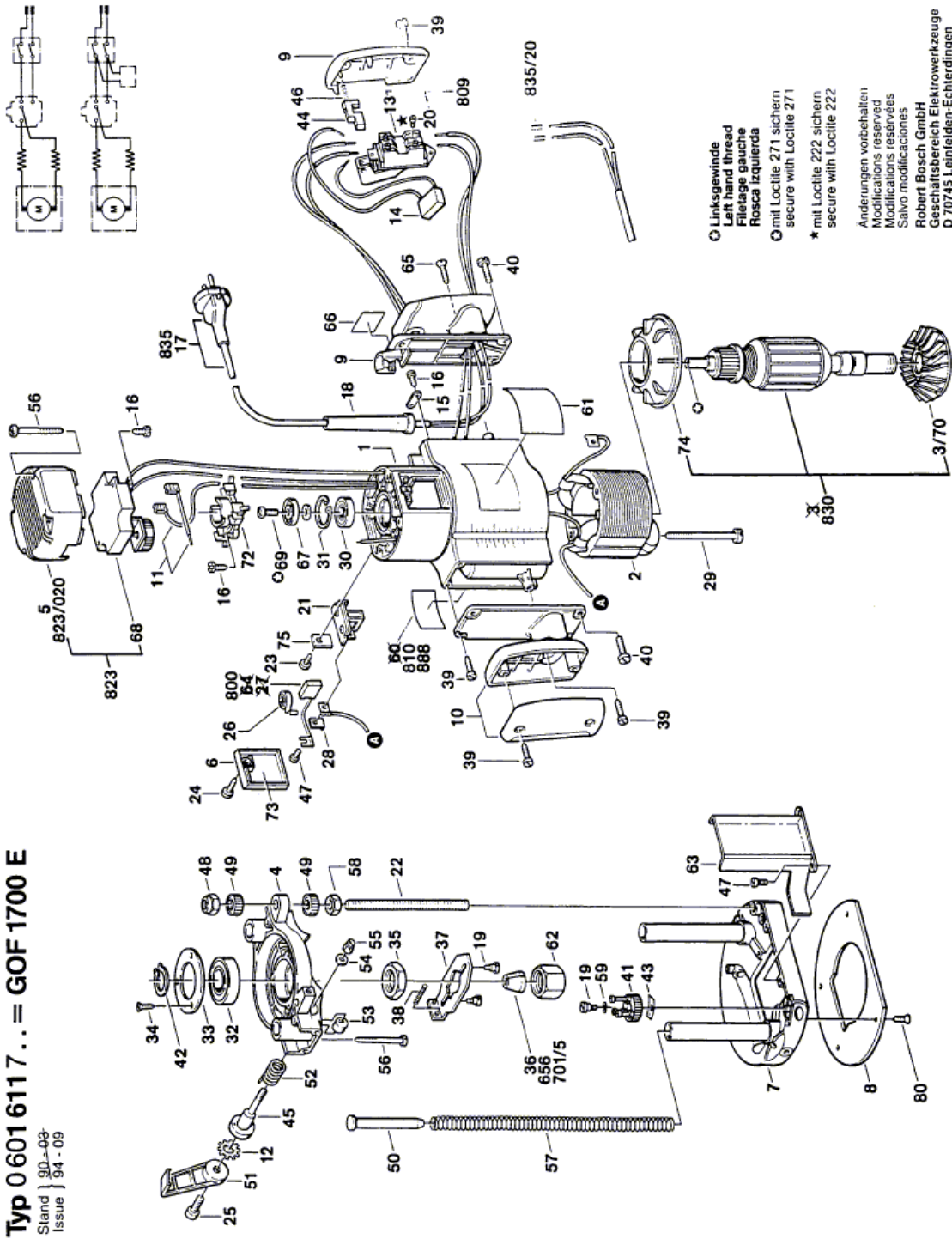
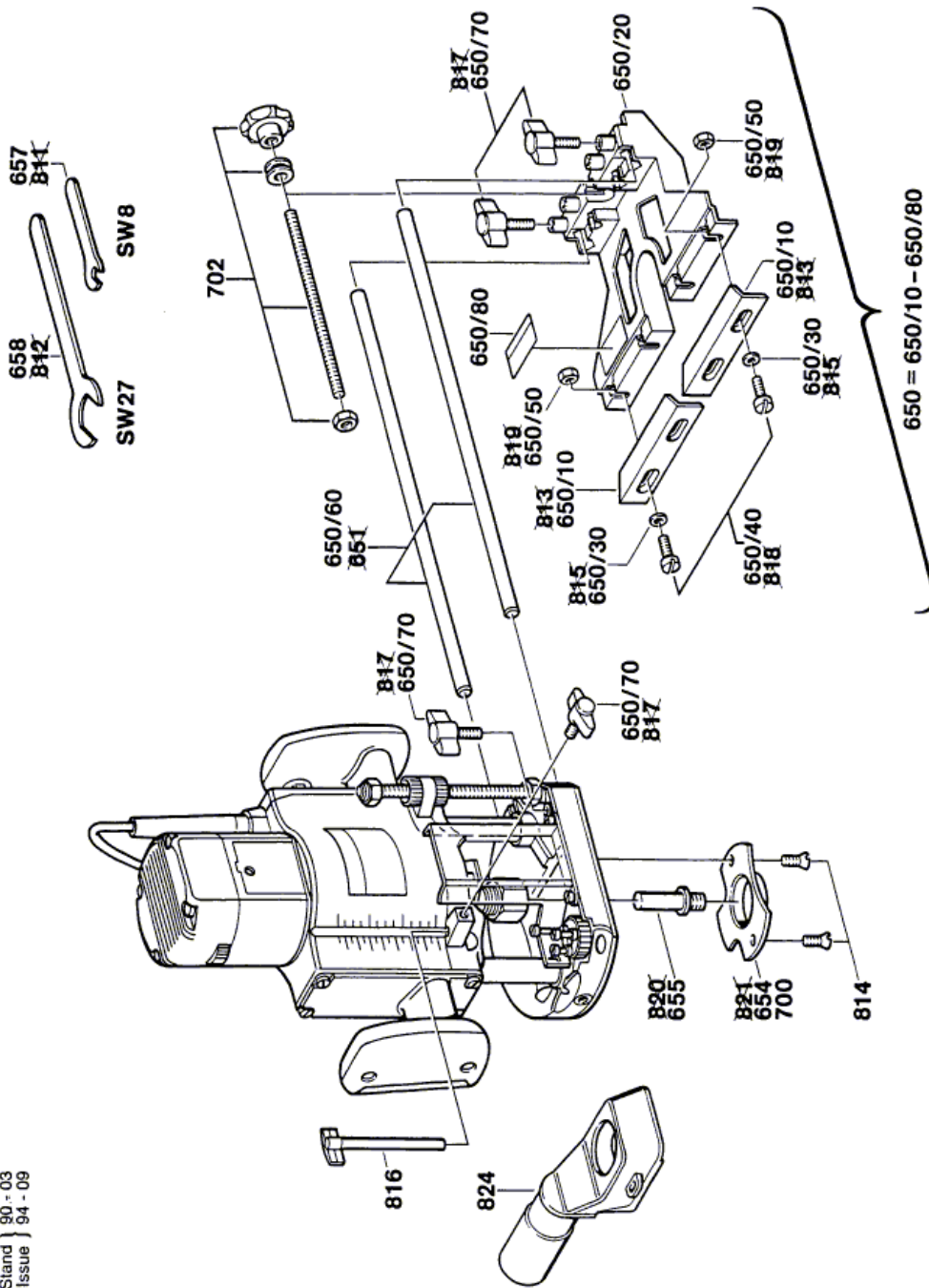


Illustration - Type E

Typ 06016117... = GOF 1700 E

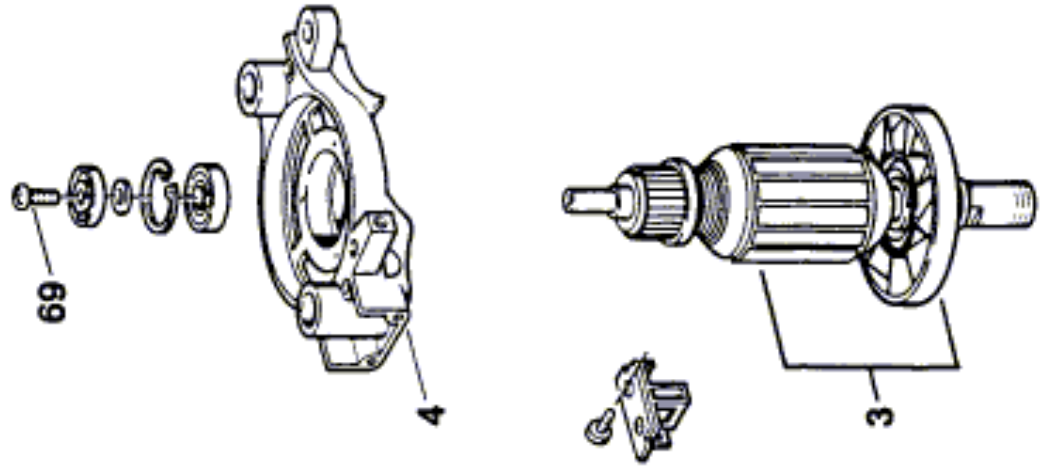
Stand | 90 - 03
Issue | 94 - 09



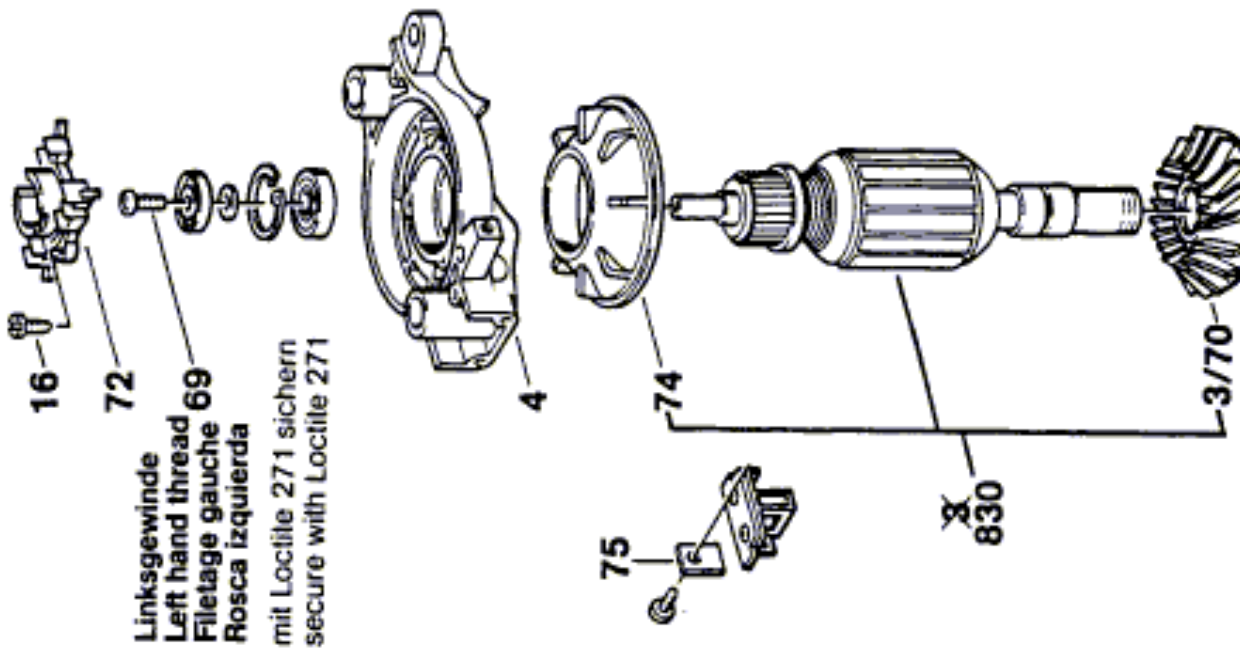
Änderungen vorbehalten
Modifications reserved
Modifications réservées
Salvo modificaciones
Robert Bosch GmbH
Geschäftsbereich Elektrowerkzeuge
D 70745 Leinfelden-Echterdingen

Illustration - Type E

**Alte Ausführung
Old Execution
Ancien Exécution
Vieja Ejecución**



**Neue Ausführung
New Execution
Nouvelle Exécution
Nueva Ejecución**



Information subject to change without further notice.