



BOSCH

Wall Chaser

GNF 20 CA | 0 601 612 543

Table of Content

Spare parts list.....	2
Illustration - Type.....	5

Spare parts list

Item	Part Number	Description
49	1 613 490 017	Thread-forming tap. Screw M4x30 DIN7500-1 T-20
201	1 605 108 2CC	Motor Housing
202	1 604 220 220	Field 220-230V
204	1 607 200 086	On-Off Switch
204/10	2 910 110 048	Pan head screw DIN 85-AM3x6-CUZN
205	3 604 460 181	Power supply cord CN 2,65m 2 x 1,00mm H05 RN-F
206	2 600 703 013	Grommet Ø7,6-Ø8,2x95 MM
207	1 601 302 017	Fastening Clamp
209	6 082 942 7UU	Manufacturer's nameplate
212	1 607 328 029	Suppression Filter
213	2 600 905 032	Ball Bearing 7x19x6
214	1 600 905 011	groove ball bearing 8x22x7
215	1 606 610 121	Fan
216	1 600 A00 3G4	Brush Holder
217	3 601 110 396	Reference Plate
218	1 604 611 026	Compression Spring
222	1 602 319 002	Adjusting Slide
223	1 602 026 057	Switch Handle BLACK
225	1 600 508 010	Housing Cover BLUE
226	1 600 502 020	Rubber Bushing
227	1 600 206 025	Rubber Ring
229	1 601 328 005	Air-Deflector Ring
231	2 916 660 013	Retaining clip DIN 472-32x1,2 MM
233	3 600 210 124	O-Ring 46,0x1,1 MM RED
235	1 600 136 010	Shim 0,2 MM THICK
235	1 600 136 011	Shim 0,3 MM THICK
235	1 600 136 012	Shim 0,1 MM THICK
236	1 600 150 011	Spring Washer
237	1 600 290 016	Rotary shaft lip seal
238	1 606 333 235	Crown Gear Z=35
239	1 604 652 013	Spiral Spring
240	2 916 660 009	Spring retaining ring DIN 472-25x1,2MM
241	1 600 910 018	Needle bearing Ø8xØ12x8 MM
242	1 600 905 006	groove ball bearing 12x32x10

Spare parts list

Item	Part Number	Description
243	1 606 333 234	Bevel Gear Z=9
245	1 603 300 016	Hex Nut M7, SW10
247	2 910 211 018	Tapping Screw DIN 7971-ST3,9x13-F
248	1 613 435 034	Lens Head Screw 3x10 ST
249	1 603 435 026	Thread-forming tap. Screw
250	2 914 201 508	Torx Oval-Head Screw
251	1 607 233 008	Speed governor 220-230V
253	1 604 448 005	Connecting Cable L=95 MM WHITE
254	1 604 448 006	Connecting Cable L=40 MM WHITE
304	1 601 008 003	Insulating Plate
810	1 607 014 116	Carbon-Brush Set
813	1 607 000 253	Push-Button BLACK
821	1 605 806 480	Gear Housing
828	1 607 000 936	Bearing Flange
830	1 604 010 248	Armature With Fan 220-230V
833	3 607 031 208	Parts Set
888	1 601 11A 3H3	Nameplate
3	3 605 500 081	Protective Cover
6	3 603 105 005	Bearing Shaft
7	3 600 309 003	Roller
9	3 601 902 012	Locking Lever
10	3 601 923 001	Rejection Slide
11	3 600 390 023	Clamping-Flange
12	3 603 345 005	Round Nut M14
13	3 609 202 041	Plain Washer Ø 42X22,2X4 MM
14	3 602 305 011	Push-Button
15	3 604 651 004	Torsion Spring
16	3 604 651 006	Coiled Spring
17	3 604 651 005	Coiled Spring
20	3 601 023 003	Safety Catch
21	3 604 680 002	Shaped Spring
22	3 600 300 029	Spacer Tube
25	3 600 300 028	Spacer Sleeve
26	3 601 990 002	Handle
27	3 605 500 078	Protective Cap

Spare parts list

Item	Part Number	Description	
28	3 603 490 015	Pan head screw	M 10x12 MM
29	3 601 119 425	Manufacturer's nameplate	
31	2 603 490 023	Torx Oval-Head Screw	4x20
32	2 603 490 027	Torx Oval-Head Screw	4x40
33	2 603 490 017	Torx Oval-Head Screw	3x10
35	2 916 089 079	Locking Washer	
37	2 917 511 104	Straight Pin	DIN 7-4MM6x28-C35K-RIKO
41	3 601 119 076	Reference Plate	
651	3 607 959 005	Splitting Tool	
700	3 607 000 060	Parallel-Guide	
700/20	3 603 101 002	Stop Pin	
700/30	3 600 210 024	O-Ring	5,94x3,53 MM
700/40	2 603 480 003	Wing Screw	M 6x16 MM
739	3 608 640 001	Wall Chaser	Ø 115x22,2x2,2 MM
752	1 607 950 043	Pin-Type Face-Wrench	
802	3 607 031 206	Parts Set	
804	3 607 031 656	Parts Set	
818	3 607 031 207	Parts Set	
823	3 607 031 547	Rotary Knob	
832	2 910 211 093	Tapping Screw	DIN 7971-BZ3,9x38

Illustration - Type - E

0 601 612 503
 Issue
 Stand | 12-05-14 **Fig./Abb. 1**

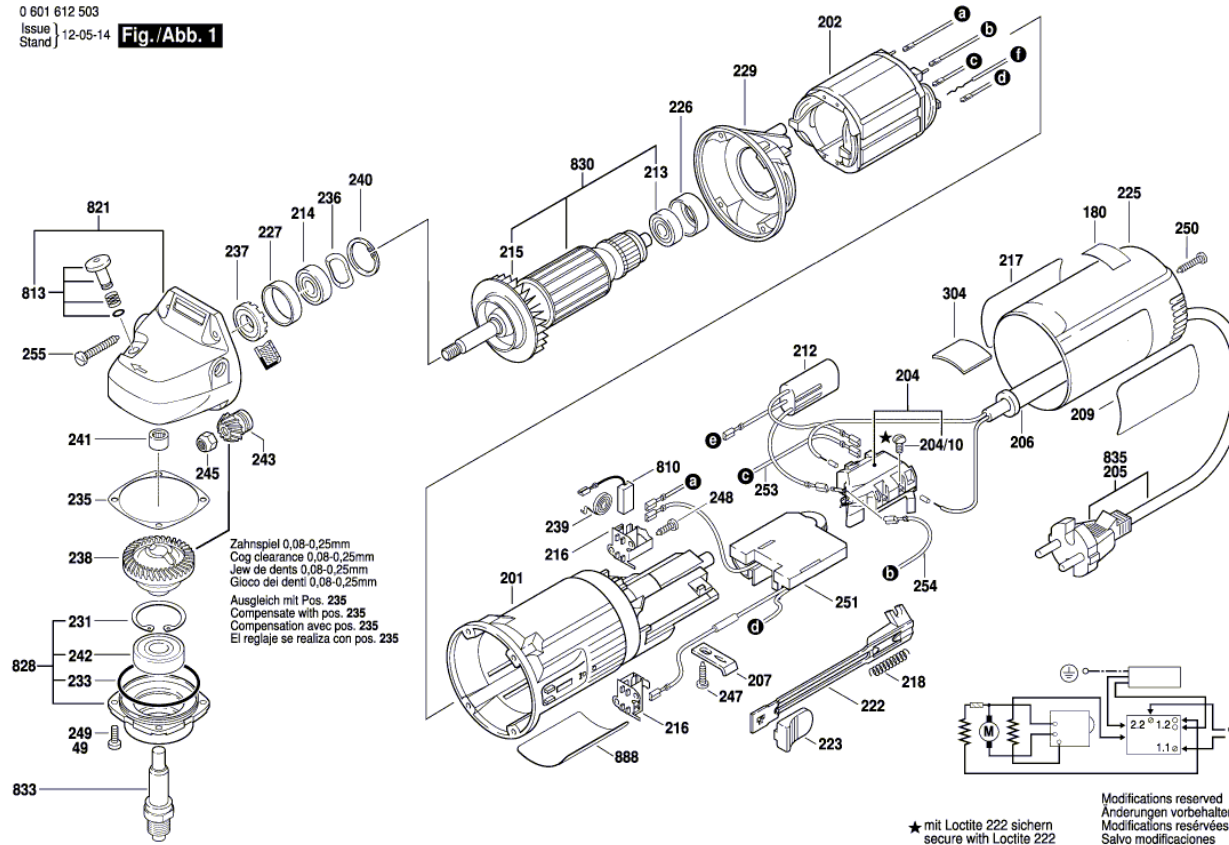


Illustration - Type - E

