



**BOSCH**

# Nibbler

GNA 2,0 | 0 601 530 143

---

## Table of Content

Spare parts list.....	2
Illustration - Type.....	4

## Spare parts list

Item	Part Number	Description
1	2 605 500 042	Gear Cover
2	2 605 806 312	Gear Housing
3	2 606 122 001	Eccentric Shaft
4	1 900 900 274	groove ball bearing 20x42x12
5	2 606 334 040	Ring Gear Z=66
6	3 606 316 057	Cylindrical Gear Z=30
7	2 603 105 021	Bearing bolt
8	2 602 001 001	Connecting Rod
9	2 600 224 009	Retaining ring
10	2 600 913 035	Needle-Roller Cage
11	2 603 100 003	Bearing bolt
12	2 603 104 001	Power piston
13	2 600 422 005	Bushing
14	3 603 340 017	Union Nut
15	2 603 455 006	Hollow Bolt
18	3 608 639 026	Nibbling Punch
19	2 603 414 003	Hex Socket Head Cap Screw
20	2 600 914 011	Needle bearing
21	2 916 650 011	Spring retaining ring DIN 471 20x1,2
22	2 600 550 017	Disc Spring
23	1 903 201 520	Needle Roller
24	1 600 100 611	Shim 1,2 MM THICK
25	2 916 080 908	Locking Washer 5 DIN 6799
33	3 605 700 042	Intermediate Flange
34	2 600 108 002	Felt Washer
35	2 600 500 002	Cupped Washer
36	2 600 905 021	groove ball bearing 9x24x7
37	2 916 660 008	Spring retaining ring DIN 472-24x1,2 MM
38	2 916 690 003	Spring Lock Washer DIN 128-A4-FST
39	2 910 021 138	Socket head cap screw DIN 84-BM4x40-8.8
40	2 910 021 134	Socket head cap screw DIN 84-BM4x30-8.8
41	2 914 201 508	Torx Oval-Head Screw
42	2 600 400 008	Receptacle
101	2 605 108 051	Motor Housing BLUE
102	2 604 010 608	Armature 220-230V

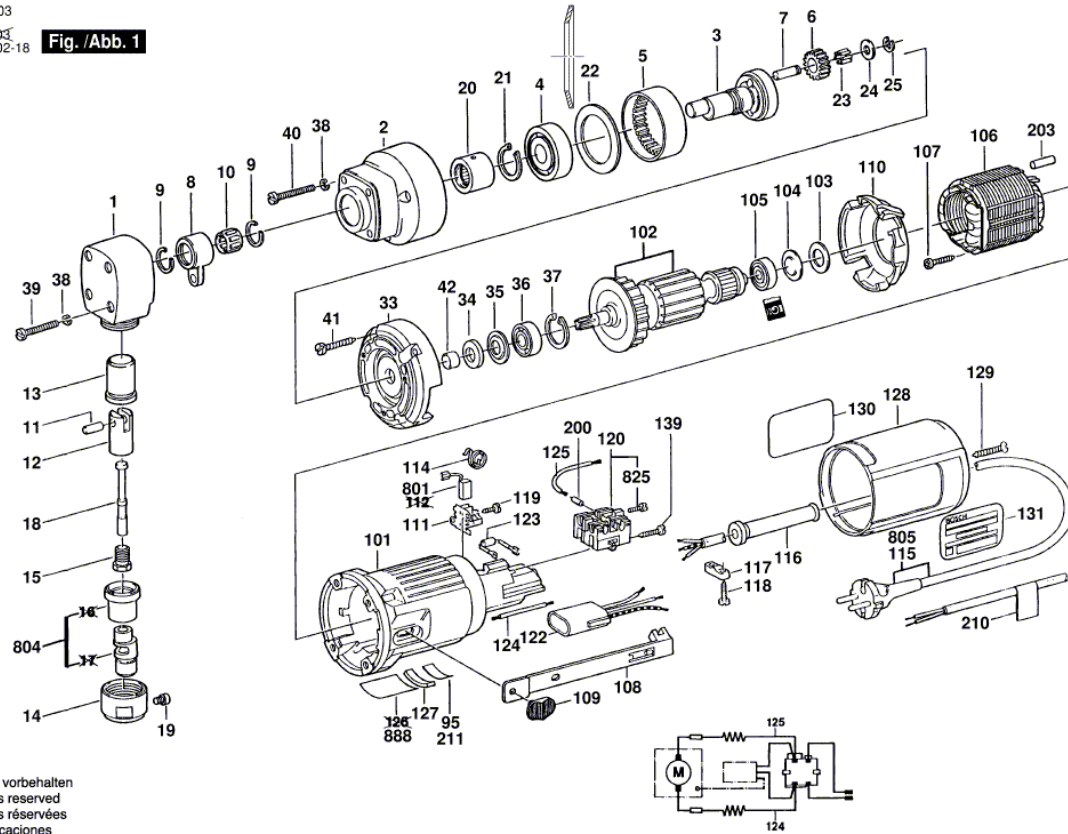
## Spare parts list

Item	Part Number	Description		
103	2 600 101 020	Shim	0,5 MM	
103	2 600 101 022	Shim	0,2 MM	
103	2 600 101 023	Shim	0,3 MM	
104	2 600 150 004	Shim		
105	1 900 905 018	Ball Bearing	7x22x7	
106	2 604 220 445	Field	220-230V	
107	2 603 435 015	Cross Recessed-Head Screw	DIN 7981-ST3,5x9,5-F	
108	2 602 319 005	Adjusting Slide	BLUE	
109	2 602 026 015	Switch Handle	BLACK	
110	2 601 328 045	Cover Disc		
111	1 600 A00 3G4	Brush Holder		
114	1 604 652 013	Spiral Spring		
115	1 604 460 71B	Power supply cord		
117	2 601 035 001	Cable Clip		
118	2 603 490 022	Screw	4x16	
119	1 613 435 034	Lens Head Screw	3x10 ST	
120	2 607 200 674	Switch		
124	2 604 448 039	Connecting Cable	L=68MM	WHITE
125	2 604 448 040	Connecting Cable	L=125MM	WHITE
129	2 910 601 321	Tapping Screw	DIN 7982-ST3,9x22C-H	
139	2 910 211 007	Tapping Screw	DIN 7971-BZ2,9x16	
804	2 608 639 021	Lower Die		
804	2 608 639 022	Nibbling Punch		
804	2 608 639 900	Lower Die		
804	2 608 639 902	Lower Die		
825	2 603 410 001	Socket head cap screw	M3x6,5-4.8	
888	1 601 11A 3H3	Nameplate		

Illustration - Type - E

0 601 530 103  
 Stand } 1993  
 Issue } 16-02-18

Fig. /Abb. 1



Änderungen vorbehalten  
 Modifications reserved  
 Modifications réservées  
 Salvo modificaciones