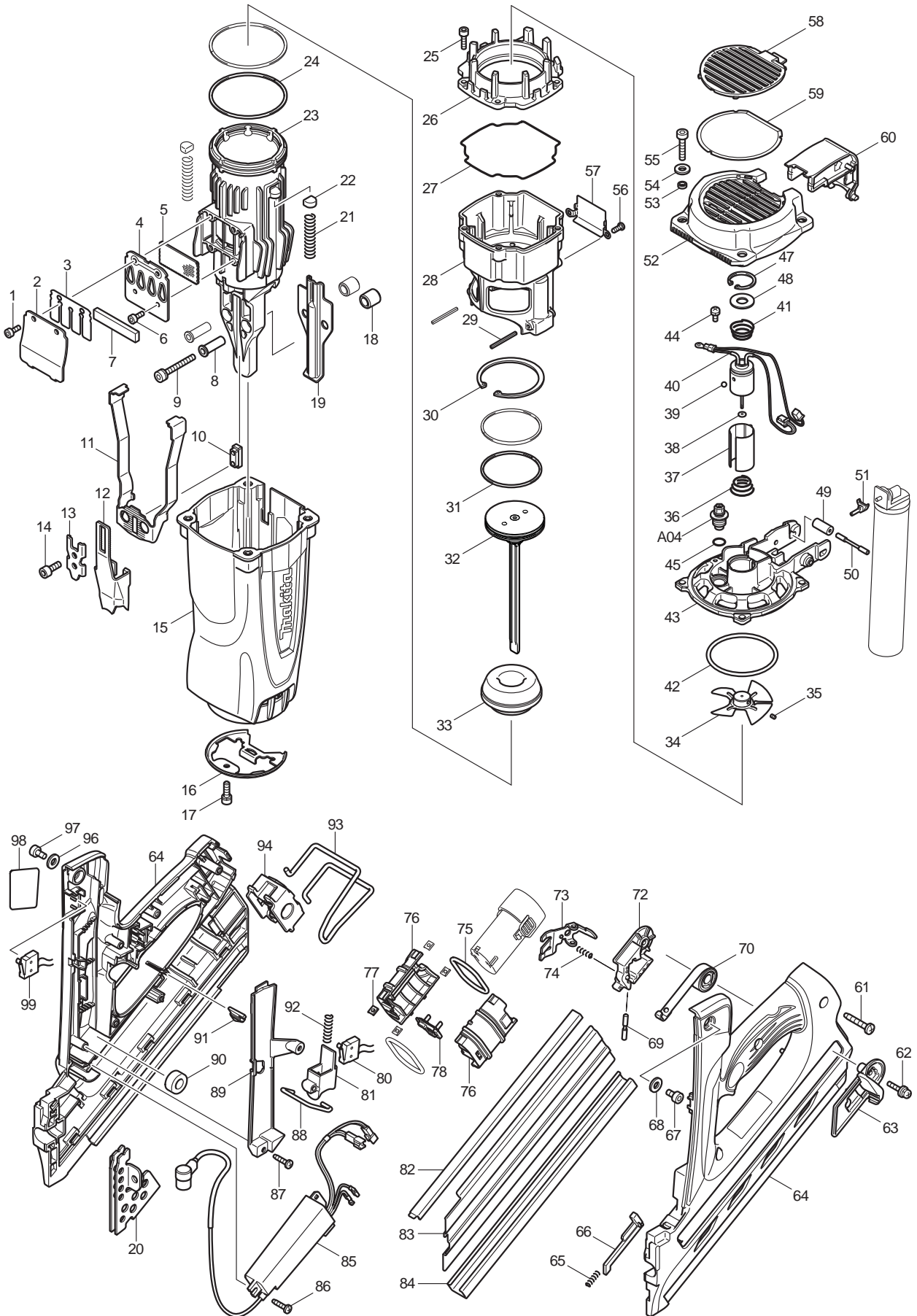




08 - 2010  
GN900S / GN900SE  
GAS FRAMING NAILER



Item No	Type	Ref	Part No	Description	Qty	Unit
1			922112-8	HEX. SOCKET HEAD BOLT M4X10	2	PC.
2			345984-8	EXHAUST COVER	1	PC.
3			345982-2	EXHAUST VALVE	1	PC.
4			345983-0	EXHAUST PLATE	1	PC.
5			352008-3	PUNCHING METAL	1	PC.
6			922112-8	HEX. SOCKET HEAD BOLT M4X10	2	PC.
7			352009-1	SILENCER	1	PC.
8			325711-9	SLEEVE 5	2	PC.
9	1		265562-7	* HEX SOCKET HEAD BOLT M5X35	2	PC.
	2		266620-2	* HEX SOCKET HEAD BOLT M5X35	2	PC.
10			313157-1	ARM CONNECTOR	1	PC.
11			345987-2	ARM	1	PC.
12			345990-3	CONTACT TOP	1	PC.
13			345991-1	ARM PLATE	1	PC.
14			922207-7	HEX. SOCKET HEAD BOLT M5X10	2	PC.
15			450729-2	HOUSING	1	PC.
16			346008-3	FRONT PLATE	1	PC.
17			266086-6	HEX. SOCKET HEAD BOLT M5X16	3	PC.
18			257784-3	SLEEVE 8	2	PC.
19			346124-1	DRIVER GUIDE PLATE	1	PC.
20	1		346006-7	* UNDER DRIVER GUIDE - N/L/A	1	PC.
	2		346357-8	* UNDER DRIVER GUIDE	1	PC.
21			234127-6	COMPRESSION SPRING 8	2	PC.
22			424138-1	STOP RUBBER	2	PC.
23			318496-4	CYLINDER	1	PC.
24			324973-6	CYLINDER RING	2	PC.
25			922127-5	HEX. SOCKET HEAD BOLT M4X16	4	PC.
26			318322-7	CHAMBER TOP	1	PC.
27			424139-9	CHAMBER SEAL RING	1	PC.
28			318320-1	CHAMBER	1	PC.
29			951078-5	SPRING PIN	2	PC.
30			962254-6	RETAINING RING (INT) R-58	1	PC.
31			324972-8	PISTON RING	2	PC.
32			158840-1	DRIVER COMPLETE	1	PC.
33			424137-3	FRONT CUSHION	1	PC.
34			241674-0	FAN 60	1	PC.
35			913904-6	SET SCREW (CUP POINT) M3X4	1	PC.
36			233969-5	C COMPRESSION SPRING 12-18	1	PC.
37	1		450737-3	MOTOR SLEEVE	1	PC.
	2		454002-2	MOTOR SLEEVE	1	PC.
38			261141-9	EPOXY WASHER 2	1	PC.
39			216019-1	STEEL BALL 3	1	PC.
40			629860-7	DC MOTOR	1	PC.
41			233969-5	C COMPRESSION SPRING 12-18	1	PC.
42	1		213677-4	O-RING 60	1	PC.
	2		213679-0	O-RING 60 (W/ COLD REGISTANT)	1	PC.
43			318321-9	CYLINDER HEAD	1	PC.
44			652014-1	PAN HEAD SCREW M4X8	1	PC.
45			213070-2	O RING 10	1	PC.
47			962103-7	RETAINING RING R-24	1	PC.
48			253024-7	FLAT WASHER 10	1	PC.
49			422044-4	RUBBER SLEEVE 9	1	PC.
50			324976-0	SHOULDER PIN 4	1	PC.
51	1		450731-5	STEM ADAPTER	1	PC.
	2		454003-0	STEM ADAPTER	1	PC.
52			450730-7	TOP CAP	1	PC.
53			257672-4	SLEEVE 5	4	PC.
54			941101-4	FLAT WASHER 5 (Outer diameter 12mm)	4	PC.

Item No	Type	Ref	Part No	Description	Qty	Unit
55			922242-5	HEX. SOCKET HEAD BOLT M5X25	4	PC.
56			265069-3	+PAN HEAD SCREW M4X10	2	PC.
57			345985-6	TRIGGER LOCK PLATE	1	PC.
58			450733-1	FILTER COVER	1	PC.
59			162270-0	FILTER	1	PC.
60	1		450732-3	ACTUATER	1	PC.
	2		454202-4	ACTUATER	1	PC.
61			266041-8	TAPPING SCREW 5X25	3	PC.
62			911138-5	PAN HEAD SCREW M4X20	1	PC.
63			450735-7	PUSHER LEVER	1	PC.
64			188626-9	HANDLE SET	1	SET
		INC.	808225-8	LED INDICATION LABEL	1	PC.
		INC.	810460-6	CAUTION LABEL	1	PC.
65			233054-4	COMPRESSION SPRING 4	1	PC.
66			310289-5	LOCK BAR	1	PC.
67			265907-9	HEX. SOCKET HEAD BOLT M5X10	1	PC.
68	1		941101-4	* FLAT WASHER 5 (Outer diameter 12mm)	1	PC.
	2		941102-2	* FLAT WASHER 5 (Outer diameter 10mm)	1	PC.
69			324977-8	SHOULDER PIN 4	1	PC.
70			158791-8	SPIRAL SPRING COMPLETE	1	PC.
72			450734-9	PUSHER HOLDER	1	PC.
73			345992-9	PUSHER	1	PC.
74			234084-8	COMPRESSION SPRING 3	1	PC.
75			424152-7	RUBBER RING 40	2	PC.
76			188598-8	BATTERY CASE SET	1	PC.
77			345749-8	SET PLATE	4	PC.
78			643817-4	TERMINAL	1	PC.
80			638642-6	SWITCH UNIT	1	PC.
81			450736-5	TRIGGER	1	PC.
82			345988-0	NAIL RAIL	1	PC.
83			345989-8	NAIL PLATE	1	PC.
84			345981-4	MAGAZINE SUPPORTER	1	PC.
85	1		631820-7	SPARK UNIT	1	PC.
	2		620158-5	SPARK UNIT	1	PC.
86			265995-6	TAPPING SCREW 4X18	2	PC.
87			265995-6	TAPPING SCREW 4X18	2	PC.
88			324974-4	CHAMBER LOCK BAR	1	PC.
89			450740-4	LEAD WIRE COVER	1	PC.
90			688131-1	LINE FILTER	1	PC.
91			450741-2	LENZ	1	PC.
92			234113-7	COMPRESSION SPRING 5	1	PC.
93			324953-2	HOOK	1	PC.
94			318338-2	HOOK HOLDER	1	PC.
96	1		941101-4	FLAT WASHER 5 (Outer diameter 12mm)	1	PC.
	2		941102-2	FLAT WASHER 5 (Outer diameter 10mm)	1	PC.
97			265907-9	HEX. SOCKET HEAD BOLT M5X10	1	PC.
98			866161-4	GN900 NAME PLATE	1	PC.
99			638642-6	SWITCH UNIT	1	PC.
100			346358-6	* FRONT SPACER (Added)	1	PC.
<b>ACCESSORIES</b>				<b>- See catalogue or visit <a href="http://www.makita.ca">www.makita.ca</a> for more optional accessories -</b>		
A01	1		192517-8	SAFETY GOGGLE	1	PC.
	2		195246-2	SAFETY GOGGLE	1	PC.
A02	1		783202-0	* HEX. WRENCH 4 (70mm) (SE until Serial No.14909)	1	PC.
	2		783230-5	* HEX. WRENCH 4 (110mm) (SE from Serial No.14910)	1	PC.
A03			824875-1	PLASTIC CARRYING CASE	1	PC.
		INC.	163455-1	LATCH	2	PC.
A04			162269-5	SPARK PLUG	1	PC.
A05	1		DC07SA	DC07SA BATTERY CHARGER	1	PC.
	2		DC10WB	DC10WB BATTERY CHARGER	1	PC.
A06			194356-2	7.2V LI-ION BATTERY BL7010	1	PC.
A07			194852-0	CLEANING SET	1	SET
A08			242080-2	FUEL CELL - BULK	1	PC.