

Model GMH01Z Parts List

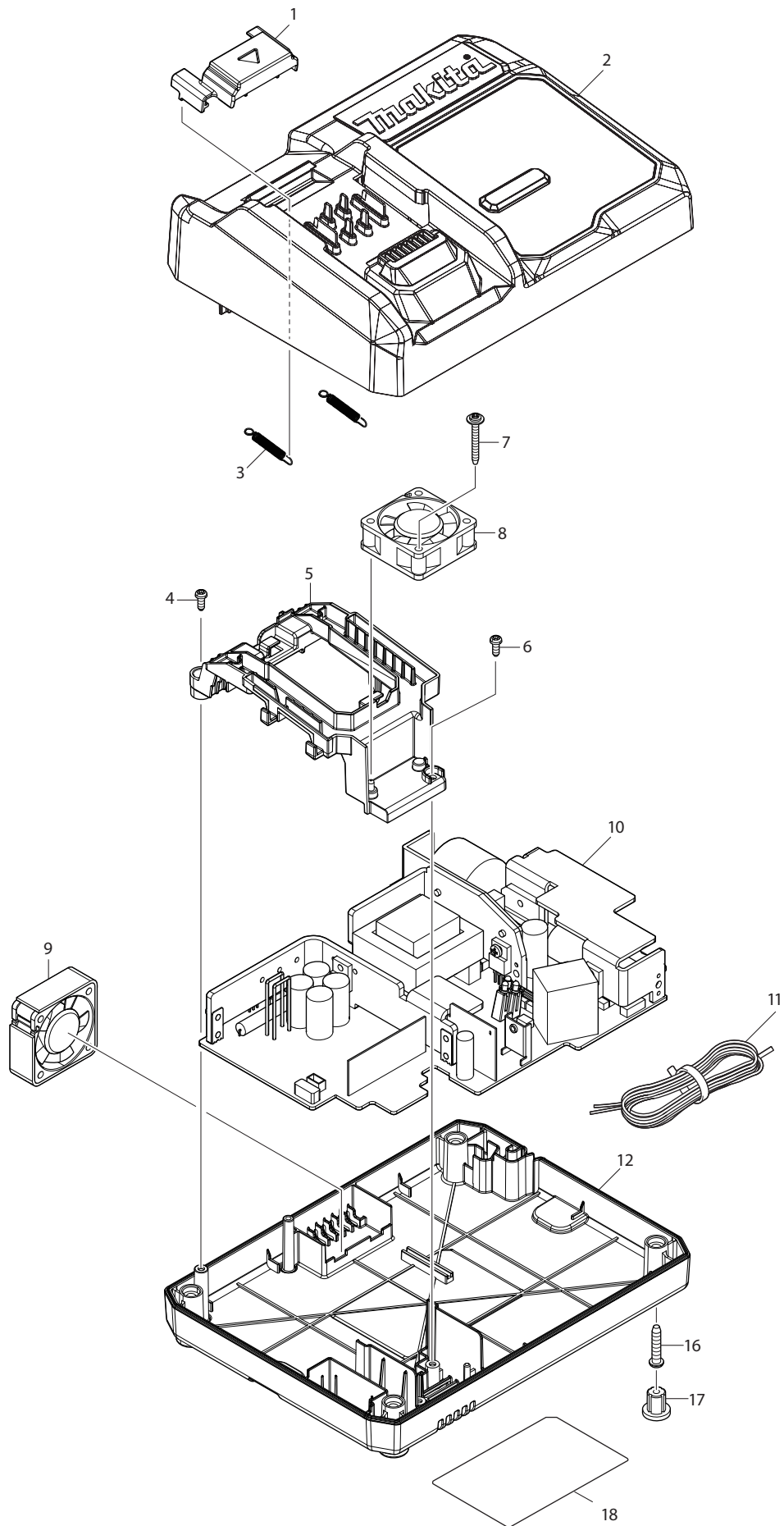
A = Standard Equipment

O = Circuit Diagram

Item#	Part#	Description	Q'ty	Unit
001	286287-0	TOOL HOLDER CAP	1	PC.
002	451432-8	CHUCK COVER	1	PC.
003	231984-3	RING SPRING 25	1	PC.
004	267272-2	FLAT WASHER 28	1	PC.
005	424261-2	RUBBER RING 28	1	PC.
006	331659-5	CHUCK RING	1	PC.
007	310108-5	TOOL RETAINER	2	PC.
008	346677-0	SPRING GUIDE	1	PC.
009	233387-7	COMPRESSION SPRING 52	1	PC.
010	346141-1	PLATE	1	PC.
011	216002-8	STEEL BALL 4.8	4	PC.
012	310145-9	LOCK RING	1	PC.
013	451433-6	CHANGE RING	1	PC.
014	141F87-0	HOUSING COVER	1	
015	257960-9	RETAINING RING(INT) ROUND R-42	1	PC.
016	267273-0	FLAT WASHER 29	1	PC.
017	424261-2	RUBBER RING 28	1	PC.
018	327778-3	TOOL HOLDER	1	
019	213527-3	O RING 38	1	PC.
020	213394-6	O RING 23	1	PC.
021	213431-6	FLUORIDE RING 28	1	PC.
022	136454-6	IMPACT BOLT ASSY	1	
	D10	INC. 20,21		
023	213286-9	O-RING 48	1	PC.
024	312A51-0	BARREL	1	
025	922341-3	HEX. SOCKET HEAD BOLT M6X25	4	PC.
026	213656-2	O RING 53	1	PC.
027	325732-1	RING 20	1	PC.
028	424245-0	RUBBER RING 20	1	PC.
029	267407-5	FLAT WASHER 23	1	PC.
030	451639-6	GUIDE RING	1	PC.
031	412986-0	SLIDE SLEEVE	1	
032	324388-7	STRIKER	1	PC.
033	213958-6	O RING 24	1	PC.
034	327694-9	CYLINDER 32	1	
035	233927-1	RING SPRING 34	1	PC.
036	331660-0	RING 36	1	PC.
037	233407-7	COMPRESSION SPRING 37	1	PC.
038	233927-1	RING SPRING 34	1	PC.
039	318510-6	CYLINDER GUIDE	1	PC.
040	213611-4	O RING 46	1	PC.
041	233927-1	RING SPRING 34	1	PC.
042	267079-6	FLAT WASHER 34	1	PC.
043	424607-2	FILTER CAP	1	PC.
046	443129-3	FILTER	1	PC.
047	412978-9	CRANK CAP	1	
048	911233-1	PAN HEAD SCREW M5X20	4	PC.
049	234282-4	COMPRESSION SPRING 12	2	PC.
050	422647-4	SEAL RING	1	
051	327693-1	CRANK SHAFT 18.5	1	
052	962157-4	RETAINING RING R-40	1	PC.

053	211490-4	BALL BEARING 6203LLU	1 PC.
054	267825-7	WAVE WASHER 30	1 PC.
055	136390-6	CRANK HOUSING ASSY	1
C10	213678-2	OIL SEAL 12	1 PC.
056	266041-8	TAPPING SCREW 5X25	4 PC.
057	418350-3	CONNECTING ROD	1 PC.
058	418349-8	PISTON	1 PC.
059	268104-6	PIN 8	1 PC.
060	213432-4	O RING 26	1 PC.
061	213958-6	O RING 24	1 PC.
062	412984-4	SPRING PLATE A	2
063	234134-9	COMPRESSION SPRING 12	2 PC.
064	327842-0	COUNTER WEIGHT	2 PC.
065	234134-9	COMPRESSION SPRING 12	2 PC.
066	213A09-1	O RING 19	6 PC.
069	140W77-2	HOLDER COMPLETE	2
070	346140-3	GRIP SPRING 70	1 PC.
071	266522-2	SQUARE BOLT M8X95	1 PC.
072	418363-4	SIDE GRIP BASE 60	1 PC.
073	158131-0	GRIP 36 COMPLETE	1 PC.
075	211106-1	BALL BEARING 6201LLB	1 PC.
076	253744-3	FLAT WASHER 12	1 PC.
077	519642-4	ROTOR ASS'Y	1
D10		INC. 75,76,78	
078	210005-4	BALL BEARING 608DDW	1 PC.
079	412983-6	BAFFLE PLATE	1
080	265999-8	TAPPING SCREW 4X25	4 PC.
081	629335-6	STATOR	1 PC.
082	620D76-1	CONTROLLER B	1 PC.
083	687B69-9	STOPPER	1 PC.
084	266490-9	TAPPING SCREW PT 2X6	3 PC.
085	632R64-0	LEAD UNIT	1
086	652031-1	PAN HEAD SCREW M3X6	3 PC.
087	412982-8	MOTOR HOUSING	1
088	256380-4	SHOULDER PIN 4-6	2 PC.
089	412985-2	BASE	1
090	232643-2	TORSION SPRING 13	1
091	140W48-9	LEVER COMPLETE	1 PC.
092	263046-9	TAPPING SCREW 3X14	2 PC.
093	620D75-3	SENSOR CIRCUIT	1
094	266326-2	TAPPING SCREW 4X18	2 PC.
095	620796-3	DIAL CIRCUIT	1 PC.
096	140W78-0	MOTOR HOUSING COVER COMPLETE	1
C10	422730-7	SPONGE SHEET	1 PC.
097	265999-8	TAPPING SCREW 4X25	2 PC.
098	265999-8	TAPPING SCREW 4X25	4 PC.
099	183S08-4	HOUSING SET	1
C10	422646-6	CAP 10	2 PC.
C20	347755-9	GUARD RAIL	2
C30	8013D8-1	CAUTION LABEL	1
D10		INC. 115	
100	232411-3	COMPRESSION SPRING 8	1 PC.
101	620549-0	LED CIRCUIT	1 PC.
102	620E09-2	CONTROLLER	1
103	422642-4	CUSHION RUBBER	1
104	232650-5	COMPRESSION SPRING 13	1
105	183R85-0	BATTERY HOLDER SET	1

	C10	263005-3	RUBBER PIN 6	2 PC.
	D10		INC. 108	
106		346039-2	SUPPORT PLATE	1 PC.
107		632P49-4	TERMINAL UNIT	1 PC.
108		183R85-0	BATTERY HOLDER SET	1
	C10	263005-3	RUBBER PIN 6	2 PC.
	D10		INC. 105	
109		266326-2	TAPPING SCREW 4X18	2 PC.
110		232152-1	LEAF SPRING	1 PC.
111		412981-0	TRIGGER LOCK	1
112		412980-2	SWITCH LEVER	1
113		232561-4	COMPRESSION SPRING 5	1 PC.
114		651399-2	SWITCH C3JW-6B-PA	1 PC.
115		183S08-4	HOUSING SET	1
	C10	422646-6	CAP 10	2 PC.
	C20	347755-9	GUARD RAIL	2
	C30	8013D8-1	CAUTION LABEL	1
	D10		INC. 99	
116		140F99-0	CAP COMPLETE	1 PC.
	C10	213218-6	O RING 16	1 PC.
	C20	818H07-8	CAP LABEL	1 PC.
117		266326-2	TAPPING SCREW 4X18	8 PC.
118		8012U4-2	XGT LOGO LABEL	1
119		857X99-8	GMH01 SERIAL NO. LABEL	1
120		857X93-0	GMH01 NAME PLATE	1
121		135332-7	GRIP 36 ASSEMBLY	1 PC.
	D10		INC. 70-73	
A01		194683-7	GREASE VESSEL SET	1 PC.
A02		443122-7	CLOTH	1 PC.
A03		141D88-6	PLASTIC CASE	1



Model DC40RA Parts List

A = Standard Equipment

O = Circuit Diagram

Item#	Part#	Description	Q'ty	Unit
001	459475-4	TERMINAL COVER	1	PC.
002	140N46-9	CHARGER CASE COMPLETE	1	PC.
	C10 459476-2	LENS	1	PC.
	C20 819V01-7	CHARGING CONDITION LABEL	1	PC.
003	232565-6	TENSION SPRING 4	2	PC.
004	265B02-7	TAPPING SCREW 3X8	1	PC.
005	459474-6	TERMINAL BASE	1	PC.
006	265B02-7	TAPPING SCREW 3X8	1	PC.
007	265A61-5	TAPPING SCREW FLANGE 3X25	1	PC.
008	632P24-0	FAN 40	1	PC.
009	632P25-8	FAN 40	1	PC.
010	620B41-8	CHARGING CIRCUIT	1	PC.
010	C11 647075-4	VARISTOR	1	PC.
	C20 652089-0	FUSE	1	PC.
011	667982-5	VINYL CORD #18-2-2.0	1	PC.
012	459846-5	CHARGER CASE COVER	1	PC.
016	265B01-9	TAPPING SCREW PT 4X20	4	PC.
017	286255-3	CAP 13	4	PC.
018	857F48-7	DC40RA NAME PLATE	1	PC.
E01	819V02-5	CAUTION LABEL	1	PC.