



**BOSCH**

# Laser Level

GLL 1P | 3 601 K66 C10

---

## Table of Content

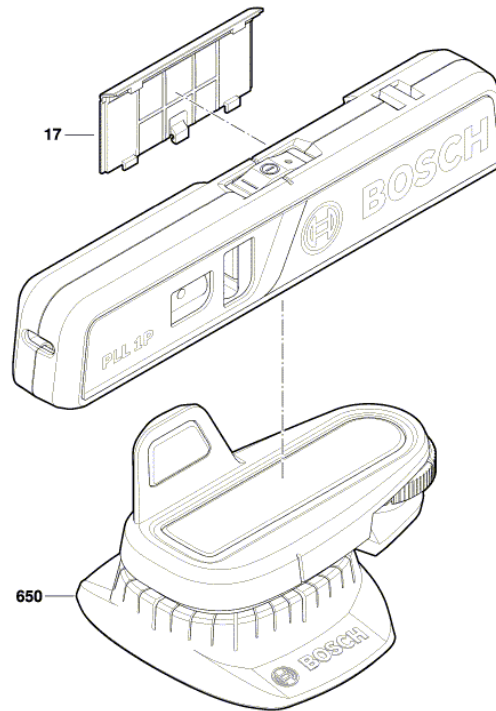
Spare parts list.....	2
Illustration - Type.....	3

Spare parts list

Item	Part Number	Description	Illustration
17	1 619 PA5 374	Battery Cover	1
650	1 619 PA4 738	Base	1

Illustration - Type - E

3 603 F63 300  
Issue | 12-10-23  
Stand | Fig./Abb. 1



Modifications reserved  
Änderungen vorbehalten  
Modifications réservées  
Salvo modificaciones