



BOSCH

Circular hand saw

GKS 235 | 3 601 E7A 080

Table of Content

Spare parts list.....	2
Illustration - Type.....	5

Spare parts list

Item	Part Number	Description	
2	1 619 P14 887	Field	
4	1 619 P01 115	Switch	
5	1 619 P02 329	Power supply cord H05 VV-F	CN 2,65m 2 x 1,00mm
6	2 600 703 013	Grommet	Ø7,6-Ø8,2x95 MM
7	1 619 P01 104	Cable Clip	
9	1 619 P02 719	Manufacturer's nameplate	
12	1 619 P01 137	Suppression Filter	
13	2 610 017 348	groove ball bearing	
14	1 619 P06 095	groove ball bearing	
19	2 603 490 021	Torx Oval-Head Screw	4x12
22	1 619 P01 139	End cap	
23	1 619 P01 140	Baffle	BLACK
24	1 619 P01 141	Set Of Handles	BLUE
25	1 619 P01 142	Auxiliary Handle	BLACK
26	1 619 P01 127	Rubber Ring	
27	1 619 P01 151	Cable	
28	1 619 P01 152	Cable	
29	2 610 918 148	Cable	
32	1 619 P01 156	Switch Button	
33	2 610 935 251	Compression Spring	
34	1 619 P01 637	Strain-Relief Clamp	
37	1 619 P01 143	Cap	BLACK
38	1 619 P01 620	Guide Bracket	
39	1 619 P01 642	Compression Spring	
41	1 619 P07 414	Shim washer	
46	1 619 P01 623	Shaft	
47	1 900 905 279	groove ball bearing	15x35x11
48	1 900 905 173	groove ball bearing	6000-2RS DIN 625
49	1 619 P01 624	Cylindrical Gear	
50	1 619 P01 153	Washer	
51	1 619 P01 626	Locking Washer	
52	1 619 P01 634	Clamp Screw	
53	1 619 P01 628	Bearing Flange	
54	1 619 P01 629	Retaining Plate	

Spare parts list

Item	Part Number	Description	
55	1 619 P02 619	Plain Washer	
58	1 600 A00 XZ3	Pivoting Blade Guard	
60	1 619 P01 632	Extension Spring	
61	1 619 P01 633	Bumper	
62	1 619 P02 580	Spacer Tube	
63	1 619 P02 410	Flange Bushing	
64	1 619 P02 409	Supporting Frame	
65	1 619 P02 411	Stud bolt	
66	1 600 A00 XU4	Protective Guard	
67	2 917 780 185	Slotted Spring Pin	DIN 7346-8x45
68	1 619 P02 408	Riving Knife	
69	1 619 P02 404	Base Plate	
70	1 600 A00 XZ9	Hinge Bracket	
71	1 619 P02 405	Depth-Gauge	
72	1 619 P02 406	Rocker	
73	1 619 P02 407	Hinge	
74	2 610 923 224	Shoulder Screw	
75	2 915 061 003	Hex Nut	DIN 985-M 5-8-A
76	1 619 P01 636	Wing Nut	
78	2 910 281 201	Round-Head Bolt	DIN 603-M6x20
79	1 619 P01 668	Adjusting Lever	
80	1 600 A00 Z5N	Rod	
81	2 916 021 013	Plain Washer	8-ST
82	1 619 P02 412	Collar bolt	
83	1 619 P02 413	Plain Washer	
84	1 619 P01 618	Wing Screw	BLACK
87	1 619 P01 643	Screw	
88	1 619 P01 644	Screw	
89	1 619 P01 676	Screw	
90	2 610 924 685	Adjusting Screw	
91	1 619 P01 677	Screw	M5x10-H
93	1 619 P01 679	Screw	
94	1 619 P01 680	Screw	M6x20-H
95	1 619 P01 673	Screw	
653	2 610 364 015	Hexagon Socket Screw Key	5 MM

Spare parts list

Item	Part Number	Description
660	1 619 X01 612	Mitre Fence
801	1 619 P04 514	Motor Housing
803	1 619 P01 696	Armature set 230V
808	1 619 P02 661	Nameplate
810	1 619 P01 685	Carbon-Brush Set
816	1 619 P02 799	Brush Holder

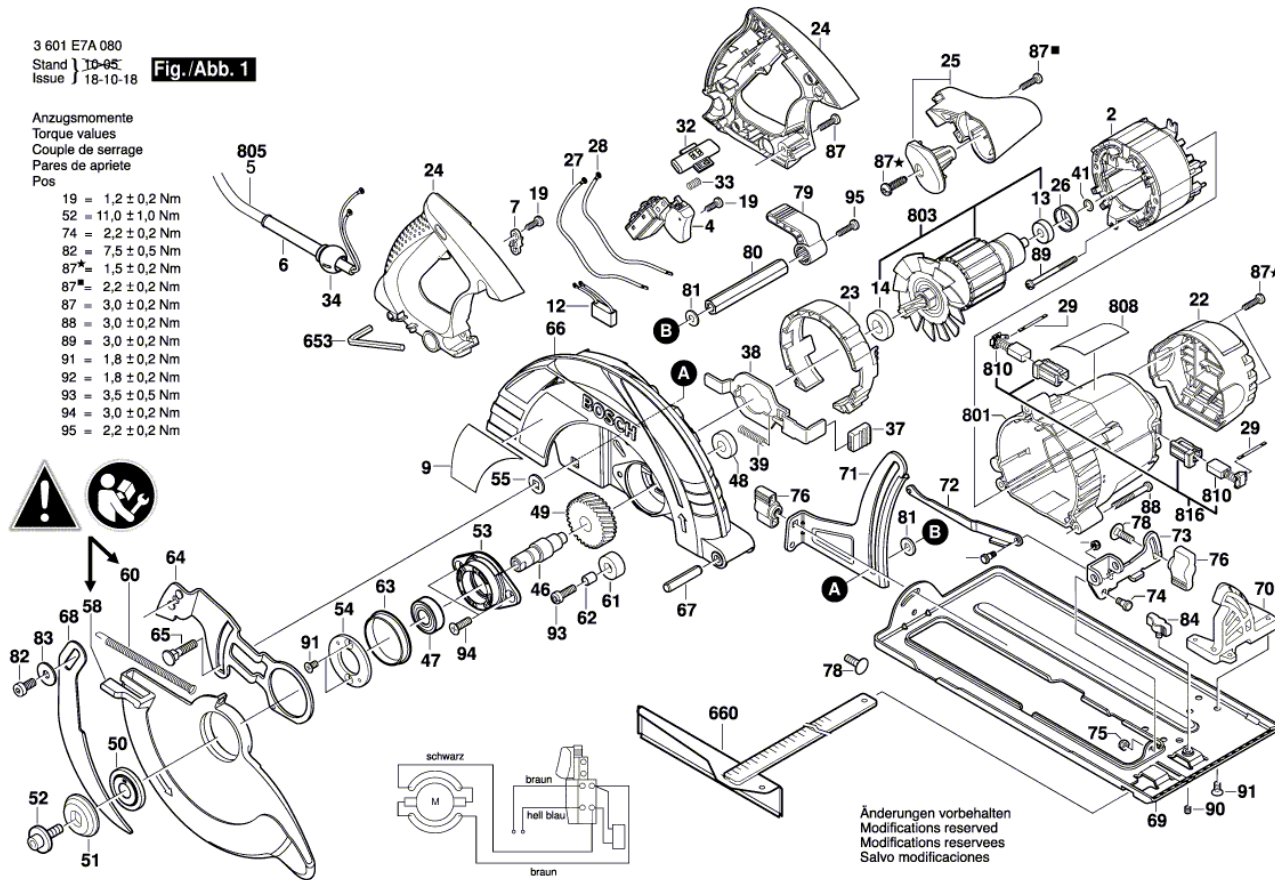
Illustration - Type - E

3 601 E7A 080
 Stand } 10-05
 Issue } 18-10-18

Fig./Abb. 1

Anzugsmomente
 Torque values
 Couple de serrage
 Pares de apriete
 Pos

- 19 = 1,2 ± 0,2 Nm
- 52 = 11,0 ± 1,0 Nm
- 74 = 2,2 ± 0,2 Nm
- 82 = 7,5 ± 0,5 Nm
- 87* = 1,5 ± 0,2 Nm
- 87^m = 2,2 ± 0,2 Nm
- 87 = 3,0 ± 0,2 Nm
- 88 = 3,0 ± 0,2 Nm
- 89 = 3,0 ± 0,2 Nm
- 91 = 1,8 ± 0,2 Nm
- 92 = 1,8 ± 0,2 Nm
- 93 = 3,5 ± 0,5 Nm
- 94 = 3,0 ± 0,2 Nm
- 95 = 2,2 ± 0,2 Nm



Änderungen vorbehalten
 Modifications reserved
 Modifications reserves
 Salvo modificaciones