



**BOSCH**

# Circular hand saw

GKS 190 | 3 601 E23 Y80

---

## Table of Content

Spare parts list.....	2
Illustration - Type.....	5

## Spare parts list

Item	Part Number	Description	Illustration	Price	Quantity	Price Group
1	1 619 P01 130	Motor Housing	1	-	1	
2	1 619 P01 131	Field 220-240V	1	-	1	
4	1 619 P01 161	On-Off Switch	1	-	1	
5	1 619 P01 172	Power supply cord	1	-	1	
6	1 619 P01 173	Grommet	1	-	1	
7	1 619 P01 183	Claw Clip	1	-	1	
9	1 619 P01 080	Manufacturer's nameplate	1	-	1	
12	1 619 P01 190	Suppression Filter	1	-	1	
13	1 619 P01 192	groove ball bearing	1	-	1	
14	1 619 P01 193	groove ball bearing	1	-	1	
16	1 619 P01 194	Brush Holder	1	-	2	
17	1 619 P01 195	Screw Plug	1	-	2	
19	1 619 P01 196	Tapping Screw	1	-	2	
21	1 619 P01 197	Handle	1	-	1	
22	1 619 P06 331	Protective Guard	1	-	1	
23	1 619 P01 198	Fan Cover	1	-	1	
24	1 619 P01 200	Upper Housing	1	-	1	
25	1 619 P01 203	Washer	1	-	1	
26	1 619 P01 204	Rubber Spring	1	-	1	
28	1 619 P01 205	connecting terminal	1	-	1	
29	1 619 P01 206	Lock Bolt	1	-	1	
30	1 619 P01 207	Spring	1	-	1	
32	1 619 P01 210	Protective Cover	1	-	1	
33	1 619 P01 212	Holding Handle	1	-	1	
34	1 619 P01 211	Spring	1	-	1	
35	1 619 P01 214	Retaining ring	1	-	1	
36	1 619 P01 222	Guide Bushing	1	-	1	
37	1 619 P01 220	Flange Plate	1	-	1	
39	1 619 P01 230	End stop	1	-	1	
40	1 619 P01 231	Spring Pin	1	-	1	
42	1 619 P01 229	Base Plate	1	-	1	
43	1 619 P01 238	Wing Nut	1	-	2	
44	1 619 P01 239	Trunnion	1	-	2	
45	1 619 P01 240	Washer	1	-	2	
47	1 619 P01 241	Nut	1	-	1	

\* Prices shown are suggested retail prices

## Spare parts list

Item	Part Number	Description	Illustration	Price	Quantity	Price Group
48	1 619 P01 242	Trunnion	1	-	1	
49	1 619 P01 243	Spring	1	-	1	
50	1 619 P01 244	Spring	1	-	1	
54	1 619 P01 245	Trunnion	1	-	1	
55	1 619 P01 246	Locking Lever	1	-	1	
58	1 619 P01 247	Hex Socket Head Cap Screw	1	-	2	
59	1 619 P01 248	Tapping Screw	1	-	4	
60	1 619 P01 249	Tapping Screw	1	-	2	
61	1 619 P01 250	Tapping Screw	1	-	1	
62	1 619 P01 251	Tapping Screw	1	-	1	
63	1 619 P01 252	Tapping Screw	1	-	3	
64	1 619 P01 253	Tapping Screw	1	-	2	
65	1 619 P01 254	Spring Washer	1	-	2	
70	1 619 P01 255	Bearing	1	-	1	
71	1 619 P01 256	Gear	1	-	1	
72	1 619 P01 269	Spindle	1	-	1	
73	1 619 P01 258	Retaining ring	1	-	1	
74	1 619 P01 259	Corrugated Washer	1	-	1	
75	1 619 P01 260	Bearing	1	-	1	
76	1 619 P01 188	Gear Cover	1	-	1	
77	1 619 P01 189	Lining	1	-	1	
80	1 619 P01 264	Change-Over Switch	1	-	1	
81	1 619 P01 265	Spring	1	-	1	
83	1 619 P01 266	O-Ring	1	-	1	
84	1 619 P01 267	Wire	1	-	1	
85	1 619 P01 268	Plain Washer	1	-	1	
86	1 619 P01 126	Manufacturer's nameplate	1	-	1	
87	1 619 P01 175	Knife Support	1	-	1	
88	1 619 P01 176	Riving Knife	1	-	1	
89	1 619 P01 177	Clamp	1	-	1	
90	1 619 P01 178	Spring Washer	1	-	2	
91	1 619 P01 179	Screw	1	-	2	
95	1 619 P01 187	Protector	1	-	2	
96	1 619 P01 202	Screw	1	-	3	
661	1 619 P01 070	Parallel-Guide	1	-	1	

\* Prices shown are suggested retail prices

## Spare parts list

Item	Part Number	Description	Illustration	Price	Quantity	Price Group
662	1 619 P01 076	Protective Cover	1	-	1	
663	1 619 P01 077	Cap-Handle	1	-	1	
803	1 619 P01 310	Armature With Fan 220-240V	1	-	1	
806	1 619 P01 315	Set Of Gears	1	-	1	
808	1 619 P01 614	Nameplate	1	-	1	
810	1 619 P01 317	Carbon-Brush Set	1	-	1	
830	1 619 P01 072	Auxiliary Handle	1	-	1	
830/832	1 619 P01 323	Screw	1	-	1	
830/833	1 619 P01 324	Washer	1	-	1	
838	1 603 414 007	Hex Socket Head Cap Screw M6x14 MM	1	-	1	

\* Prices shown are suggested retail prices

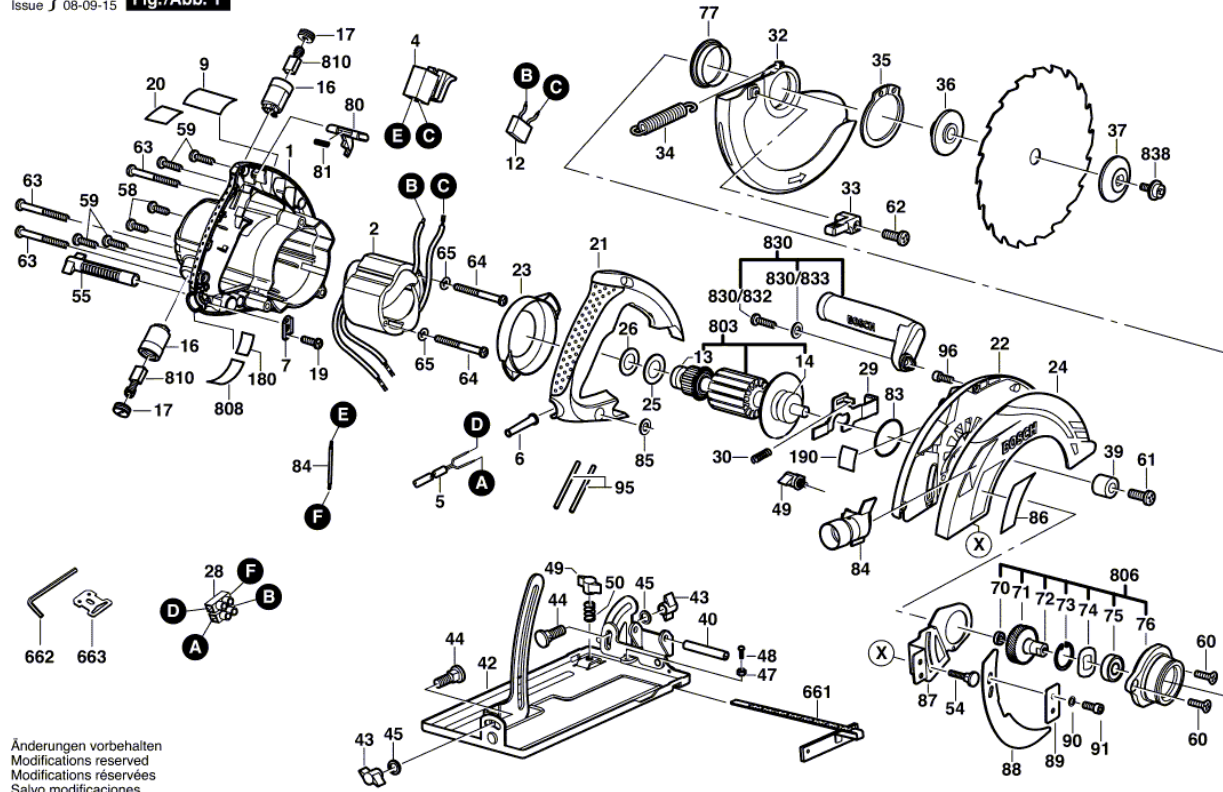
Illustration - Type - E

3 601 E23 Y80

Stand 1 7 47

Issue 08-09-15

Fig./Abb. 1



Änderungen vorbehalten  
 Modifications reserved  
 Modifications réservées  
 Salvo modificaciones