



BOSCH

Cordless Circular Saw

GKS 18V-68 GC | 3 601 FB5 180

Table of Content

Spare parts list.....	2
Illustration - Type.....	4

Spare parts list

Item	Part Number	Description
1	1 605 806 5TR	Housing
4	1 604 400 01S	Cable
5	1 607 233 5G6	Electronic Module
7	1 600 A02 5GR	Cover
26	1 619 P06 237	Flange Bushing
31	1 600 A01 286	Protection cover
32	2 610 386 516	Torx Oval-Head Screw M4x12
33	1 600 210 041	O-Ring 42,0x1,1 MM
37	2 605 730 067	Suction Socket
45	1 600 A01 9H0	Cover
51	1 600 A01 D0W	Locking Washer
52	1 619 P06 232	Screw
54	1 619 P06 238	Locking Washer
58	1 600 A01 52P	Lower guard
59	2 914 201 504	Torx Oval-Head Screw
60	1 600 A00 XC9	Extension Spring
61	1 619 P06 236	Bumper BLACK
62	1 604 612 02N	Compression Spring
63	1 600 A00 RD6	Special Screw
64	1 600 A01 92G	Lever
67	1 619 P11 929	Screw
68	2 609 003 491	Hex Nut
69	1 600 A01 5PA	Base Plate
70	1 600 A01 50K	Steel Cable
71/71	1 600 A01 74J	Bridge
71/73	2 600 590 006	Ratchet Cap
71/76	2 610 387 875	Hex Nut
71/77	2 916 011 014	Plain Washer DIN 125-A 6,4-ST
71/78	2 910 281 205	Round-Head Bolt DIN 603 - M6x30
71/86	2 609 007 156	Washer
71/889	1 607 000 DL4	Carrier
71/890	1 607 000 DL3	Carrier
71/98	1 603 430 0A3	Screw M6x35
71/99	1 600 A01 9B3	Hex Nut
72	1 609 280 477	Compression Spring

Spare parts list

Item	Part Number	Description
74	2 603 400 016	Set screw
75	2 914 201 529	Torx Oval-Head Screw
79	1 600 A01 4VC	Safety Switch
85	1 603 480 018	Wing Screw M6
87	2 916 080 014	Locking Washer DIN 6799-12-FST
88	1 600 A01 DD4	Corrugated Washer
91	2 603 490 022	Screw 4x16
92	2 914 491 413	Screw
94	1 619 P06 246	Screw
97	1 600 A01 B11	Locking Lever
101	1 603 430 03T	Screw
106	1 600 A01 4R6	Contact Plate
107	1 600 A01 243	Locking element
108	1 600 A01 2CF	Holder
109	1 600 A01 3BF	Spring
110	1 603 435 092	Thread-forming tap. Screw
111	1 600 A00 Y2H	Locking Slide
115	2 603 490 020	Torx Oval-Head Screw 4x8
120	1 600 A01 6MW	Cable
121	1 607 233 5GD	Electronic Module
130	1 604 400 01A	Cable
131	1 600 A01 6CZ	Electronics Module
132	1 600 A01 ZE2	Electronics Module
135	1 605 500 2F9	Cover
136	1 600 A00 M52	Rubber Sponge
137	2 916 190 013	Shim ring 1,0 MM
138	1 600 100 632	Shim 0,2 MM THICK
140	1 601 11C 2RY	Sticker
620	2 610 364 015	Hexagon Socket Screw Key 5 MM
660	1 619 P06 230	Washer
680	1 619 X01 612	Mitre Fence
803	1 607 000 DL2	Drive Unit
808	1 601 11A 7SF	Nameplate
822	1 607 000 DL5	Auxiliary Handle

Illustration - Type - E

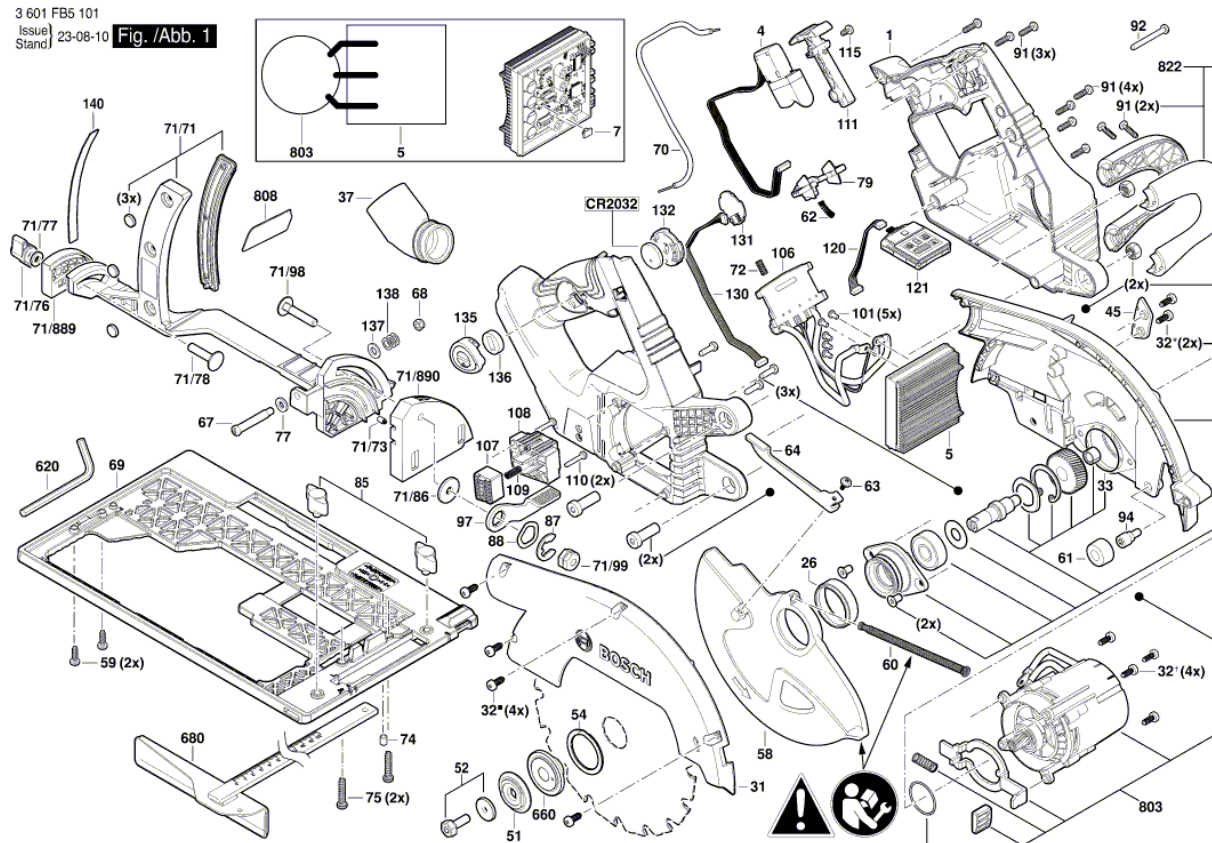
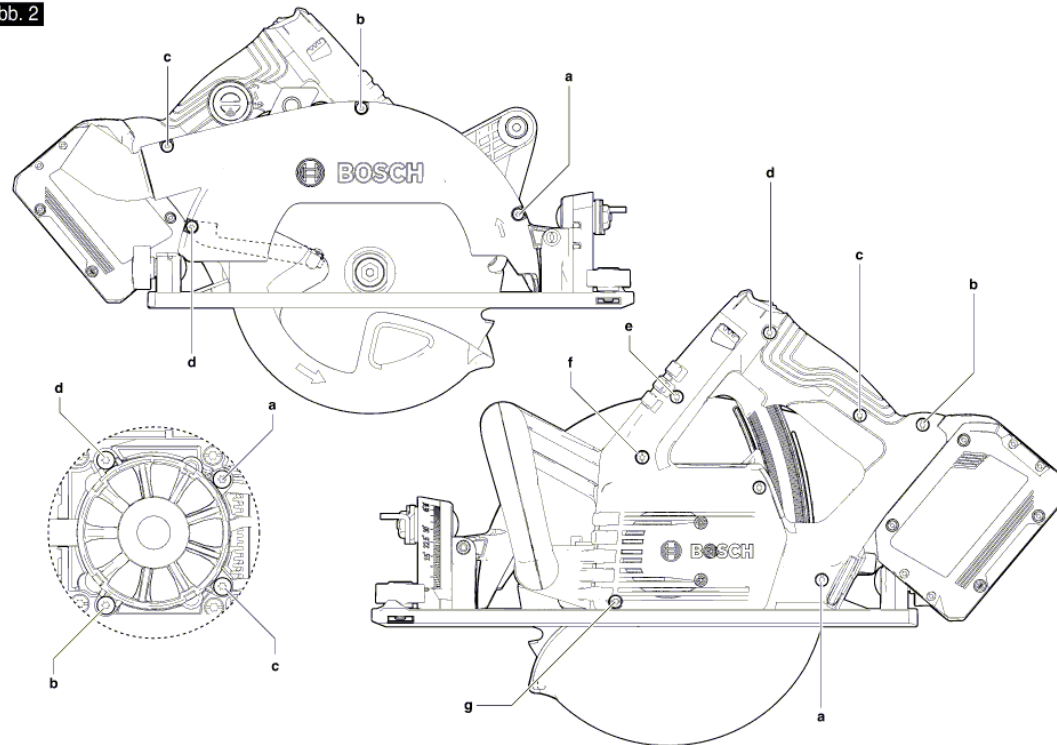


Illustration - Type - E

3 601 FB5 101
 Issue/Stand | 23-08-10 | Fig./Abb. 2

- Anzugsmomente
 Torque values
 Couple de serrage
 Pares de apriete
- Pos. 23 = 2.4 - 2.6 Nm
 - Pos. 32* = 1.8 - 2.0 Nm
 - Pos. 32' = 3.05 - 3.25 Nm
 - Pos. 32* = 2.3 - 2.5 Nm
 - Pos. 52 = 7.0 - 8.0 Nm
 - Pos. 59 = 1.5 - 1.7 Nm
 - Pos. 63 = 2.3 - 2.5 Nm
 - Pos. 67 = 1.6 - 1.8 Nm
 - Pos. 75 = 2.2 - 2.4 Nm
 - Pos. 91 = 2.2 - 2.4 Nm
 - Pos. 92 = 2.8 - 3.0 Nm
 - Pos. 94 = 2.8 - 3.0 Nm
 - Pos. 95 = 1.8 - 2.0 Nm
 - Pos. 96 = 3.8 - 4.0 Nm
 - Pos. 98 = 1.6 - 1.8 Nm
 - Pos. 101 = 1.9 - 2.1 Nm
 - Pos. 110 = 1.0 - 1.2 Nm
 - Pos. 115 = 1.2 - 1.4 Nm



Modifications reserved
 Änderungen vorbehalten
 Modifications réservées
 Salvo modificaciones