



BOSCH

Cordless Circular Saw

GKS 18V-22 | 3 601 FC1 210

Table of Content

Spare parts list.....	2
Illustration - Type.....	4

Cordless Circular Saw | GKS 18V-22 | 3 601 FC1 210

Spare parts list			
Item	Part Number	Description	Illustration
1	1 619 P16 879	Motor Housing	1
2	1 619 P16 618	Stator	1
3	1 619 P16 617	Rotor	1
4	1 619 P16 372	Electronic Module	1
20	1 619 P17 632	Warning Label	1
20	1 619 P17 633	Warning Label	1
20	1 619 P17 635	Warning Label	1
22	1 619 P16 880	Handle	1
23	1 619 P17 004	Cover	1
24	1 619 P16 881	Baffle	1
25	1 619 P16 931	Set ring	1
33	1 619 P17 110	Key Holder	1
34	1 619 P06 225	Cap	1
37	1 619 P17 057	Suction Socket	1
38	1 619 P16 906	Guide Bracket	1
39	1 619 P01 642	Compression Spring	1
50	1 619 P17 444	Inner Disc	1
51	1 619 P17 074	Locking Washer	1
52	1 619 P06 232	Screw	1
54	1 619 P06 238	Locking Washer	1
57	1 600 210 050	O-Ring 35,0x1,0 MM	1
58	1 619 P16 878	Lower guard	1
59	F 000 640 007	O-Ring	1
60	1 619 P17 216	Extension Spring	1
61	1 619 P06 236	Bumper BLACK	1
62	2 610 935 251	Compression Spring	1
64	2 600 590 006	Ratchet Cap	1
67	1 619 P09 219	Shoulder Screw	1
68	2 610 924 684	Jam Nut	1
69	1 619 P16 883	Base Plate	1
70	2 610 001 398	Adjusting Screw	1
71	1 619 P16 912	Adjusting Bolt	1
72	2 604 690 055	Compression Spring	1
74	1 619 P02 796	Retaining ring	1
75	1 619 P17 175	Adjusting Nut	1

Spare parts list

Item	Part Number	Description	Illustration
76	1 619 P17 173	Lever	1
77	2 916 011 014	Plain Washer DIN 125-A 6,4-ST	1
78	1 619 P09 218	Round-Head Bolt M6x30	1
79	1 619 P16 910	Switch Button	1
80	1 619 P16 908	Lever	1
81	1 619 P16 913	Scale	1
82	1 619 P16 907	Adjustment rod	1
85	1 619 P01 618	Wing Screw BLACK	1
87	2 603 490 022	Screw 4x16	1
88	1 619 P17 511	Label	1
89	1 619 P16 905	Bracket	1
90	1 619 P16 884	Hinge Bracket	1
91	1 619 P16 885	Bracket	1
92	1 619 P16 903	Hinge	1
93	1 613 435 015	Torx Oval-Head Screw M5x12-TORX,T25 SILVER	1
94	1 619 P06 246	Screw	1
95	2 610 925 864	Screw	1
96	1 619 P01 931	Screw BLACK	1
97	1 619 P11 431	Thread-forming tap. Screw	1
98	1 619 P16 997	Scale	1
651	2 610 364 015	Hexagon Socket Screw Key 5 MM	1
653	1 619 P16 999	Mitre Fence	1
808	1 619 P17 456	Nameplate	1
823	1 619 P17 446	Upper guard	1
853	1 619 P17 447	Bearing Flange	1
654	2 607 225 927	Charger USA BC 1880 CV 13,3-18V/120V	2
657	1 607 A35 0AP	Battery Pack USA GBA18V40 18V 4.0Ah ProCore SCM	2
657	2 607 336 819	Battery Pack USA BAT620 18V 4,0Ah	2

Illustration - Type - E

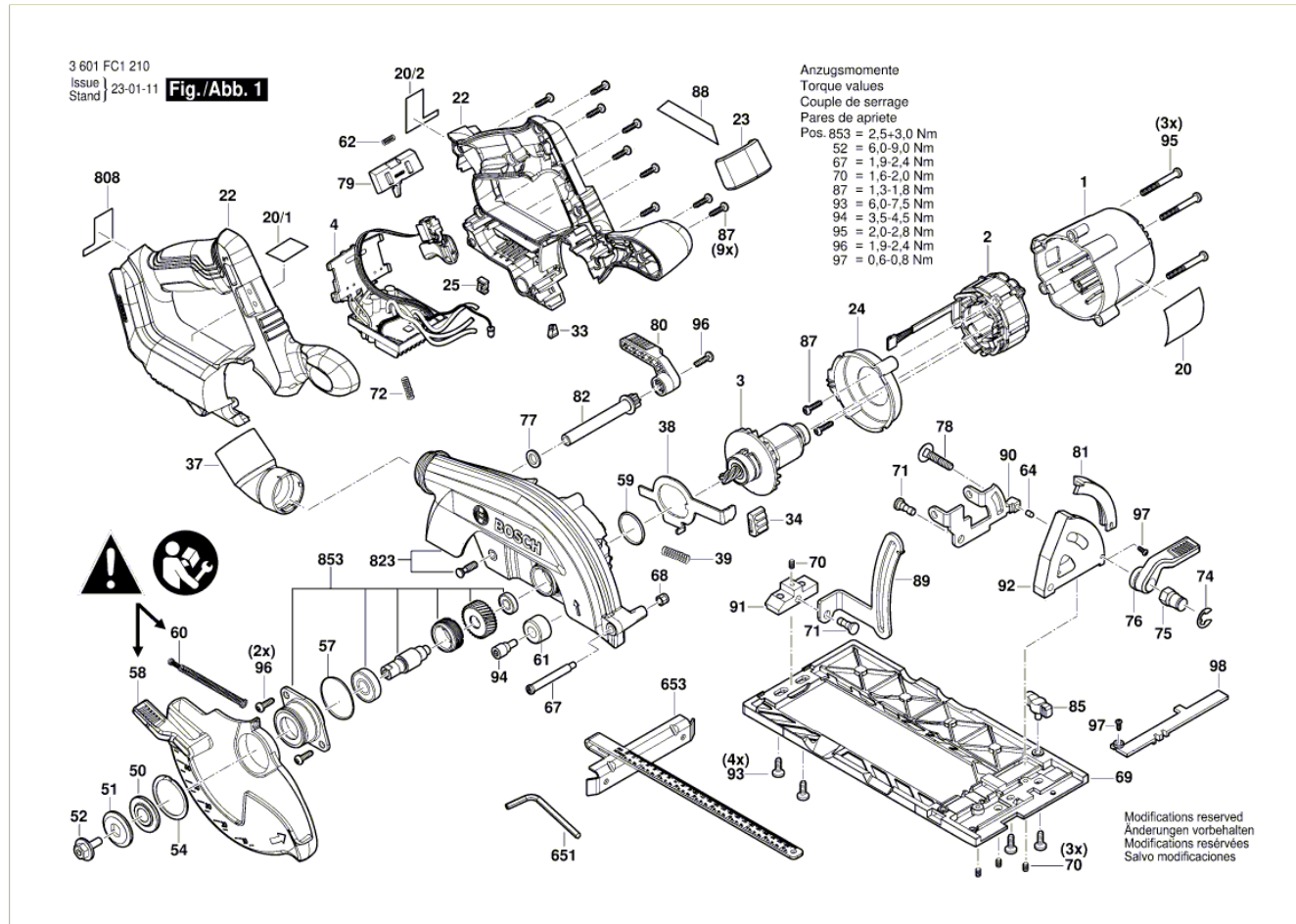
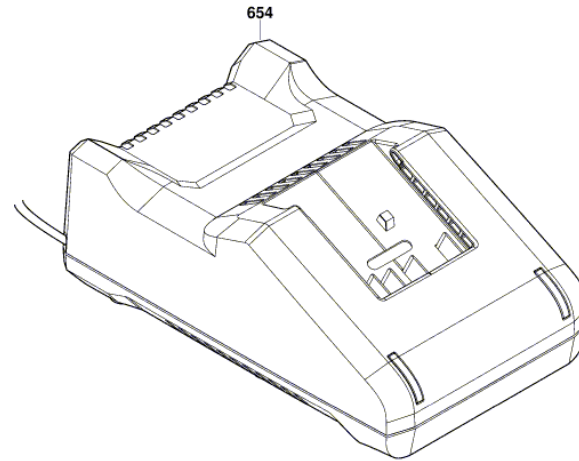
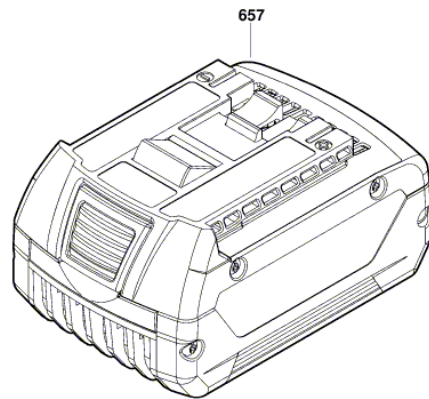


Illustration - Type - E

3 601 FC1 210
Issue | 23-01-11
Stand | **Fig./Abb. 2**



Modifications reserved
Änderungen vorbehalten
Modifications réservées
Salvo modificaciones