

SCREW ON HAND TIGHT 4

2 TORQUE 20-25 IN-LBS

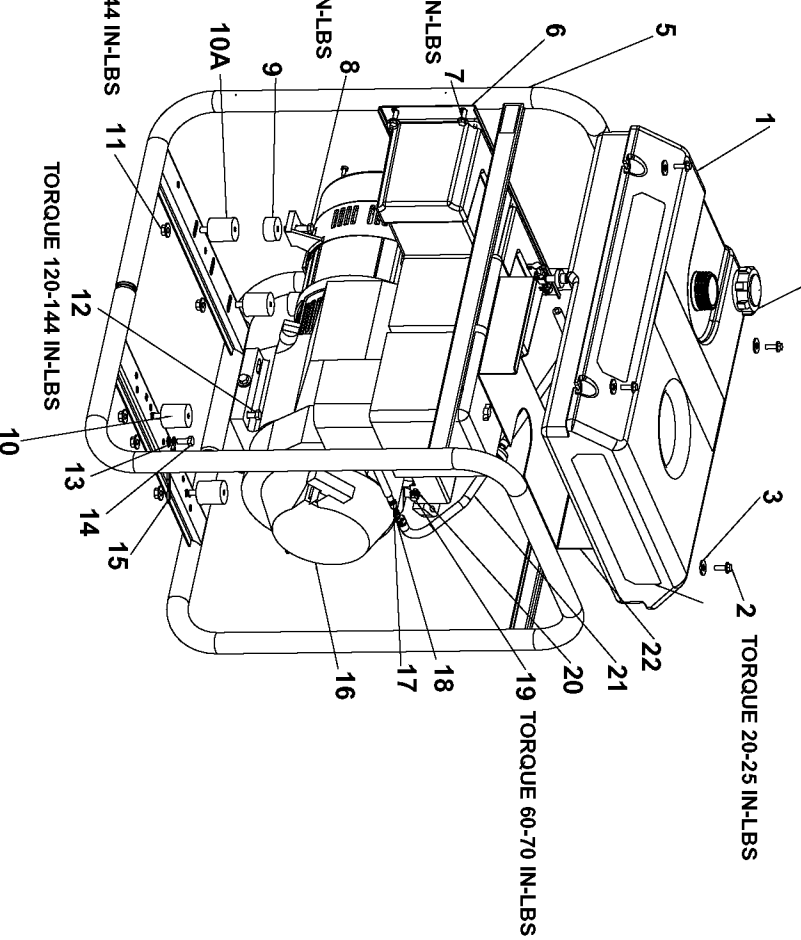
19 TORQUE 60-70 IN-LBS

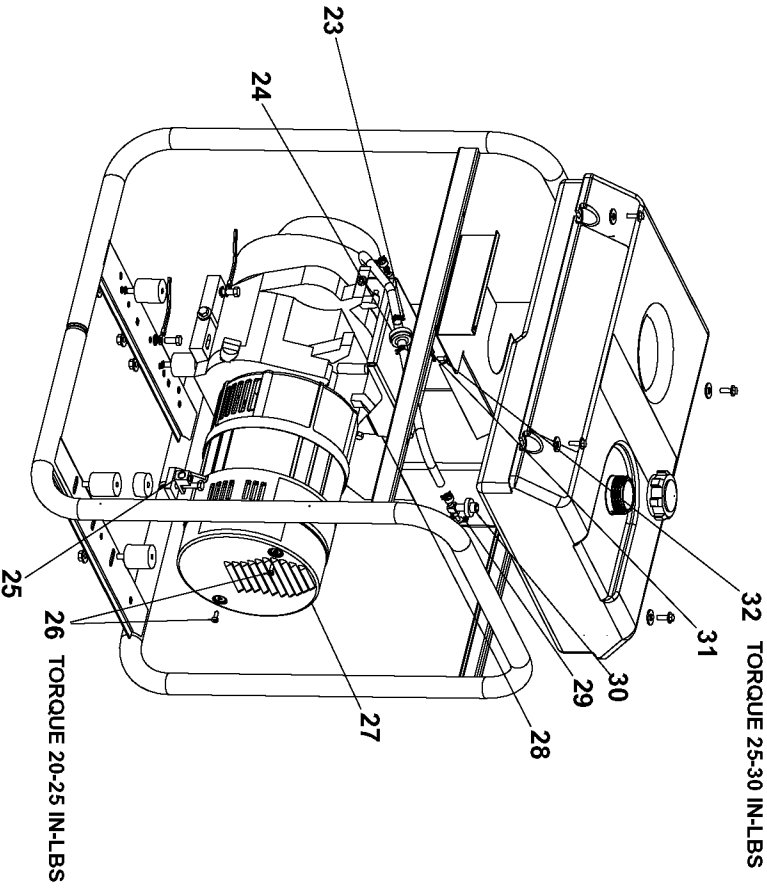
TORQUE 60-70 IN-LBS

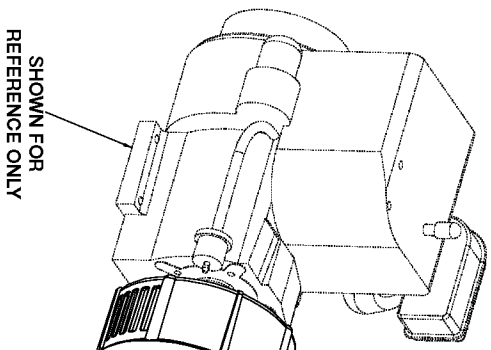
TORQUE 60-70 IN-LBS

TORQUE 120-144 IN-LBS

TORQUE 120-144 IN-LBS







SHOWN FOR REFERENCE ONLY

33 ORIENT WITH VENTS DOWNWARD AS SHOWN

34 TORQUE TO 204-264 IN-LBS

37 TORQUE UNTIL THREADS RUN OUT

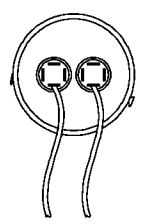
36 TORQUE TO 120-144 IN-LBS 40

BOLT FLANGES TOP PARALLEL WITH ENGINE BASE

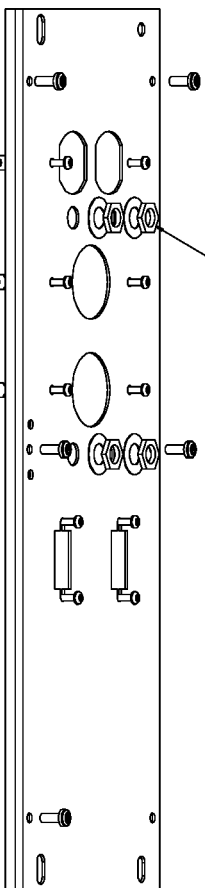
41 TORQUE TO 30-40 IN-LBS

42 TORQUE TO 60-70 IN-LBS

SHOWN FOR REFERENCE ONLY



CAPACITOR WIRING



TORQUE 15-25 IN-LBS

ATTACH SPEED CLIP
PRIOR TO ASSEMBLY
OF DEVICES
TO FACE PLATE

47

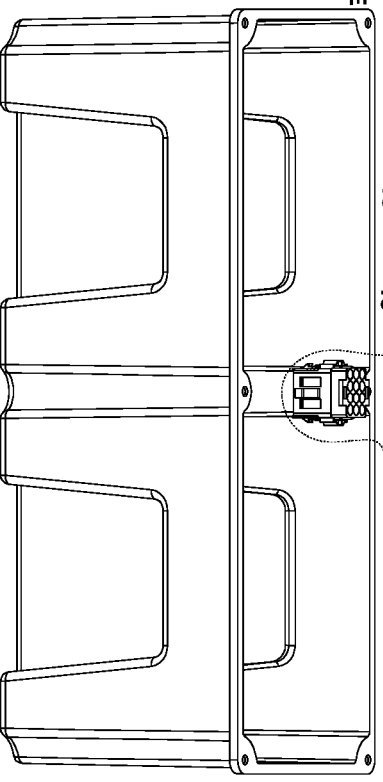
48

49

50

51

WIRING HARNESS PIN PLUG
TO BE SNAPPED INTO OPENING
INSIDE REAR COVER



Parts List for GHV4500S1 Type 0

Item Number	Part Number	Description	Qty Required
1	Z-GS-0795	TANK FUEL 7G SS	1
2	91895680	SCREW .250-20X.750 H	1
3	SSN-632	WASHER .875 OD .375	1
4	GS-0443	CAP FUEL TANK	1
7	91895680	SCREW .250-20X.750 H	1
8	95829230	SCREW .313-18X1.50 H	1
9	000000-00	No Longer Available	1
10	GS-0033	ISOLATOR VIBRATION 1	1
10	GS-0433	ISOLATOR	1
11	SSF-8150	NUT .312-18 UNC HEX	1
12	5140123-06	SCREW	1
13	N017772	LOCK WASHER	1
14	SS-12-CD	SCREW .313-18X.750 H	1
15	GS-0118	STRAP GROUND	1
16	000000-00	No Longer Available	1
17	000000-00	No Longer Available	1
18	GS-0535	UNION REDUCER 1/4 X	1
19	39124607	SCREW .250-20X.625 H	1
20	5130235-00	LOCK WASHER	1
21	Z-A14582	HOSE FUEL	1
23	GS-0227	CLAMP FUEL .50	1
24	GS-0459	FILTER FUEL	1
25	GS-0117	LUG GROUND	1
27	GS-0077	COVER END BLANK	1
29	GS-0437	DRAIN COCK	1
30	N103455	GROMMET	1
31	000000-00	No Longer Available	1

Parts List for GHV4500S1 Type 0

Item Number	Part Number	Description	Qty Required
32	SSF-627	SCREW M5X8.5X12 HEX	1
33	000000-00	No Longer Available	1
34	SSN-619	WASHER .375 SPRING L	1
35	5140125-93	SCREW	1
36	Z-D27809	ASSY GEN 3.255 2D IC	1
36	D29822	KIT SERVICE FOCUS MO	1
37	GS-0110	BOLT STATOR THRU 130	1
38	Z-D27809	ASSY GEN 3.255 2D IC	1
38	D29822	KIT SERVICE FOCUS MO	1
39	330016-13	WASHER	1
40	SSF-576	NUT .313-24 HEX W/KE	1
41	GS-0091-1	BOLT ROTOR THRU 130L	1
42	GS-0681	BREAKER CIRCUIT	1
43	SSF-575	NUT .250-20 HEX W/KE	1
44	GS-0104	CAPACITOR 50 UF	1
45	K-0378	KIT SUPPORT BEARING	1
47	GS-0019	RECEPTACLE 120V 20A	1
48	GS-0480	RECEPTACLE 125V 20A	1
49	GS-0445	RECEPTACLE 4 PRONG T	1
50	Z-GS-0024	BREAKER CIRCUIT 125/	1
51	GS-0045	SWITCH FULL POWER	1
856	GS-0862	O-RING ROTOR BEARING	1
856	GS-0082	DIODE DSA	1