



BOSCH

Portable Planer

GHO 6500 | 3 601 E96 080

Table of Content

Spare parts list.....	2
Illustration - Type.....	4

Spare parts list

Item	Part Number	Description
1	1 619 PA7 989	Motor Housing
2	1 619 PA7 991	Field 220-240V
3	1 619 PA7 993	Armature 220-240V
4	1 619 PA7 983	Switch Kit
5	1 619 PA7 977	Power supply cord
6	1 619 PA8 026	Grommet
7	1 619 PA7 982	Clamping Piece
12	1 619 PA7 985	Suppression Capacitor
13	1 619 PA7 994	groove ball bearing
14	1 619 PA7 998	groove ball bearing
16	1 619 PA7 995	Carbon Brush Holder
22	1 619 PA7 986	Handle
23	1 619 PA7 987	Cover
24	1 619 PA7 988	Brush-Cover
25	1 619 PA7 992	Air-Deflector Ring
26	1 619 PA7 981	Connecting Cable
27	1 619 PA7 999	groove ball bearing
28	1 619 PA8 035	Bearing Flange
29	1 619 PA8 000	Pulley
30	1 619 PA8 001	Pulley
31	1 619 PB5 920	V-Belt
32	1 619 PA8 003	Gear Cover
33	1 619 PA8 004	Cover
34	1 619 PA8 006	Cap Nut
35	1 619 PA8 005	Adjustment Knob
36	1 619 PA7 990	Cover
37	1 619 PA8 007	Retaining snap ring
38	1 619 PA8 008	Compression Spring
39	1 619 PA8 009	Adjusting Plate
40	1 619 PA8 011	Spring
41	1 619 PA8 012	Knife Guard
42	1 619 PA8 010	Base Plate
43	2 600 905 051	groove ball bearing 7x19x6
44	1 619 PA8 013	Cutting Head
45	2 609 110 357	Planing Knife

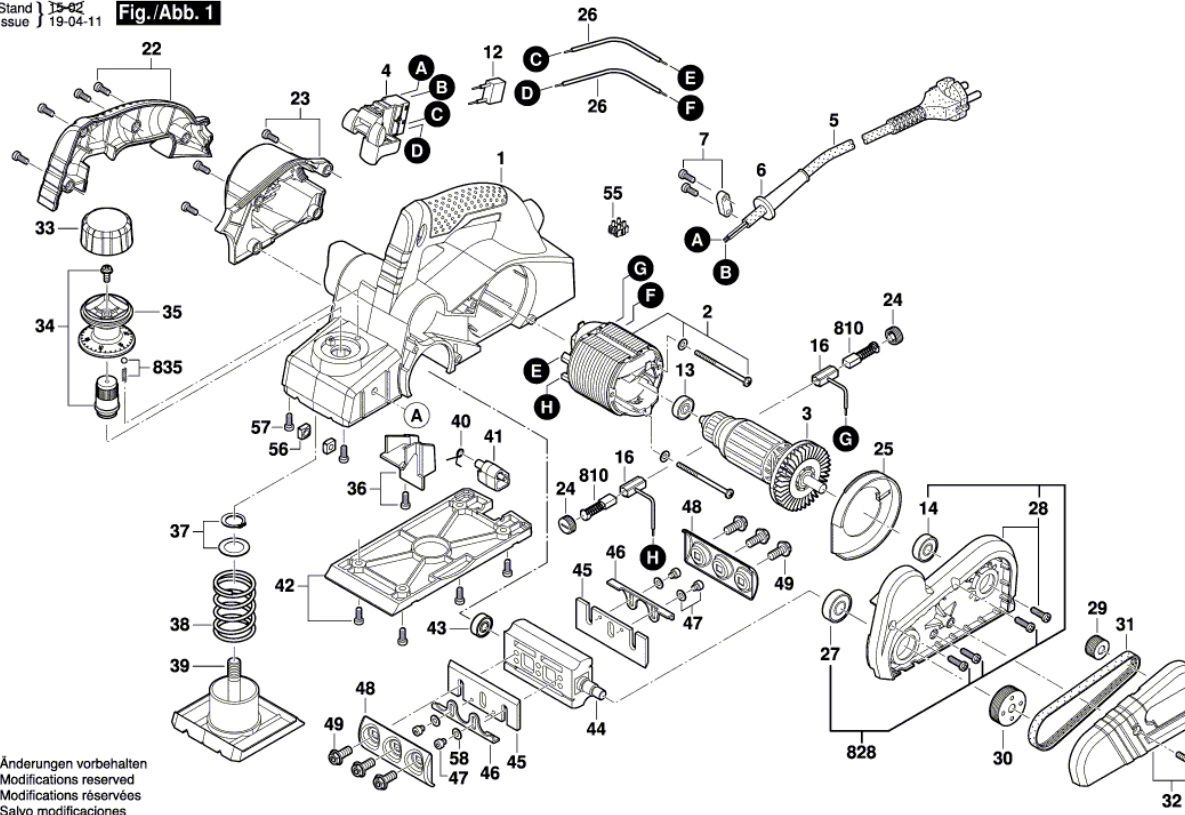
Spare parts list

Item	Part Number	Description
46	2 602 316 001	Stop Holding Device
47	2 603 433 001	Torx Oval-Head Screw
48	2 609 110 064	Clamping jaws
49	2 609 110 084	Straining Screw
55	1 619 PA8 720	Socket
56	2 603 320 004	Square Nut M6
57	1 619 PA8 722	Screw
58	2 916 069 088	Spring Washer
810	2 609 120 398	Carbon Brush
828	1 619 PA7 997	Bearing Flange
835	1 619 PB4 296	Spring
651	1 619 PA8 020	Guide Bracket
652	2 607 970 002	Feeler Gauge
653	2 607 950 025	Hexagon-Socket Key
654	2 608 133 002	Blade Sharpening Device

Illustration - Type - E

3 601 E96 080
 Stand } 15-02
 Issue } 19-04-11

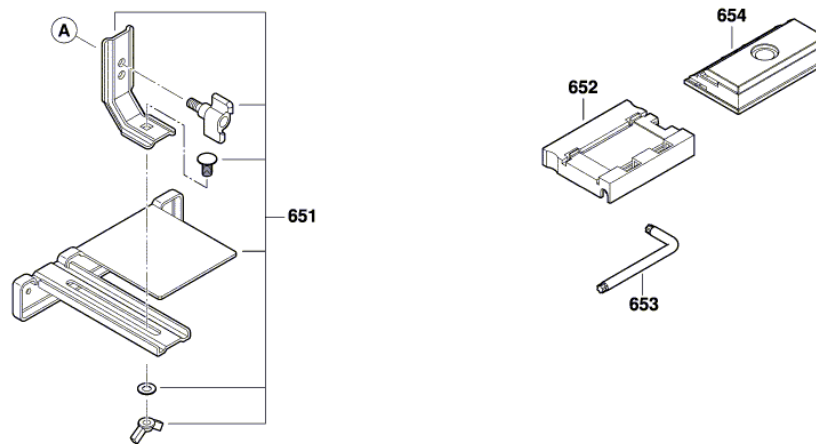
Fig./Abb. 1



Änderungen vorbehalten
 Modifications reserved
 Modifications réservées
 Salvo modificaciones

Illustration - Type - E

3 601 E96 080
Stand } 15-01-20 **Fig. /Abb. 2**
Issue }



Änderungen vorbehalten
Modifications reserved
Modifications réservées
Salvo modificaciones