



BOSCH

Portable Planer

GHO 31-82 | 0 601 593 134

Table of Content

Spare parts list.....	2
Illustration - Type.....	5

Spare parts list

Item	Part Number	Description	Illustration
2	2 609 120 464	Field 120V	1
3	2 604 010 762	Armature 110-115V	1
3/50	2 606 610 049	Fan	1
4	2 607 200 251	Switch	1
5	2 604 460 185	Power supply cord USA/CDN 2,15m 2 x 082mm SJ 18/2	1
6	1 600 703 033	Grommet Ø8,3-Ø10,5x81 MM	1
7	2 601 035 001	Cable Clip	1
9	2 601 118 663	Manufacturer's nameplate SUNNY SIDE	1
13	2 600 905 051	groove ball bearing 7x19x6	1
14	2 600 905 052	groove ball bearing 8x22x7	1
16	2 604 449 027	Brush Holder	1
18	2 603 410 001	Socket head cap screw M3x6,5-4.8	1
20	1 601 110 481	Manufacturer's nameplate SHADOW SIDE	1
25	2 605 719 003	Bearing Flange BLACK	1
26	2 606 110 001	Adjusting Eccentric	1
27	2 600 917 003	Needle-Roller Bearing Ø8x8 MM	1
28	2 600 324 009	Toothed Belt Wheel Z=19	1
29	2 606 625 009	Toothed Belt Wheel Z=43	1
30	2 602 026 004	Rotary Handle BLACK	1
31	2 609 995 917	Toothed Belt 17 MM, Z=89	1
32	2 605 510 064	Gear Cover BLACK	1
33	2 601 120 002	Scale Plate	1
34	2 605 500 105	Cap-Handle	1
35	2 605 510 063	Brush-Cover BLACK	1
37	2 605 819 004	Bearing Bracket	1
38	2 601 098 036	Sheet metal cover	1
39	2 600 324 008	Guide Bushing	1
40	2 600 290 009	Air-Deflector Ring	1
41	2 601 290 016	Spring Plate	1
42	2 603 435 027	Thread-forming tap. Screw M 5x12 MM	1
43	2 917 800 053	Coiled Spring Pin DIN 7343-5x2,5	1
44	2 603 320 004	Square Nut M6	1
45	2 604 651 007	Torsion Spring	1
47	2 601 254 000	Ratchet Spring	1

Spare parts list

Item	Part Number	Description	Illustration
48	2 603 433 000	Screw and washer assembly	1
49	2 605 133 026	Handle Plate	1
50	2 917 800 303	Coiled Spring Pin DIN 7343-3,5x8 MM	1
51	2 600 100 041	Plain Washer DIN 315-M8-GT-C	1
52	1 600 100 632	Shim 0,2 MM THICK	1
53	2 916 011 010	Plain Washer DIN 125-A4,3-ST	1
54	2 607 950 025	Hexagon-Socket Key	1
55	2 600 905 064	groove ball bearing 10x26x8	1
57	2 604 448 196	Connecting Cable	1
58	2 603 490 023	Torx Oval-Head Screw 4x20	1
60	2 600 409 022	Deflector Pipe BLACK	1
71	2 605 510 135	Clamping Jaw	1
72	2 603 320 003	Square Nut M8	1
73	2 603 342 006	Round Nut M6 LEFTHAND THREADS	1
75	2 603 100 053	Rubber Buffer	1
81	2 601 329 053	Contact Strap	1
86	2 603 400 014	Set screw	1
87	2 603 450 005	Hex Screw	1
200	2 602 316 001	Stop Holding Device	1
201	2 603 433 001	Torx Oval-Head Screw	1
202	2 916 069 088	Spring Washer	1
203	2 603 414 028	Straining Screw	1
771/1	2 608 040 039	Grip-Spring Tensioning E	1
771/10	2 608 635 341	Planing Knife	1
774	2 607 000 193	Set of knives	1
774	2 607 000 194	Set of knives	1
801	2 605 190 914	Housing	1
808	1 601 11A 3H3	Nameplate	1
810	2 604 321 905	Carbon-Brush Set	1
819	2 603 490 022	Screw 4x16	1
827	2 600 905 037	groove ball bearing 6x19x6	1
870	2 603 204 906	Planer Head	1
876	2 601 329 055	Knife Guard	1
655	2 607 001 045	Depth-Gauge	2
782	2 608 133 003	Blade Sharpening Device	2

Spare parts list

Item	Part Number	Description	Illustration
783	2 607 970 003	Feeler Gauge	2
786	2 609 170 013	Dust Bag	2
787	2 605 438 119	Carrying Case GRAY	2
788	2 605 702 022	Suction Connector	2
789	2 607 000 102	Parallel-Guide	2
795	2 607 001 077	Width Stop	2
796	2 607 001 106	Knife Guard	2
798	0 603 095 000	Straightening Device	2
799	0 603 095 002	Base	2

Illustration - Type - E

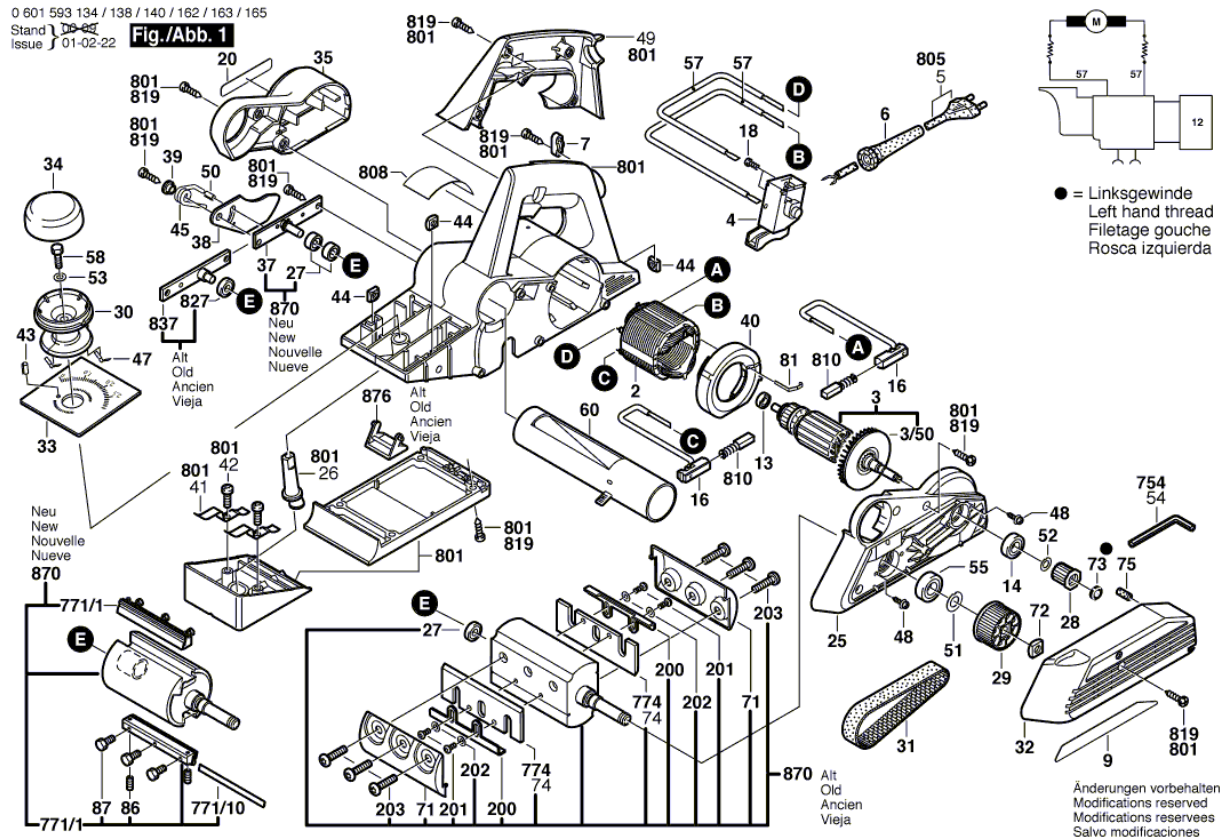


Illustration - Type - E

0 601 593 134
Stand | 08-07
Issue | 08-06-04 **Fig./Abb. 2**

