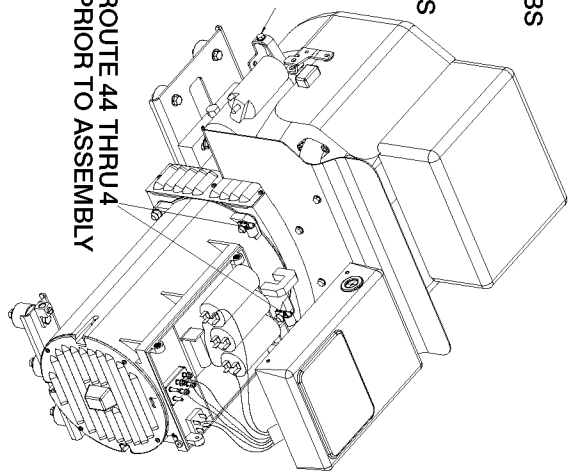
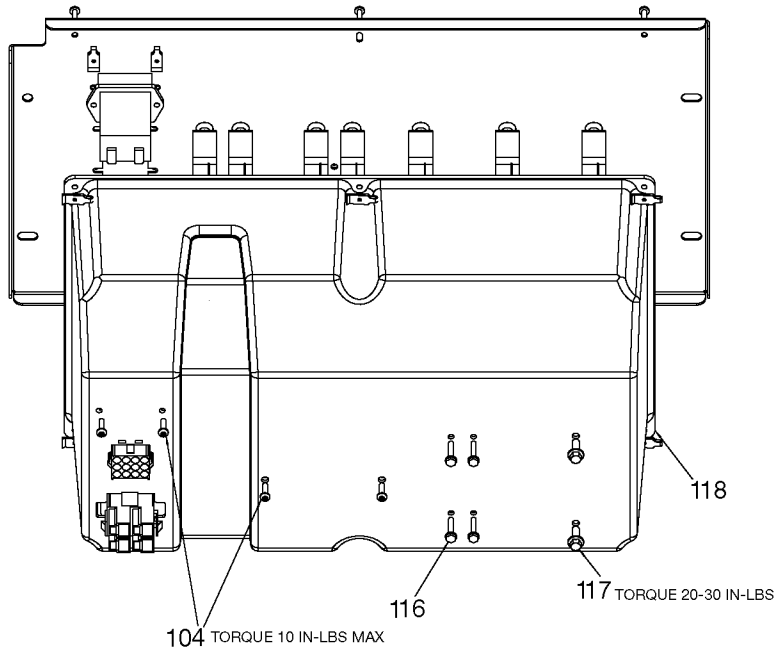
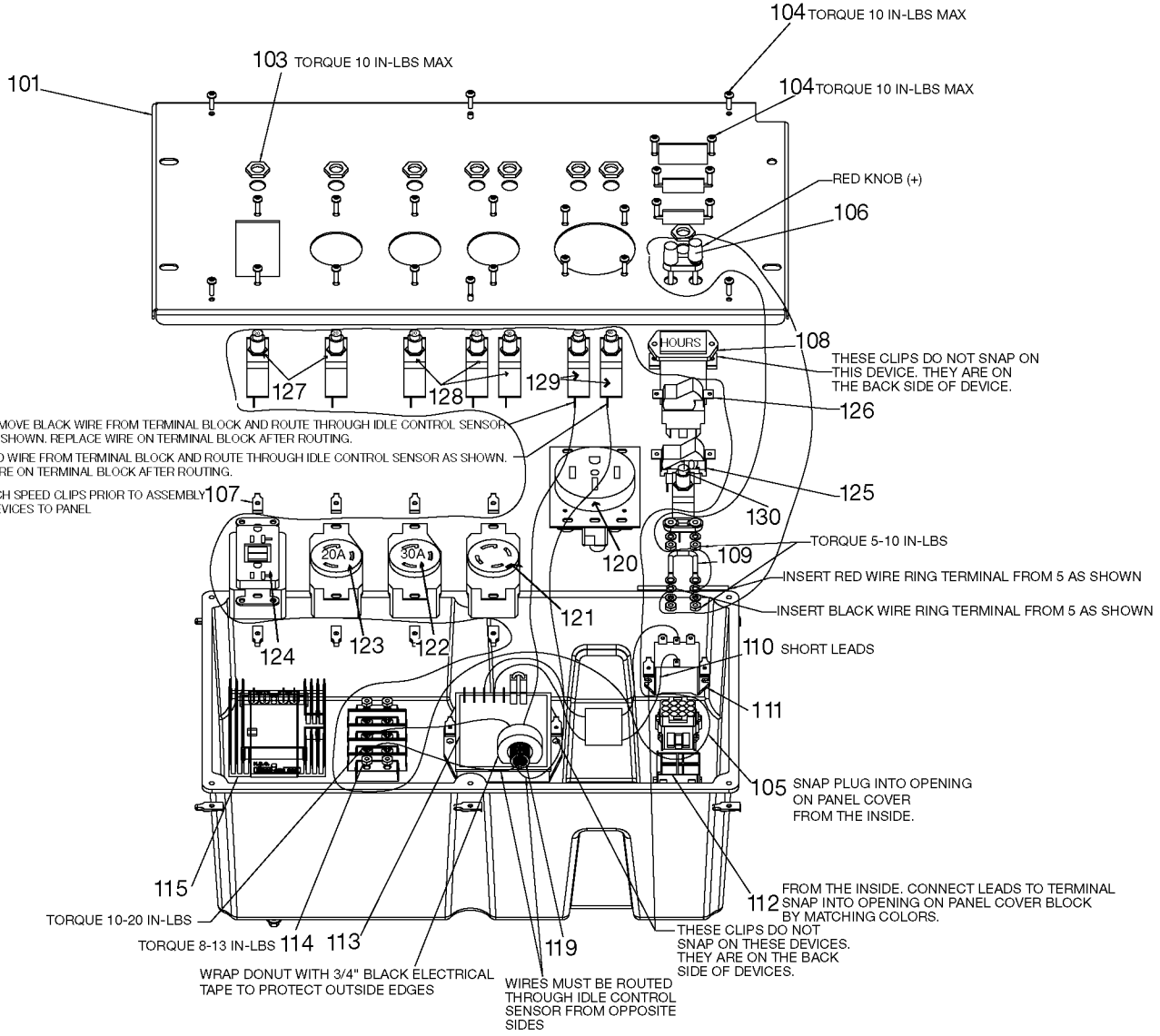


TORQUE
60-70 IN-LBS 41

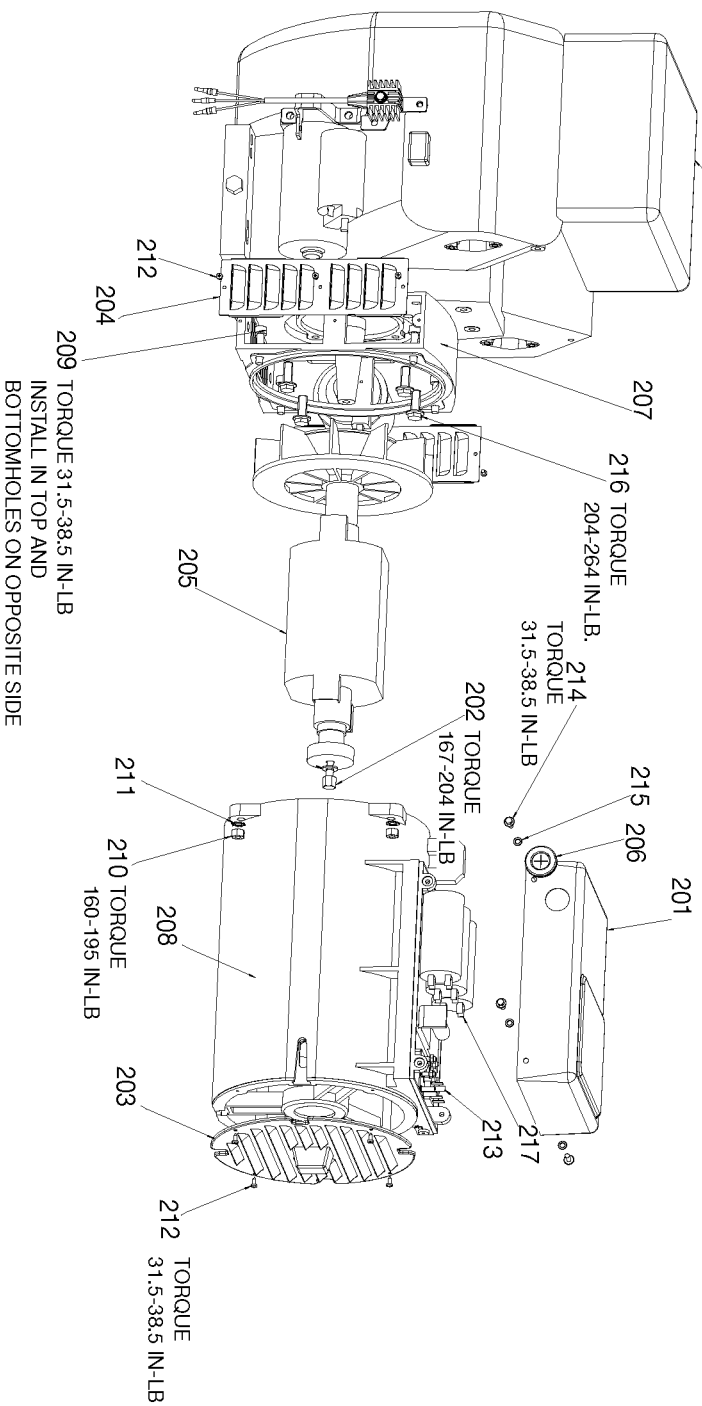
REMOVE EXISTING WASHER
AND NUT AND INSTALL WIRES
AS SHOWN. TORQUE 96-120 IN-LBS.

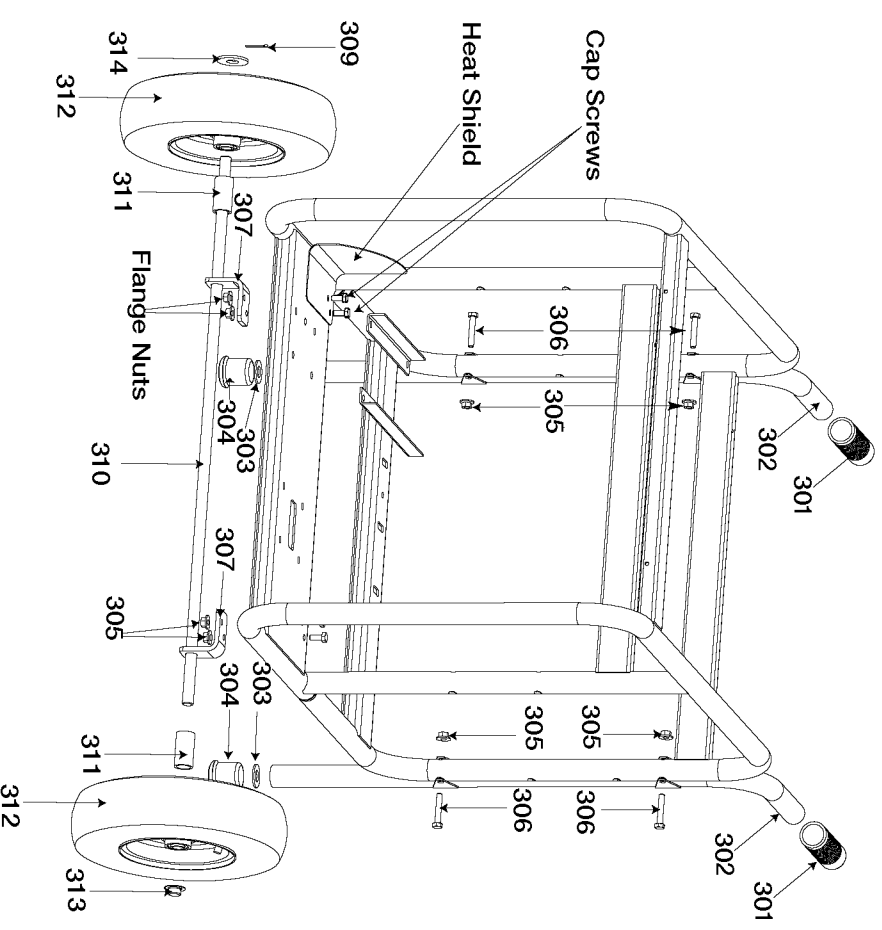
ROUTE 44 THRU 4
PRIOR TO ASSEMBLY





ENGINE SHOWN FOR REFERENCE ONLY





Parts List for GHE10000-WK Type 0

Item Number	Part Number	Description	Qty Required
1	Z-GS-0795	TANK FUEL 7G SS	1
2	000000-00	No Longer Available	1
3	Z-A14582	HOSE FUEL	1
4	000000-00	No Longer Available	1
4	000000-00	No Longer Available	1
5	GS-0863	CAP FUEL W/GAUGE	1
6	91895680	SCREW .250-20X.750 H	1
7	SSN-632	WASHER .875 OD .375	1
8	GS-0227	CLAMP FUEL .50	1
9	GS-0033	ISOLATOR VIBRATION 1	1
10	SSF-8150	NUT .312-18 UNC HEX	1
11	000000-00	No Longer Available	1
12	000000-00	No Longer Available	1
13	SS-12-CD	SCREW .313-18X.750 H	1
14	000000-00	No Longer Available	1
19	N017772	LOCK WASHER	1
20	GS-0118	STRAP GROUND	1
21	330016-13	WASHER	1
22	SSF-3121-ZN	SCREW .313-18X1.75 H	1
23	GS-0117	LUG GROUND	1
24	5140123-06	SCREW	1
25	000000-00	No Longer Available	1
26	N103455	GROMMET	1
27	GS-0437	DRAIN COCK	1
29	000000-00	No Longer Available	1
30	000000-00	No Longer Available	1
31	D21829	SCREW M8X1.25X25 HEX	1

Parts List for GHE10000-WK Type 0

Item Number	Part Number	Description	Qty Required
32	000000-00	No Longer Available	1
33	000000-00	No Longer Available	1
36	000000-00	No Longer Available	1
37	000000-00	No Longer Available	1
38	D21952	BRACKET BATTERY 10KW	1
40	D21953	BOLT J BATTERY 10KW	1
41	000000-00	No Longer Available	1
42	000000-00	No Longer Available	1
43	000000-00	No Longer Available	1
44	000000-00	No Longer Available	1
44	000000-00	No Longer Available	1
44	D21946	CABLE BATTERY POS 38	1
44	D22071	BOOT TOP POST POSITI	1
46	000000-00	No Longer Available	1
47	000000-00	No Longer Available	1
48	000000-00	No Longer Available	1
49	000000-00	No Longer Available	1
50	95829230	SCREW .313-18X1.50 H	1
101	000000-00	No Longer Available	1
103	SSF-595	NUT .438-28 UNEF HEX	1
104	SSF-583	SCREW #6-32X.500 PAN	1
105	000000-00	No Longer Available	1
106	Z-GS-0728	ASSY BINDING POST SS	1
107	SSF-584	NUT #6-32 SPEED SELF	1
108	GS-0735	METER HOUR	1
109	GS-0835	ASSY RESISTOR DC SHU	1
110	000000-00	No Longer Available	1

Parts List for GHE10000-WK Type 0

Item Number	Part Number	Description	Qty Required
111	D21758	RELAY IDLE CONTROL P	1
112	000000-00	No Longer Available	1
113	D21757	ECOLOGIZER MECC ALTE	1
114	000000-00	No Longer Available	1
115	000000-00	No Longer Available	1
117	000000-00	No Longer Available	1
118	000000-00	No Longer Available	1
119	000000-00	No Longer Available	1
120	D22273	RECEPTACLE 14-50R 12	1
121	GS-0455	RECEPTACLE 4 PRONG 3	1
122	GS-0021	RECEPTACLE 125V 30A	1
123	GS-0480	RECEPTACLE 125V 20A	1
124	GS-0644	RECEPTACLE GFCI 120V	1
125	GS-0679	SWITCH IDLE CONTROL	1
126	GS-0046	SWITCH OFF - ON / ST	1
127	D21508	BREAKER CIRCUIT	1
128	GS-0026	BREAKER CIRCUIT 125/	1
129	D21943	BREAKER CIRCUIT	1
130	GS-0681	BREAKER CIRCUIT	1
201	000000-00	No Longer Available	1
202	D21765	BOLT ROTOR 10KW MECC	1
203	000000-00	No Longer Available	1
204	000000-00	No Longer Available	1
205	D21676	GENSET 10KW MECC ALT	1
206	000000-00	No Longer Available	1
207	000000-00	No Longer Available	1
208	D21676	GENSET 10KW MECC ALT	1

Parts List for GHE10000-WK Type 0

Item Number	Part Number	Description	Qty Required
209	000000-00	No Longer Available	1
210	000000-00	No Longer Available	1
211	000000-00	No Longer Available	1
212	000000-00	No Longer Available	1
213	D21942	RECTIFIER 35A MECC A	1
214	000000-00	No Longer Available	1
215	000000-00	No Longer Available	1
216	SSF-3140-ZN	SCREW .375-16X1.00 H	1
217	D22205	CAPACITOR 35UF AUX M	1
301	A17036	GRIP HANDLE HORZ WB	1
302	000000-00	No Longer Available	1
303	91890228	WASHER 5/8 X 1.32 X	1
304	000000-00	No Longer Available	1
305	SSF-8150	NUT .312-18 UNC HEX	1
306	SSF-3121-ZN	SCREW .313-18X1.75 H	1
307	A11291	BRACKET WHEEL 10KW P	2
308	SS-12-CD	SCREW .313-18X.750 H	1
309	SSN-622	PIN COTTER 7/64 X 1.	1
310	D21722	AXLE 10KW	1
311	GS-0213-1	SPACER AXLE	1
312	A11292	WHEEL PNUEMATIC 12.2	2
313	SSF-591	WASHER .625 PUSH NUT	2
314	SSN-623	WASHER FLAT STEEL 1.	1